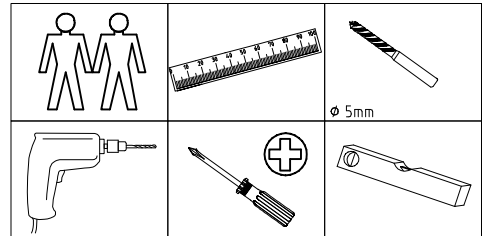
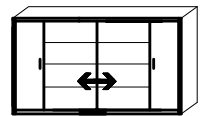
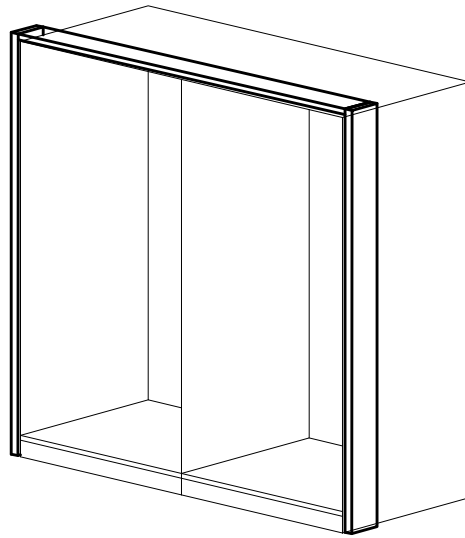
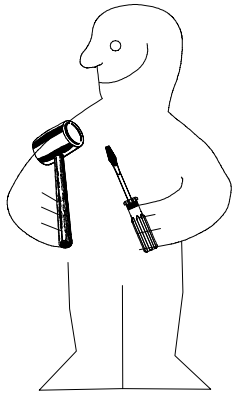
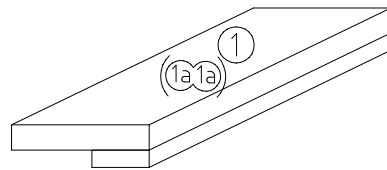
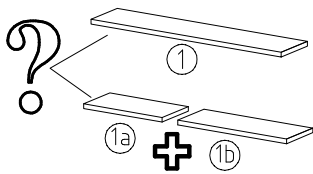


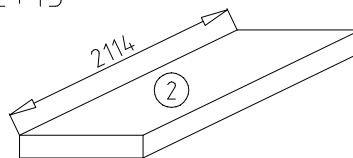
980012



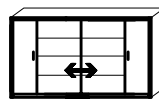
φ 5mm



120 x 22+15

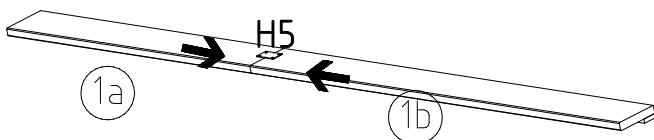
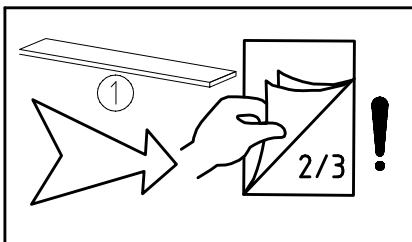


2x 188 x 32

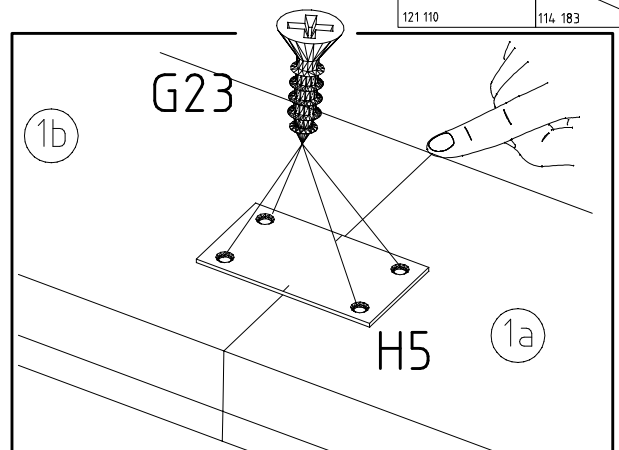


<b>SP27</b> 4 X 27mm 122620	10x 12x
<b>H5</b> 114 183 4,0 x 15 mm G23	1x
<b>G23</b> 121 110 121 xxx	4x
<b>SP51</b> 4 X 50 mm	6x 8x

1



4,0 x 15 mm G23 121 110	<b>H5</b> 114 183
-------------------------------	----------------------



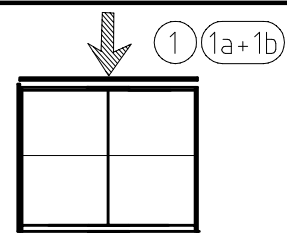
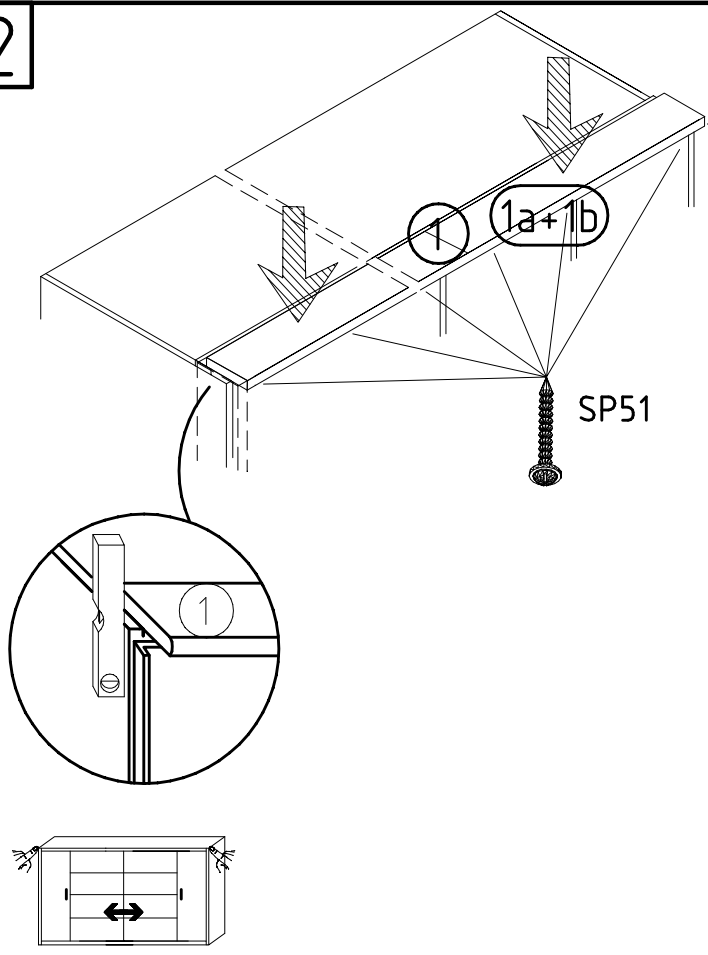
980012

01.04.16 / -

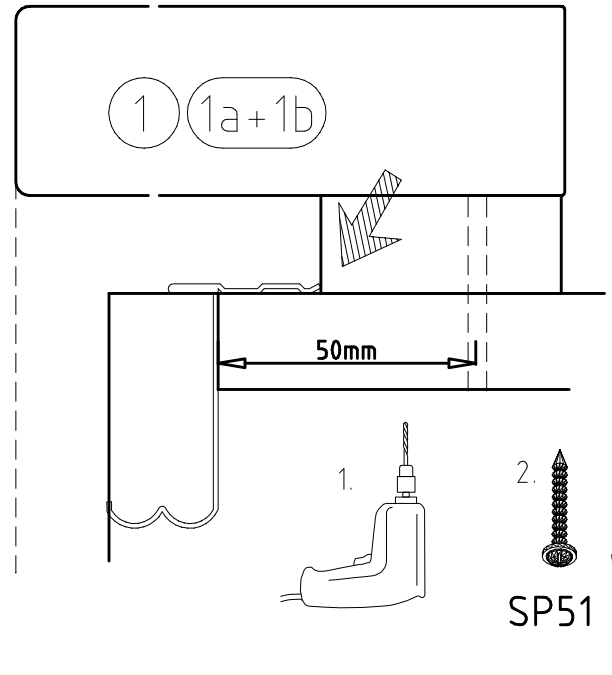
04 16

1/3

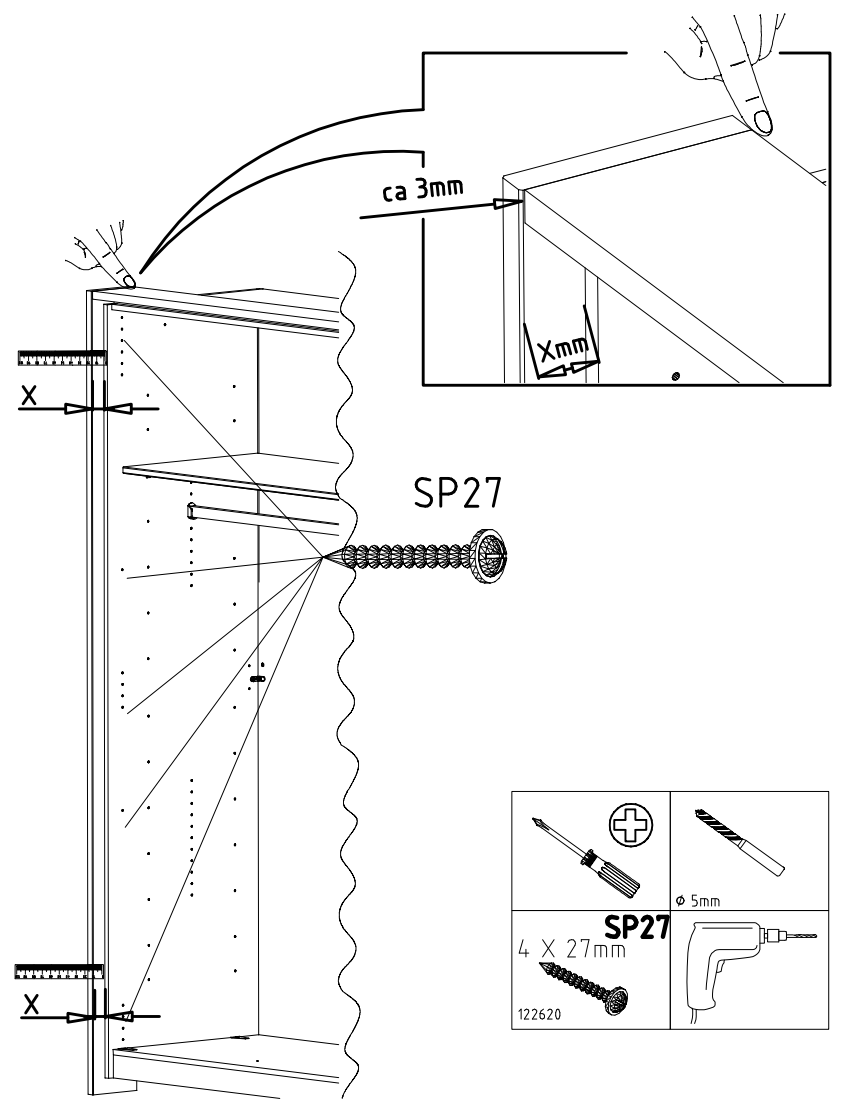
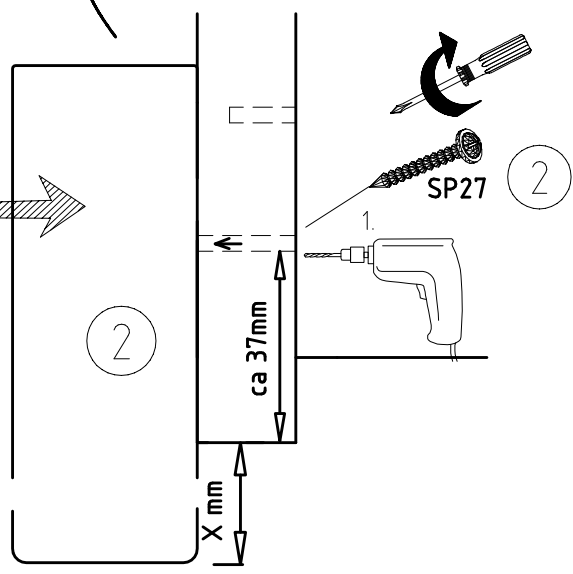
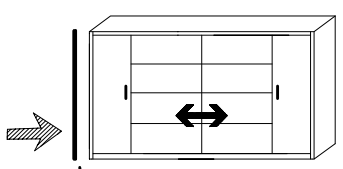
2



$\oplus$	$\oplus$
121 xxx	SP51
4 X 50 mm	$\phi$ 5mm



3



$\oplus$	$\oplus$
4 X 27mm	SP27
122620	$\phi$ 5mm

