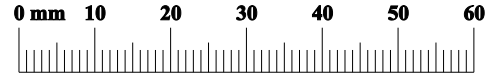
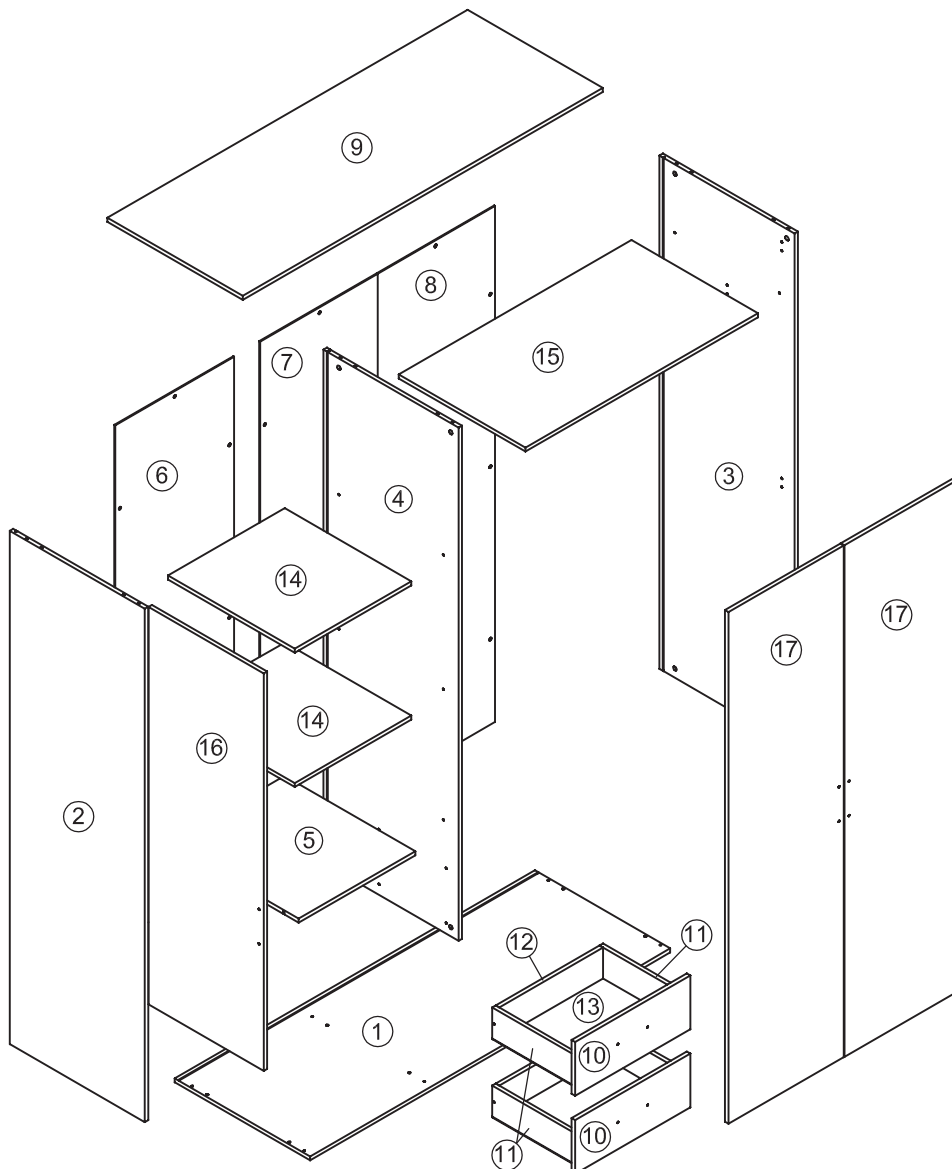


1/3

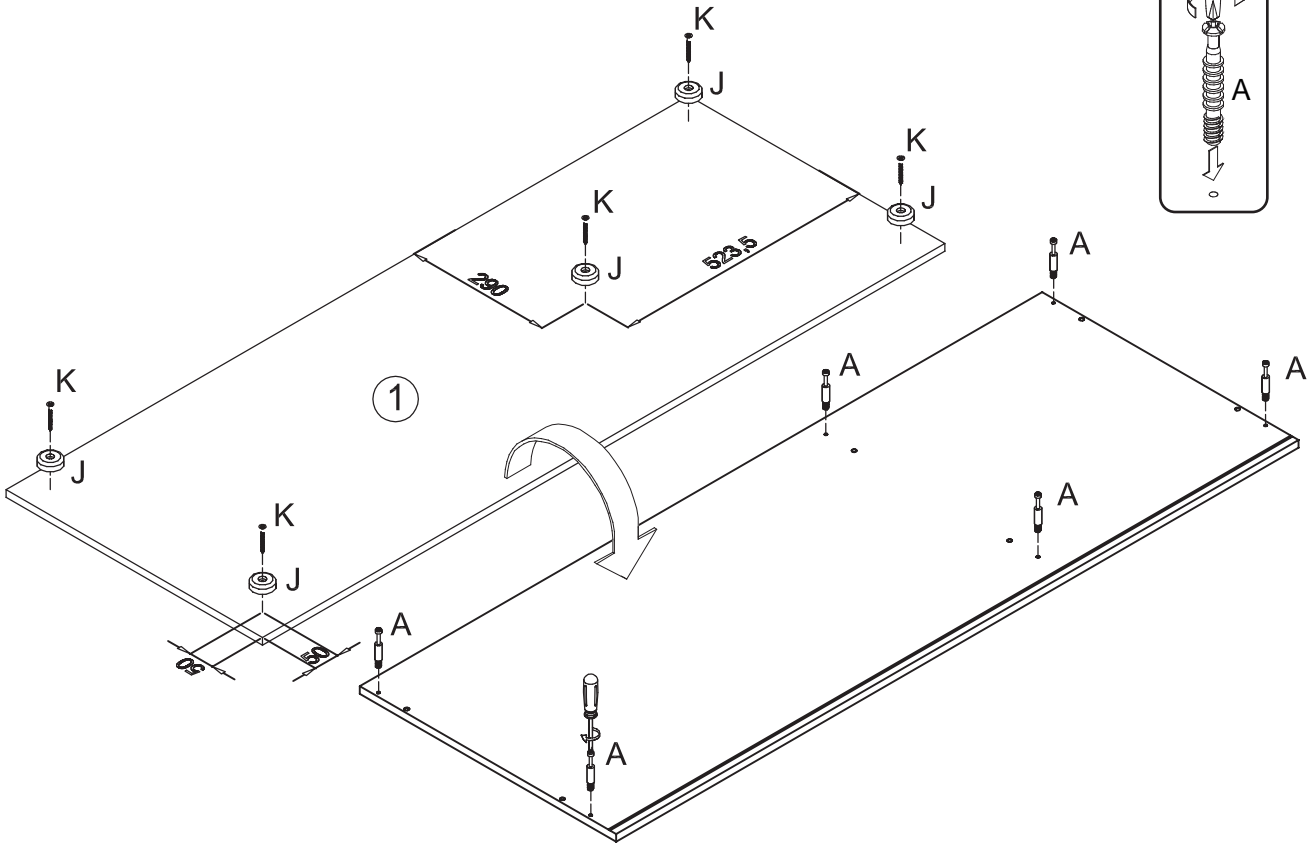
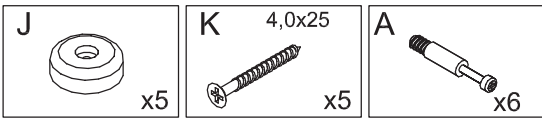


Nr	Ausmaß	Stücke	Colli
1	1544x580x15	1	1/3
2	1905x579x15	1	3/3
3	1905x579x15	1	3/3
4	1905x579x15	1	3/3
5	500x560x15	1	2/3
6	1915x510x3	1	3/3
7	1915x503x3	1	3/3
8	1915x503x3	1	3/3
9	1544x580x15	1	1/3

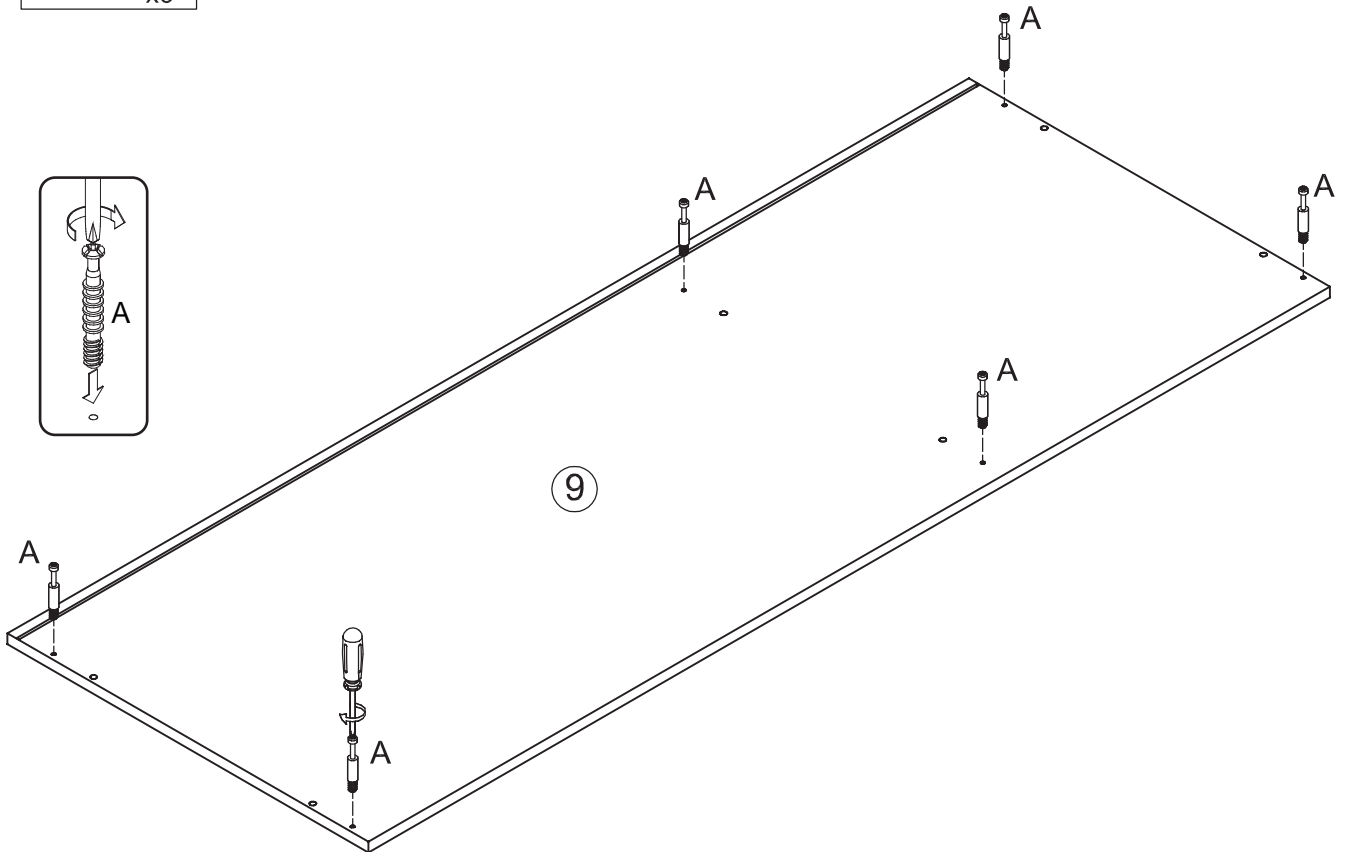
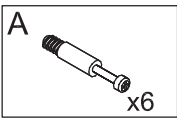
Nr	Ausmaß	Stücke	Colli
10	494x200x15	2	2/3
11	350x115x15	4	1/3
12	445x115x15	2	1/3
13	473x356x3	2	1/3
14	500x543x15	2	2/3
15	997x543x15	1	1/3
16	1475x494x15	1	2/3
17	1899x494x15	2	2/3



1

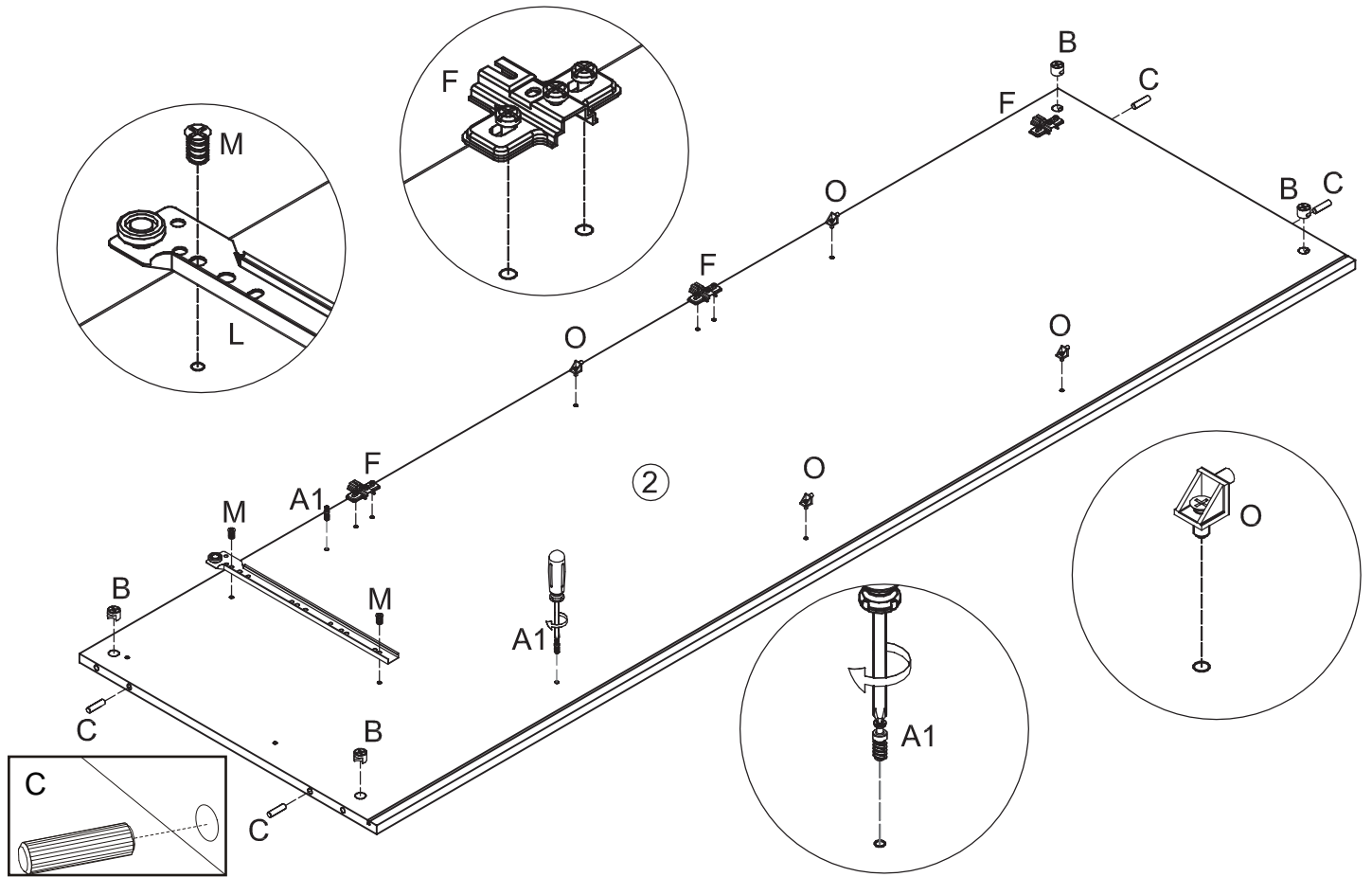


2



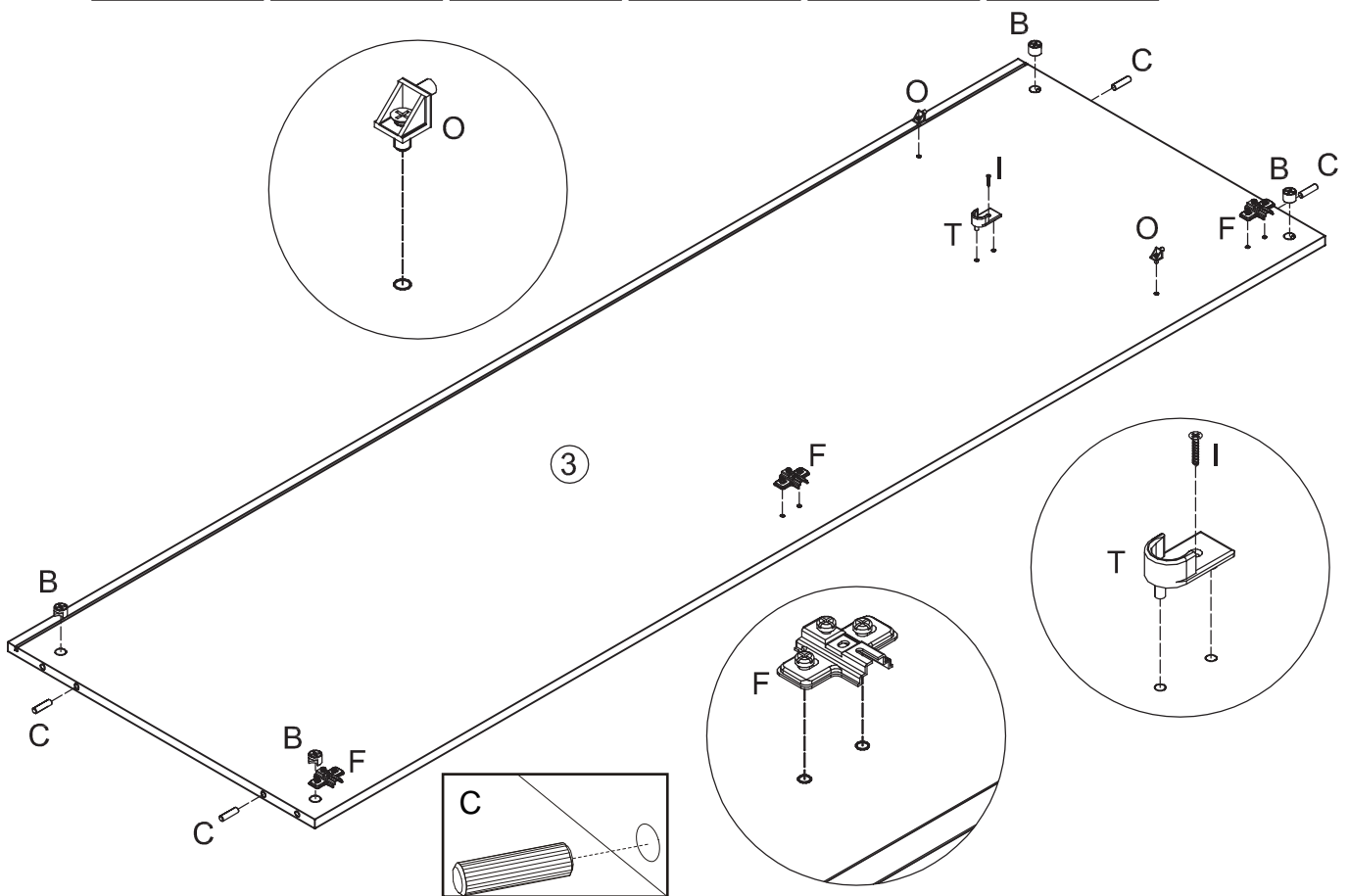
3

- C  $\varnothing 8 \times 30$   
x4
- L  
x1
- M 6,0x10  
x2
- F  
x3
- O  
x4
- A1  
x2
- B  
x4



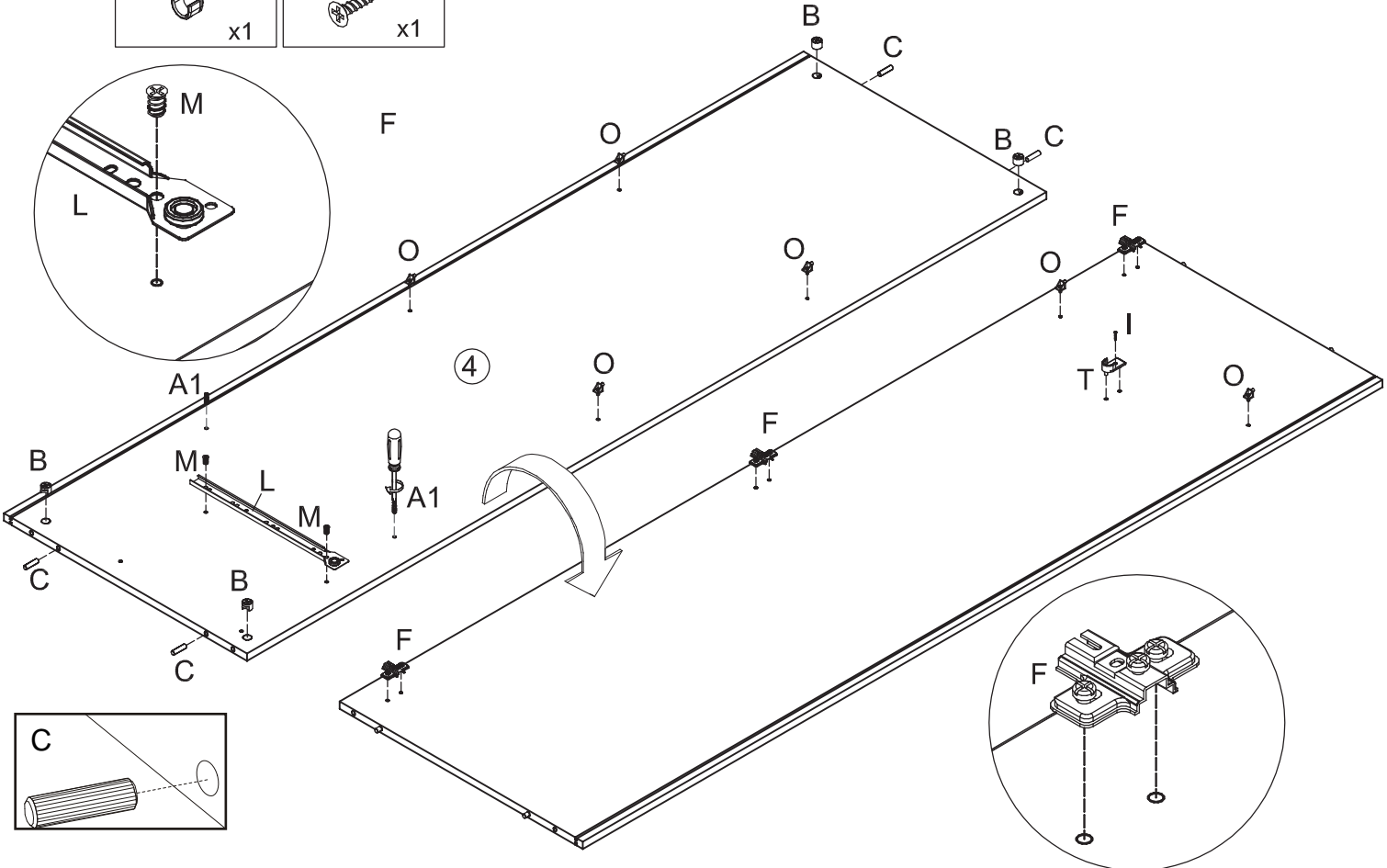
4

- C  $\varnothing 8 \times 30$   
x4
- F  
x3
- O  
x2
- T  
x1
- I 3,5x15  
x1
- B  
x4



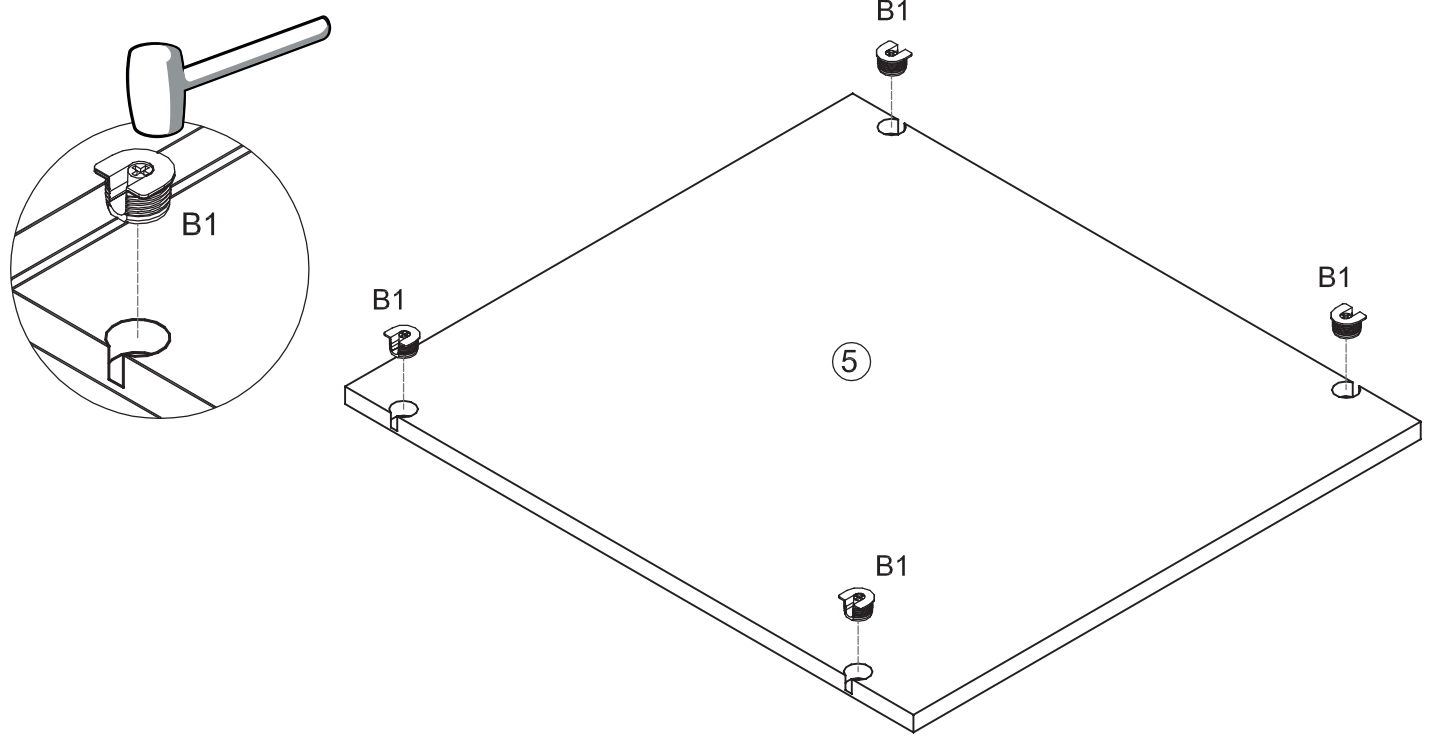
5

- C** Ø8x30 x4
- L** x1
- M** 6,0x10 x2
- F** x3
- O** x6
- A1** x2
- B** x4
- T** x1
- I** 3,5x15 x1

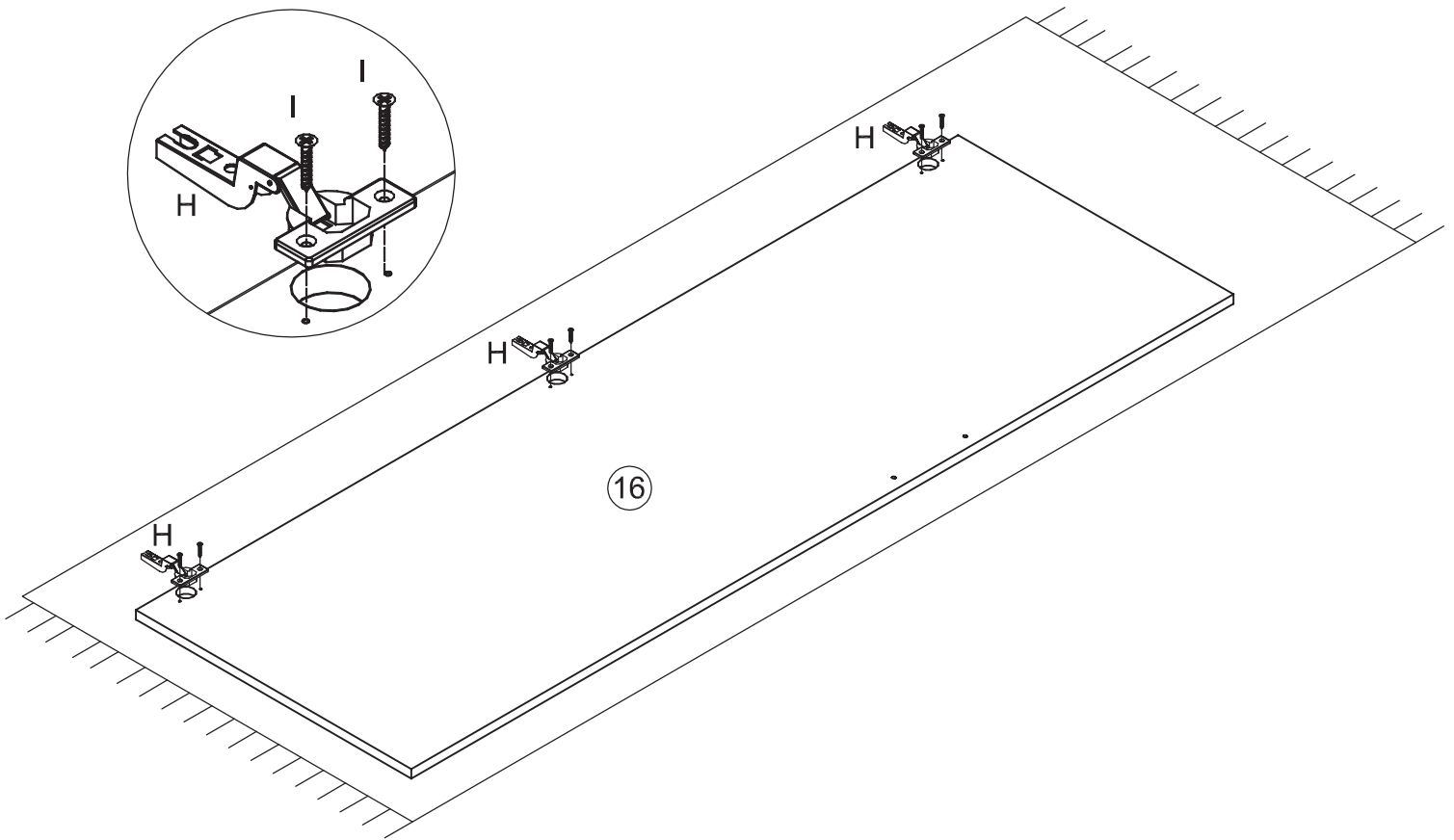
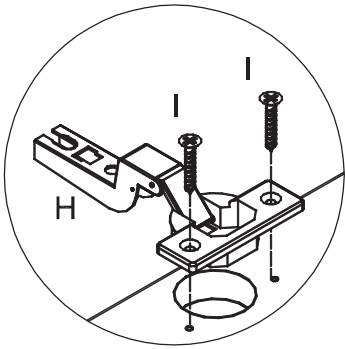
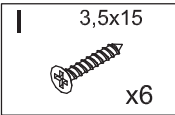
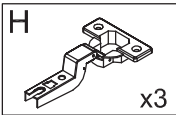


6

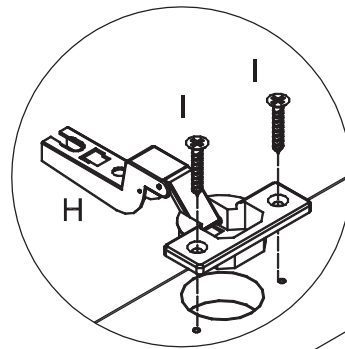
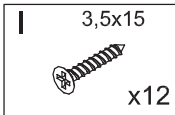
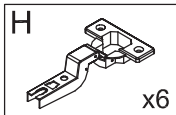
- B1** x4



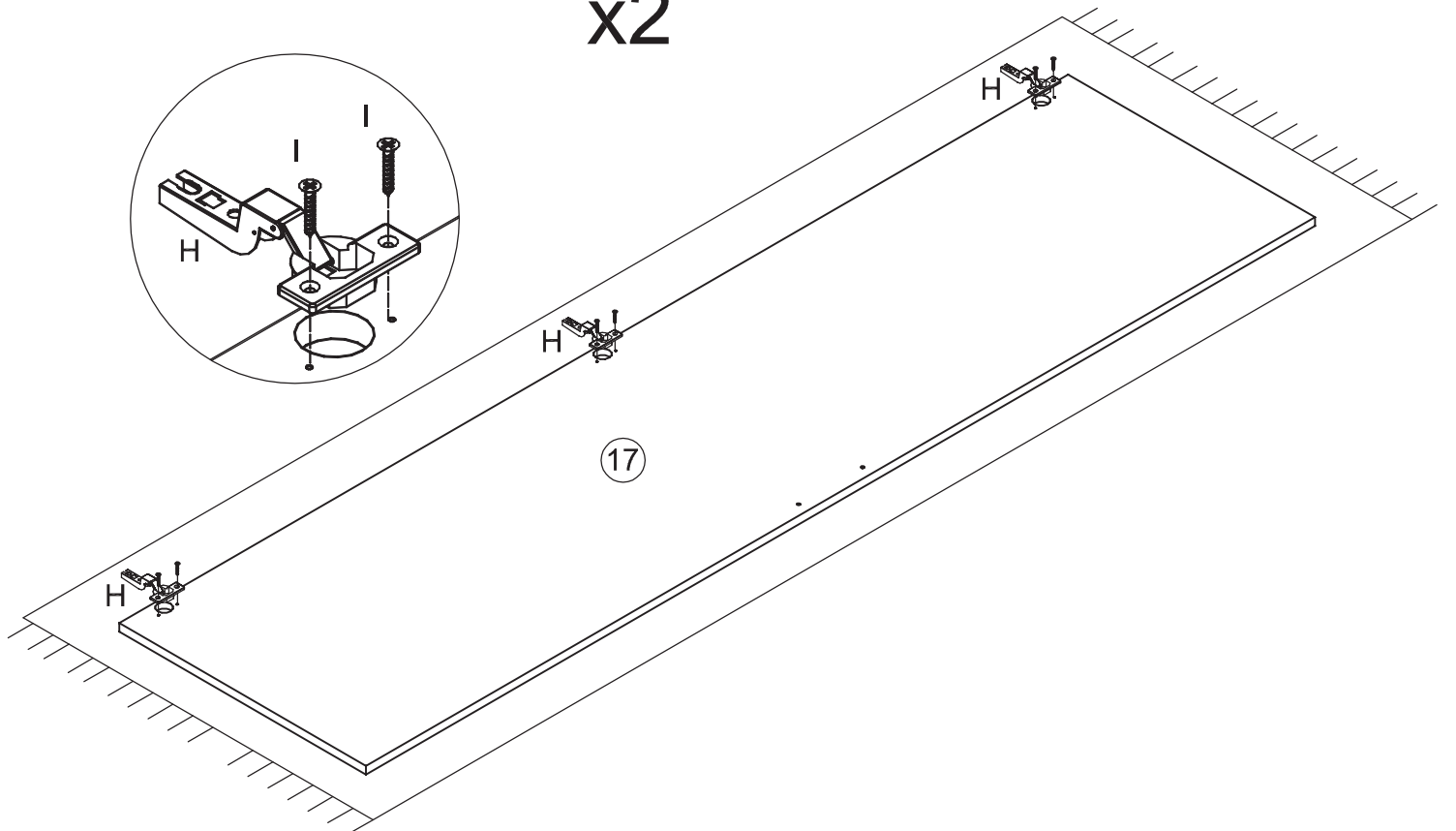
7



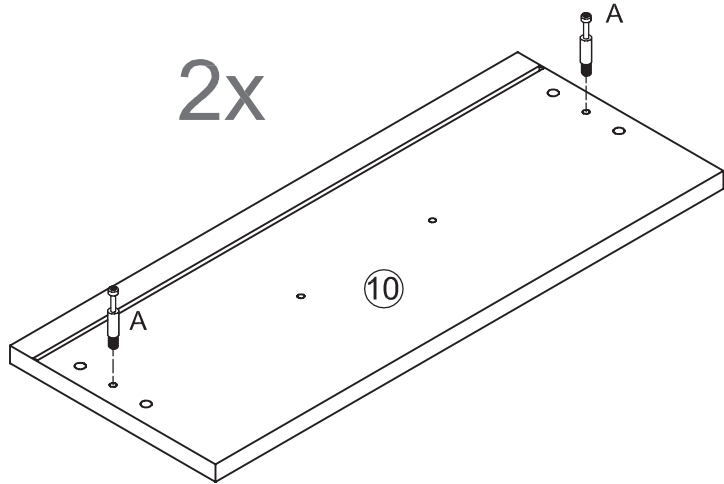
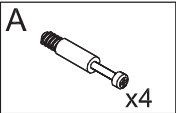
8



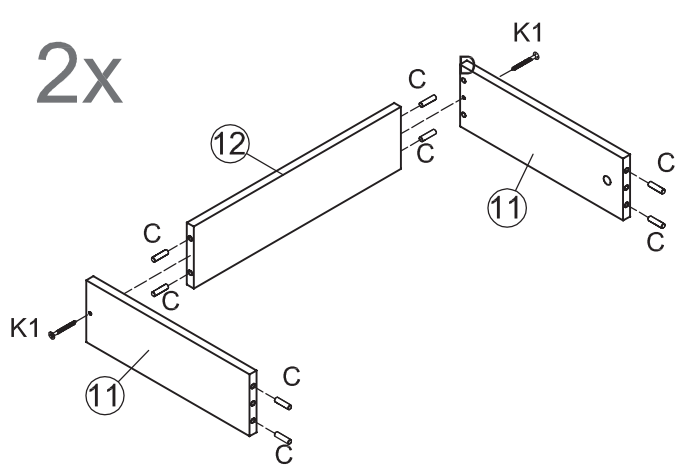
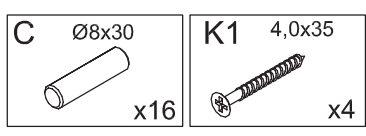
x2



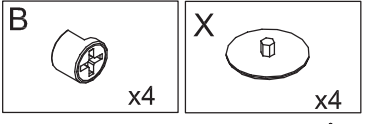
9a



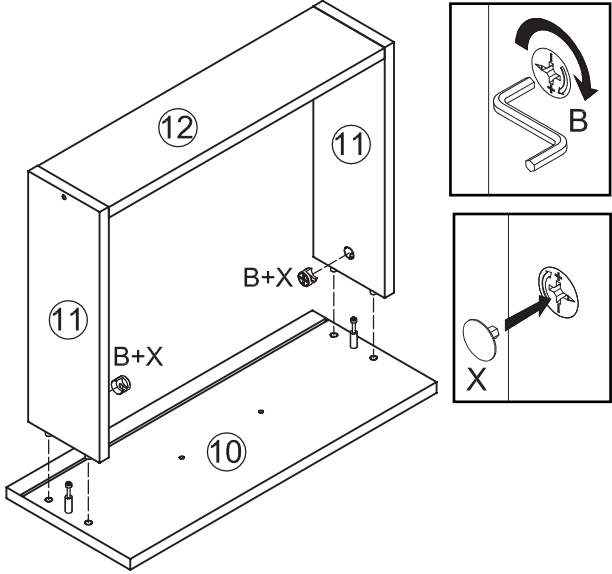
9b



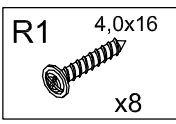
9c



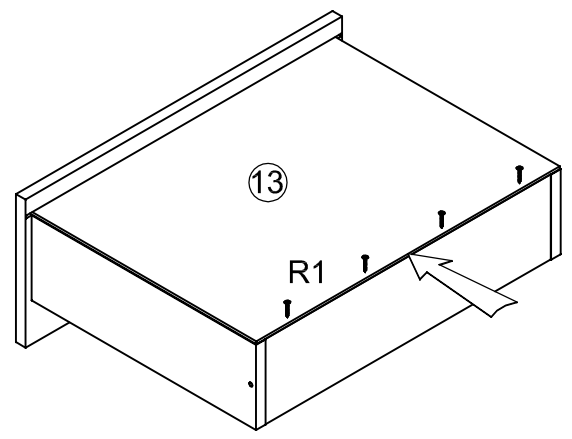
2x



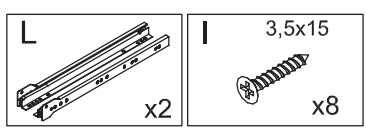
9d



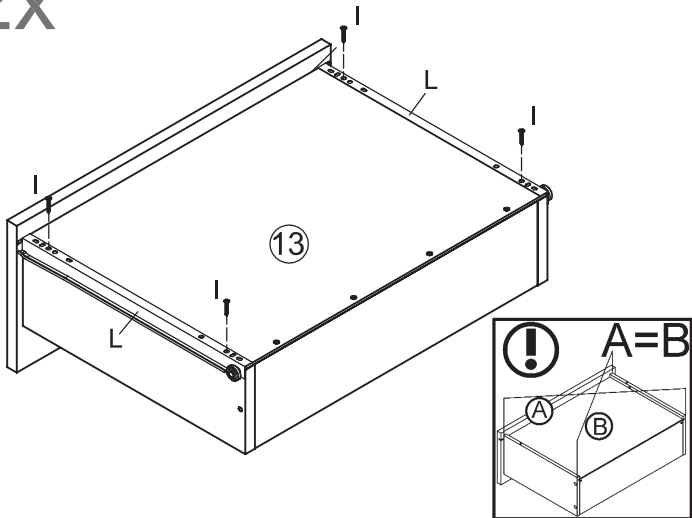
2x



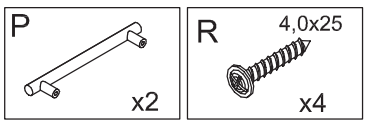
9e



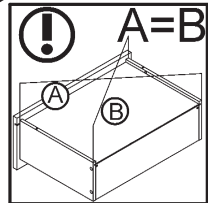
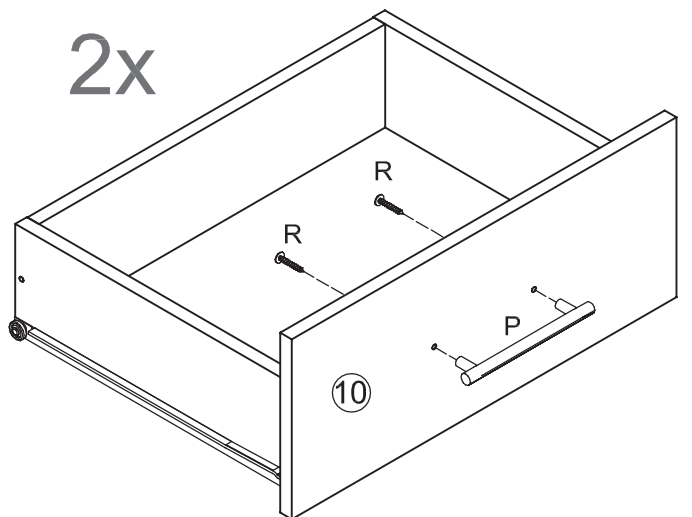
2x



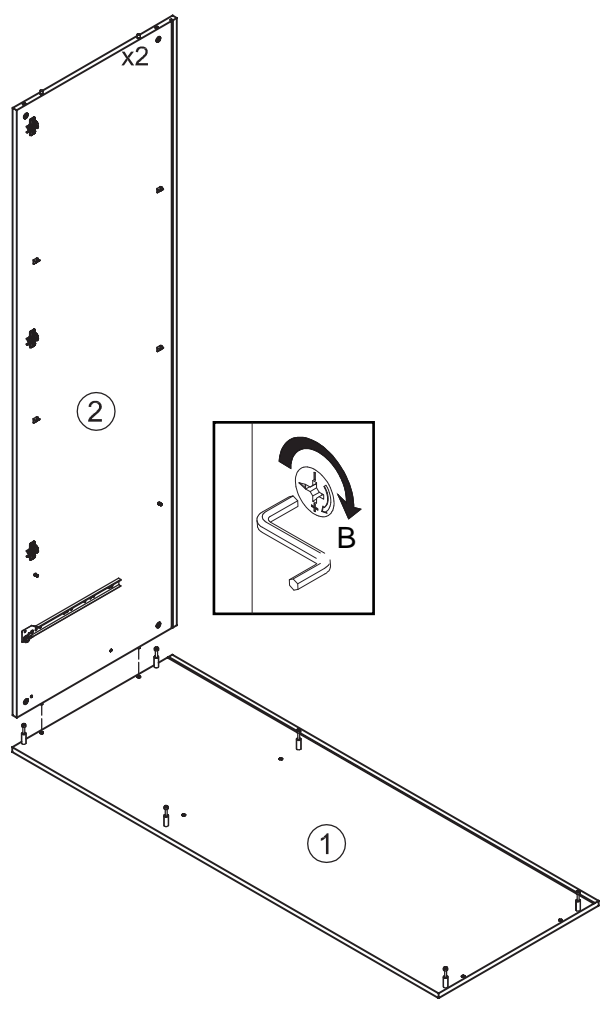
9f



2x

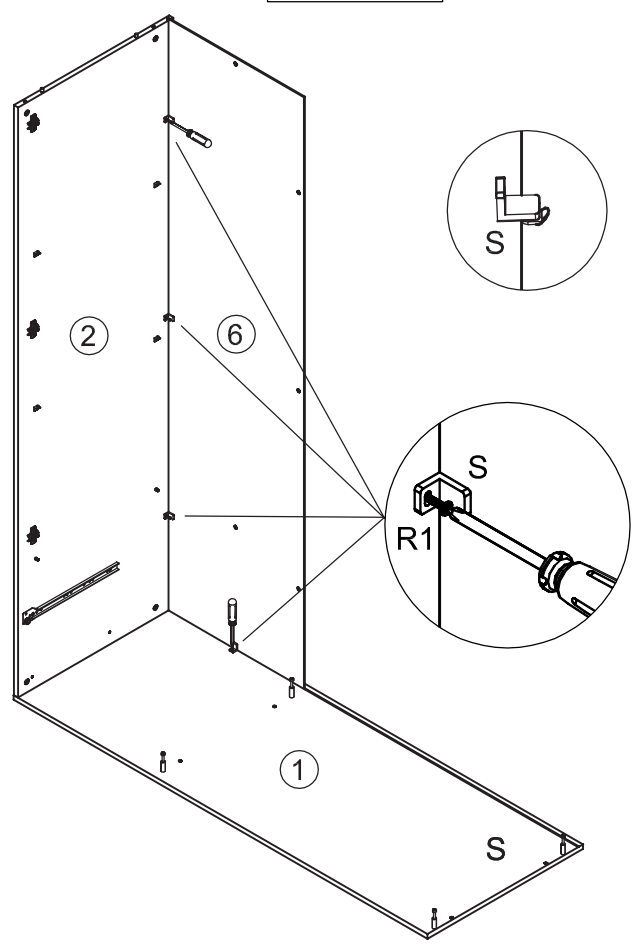


10

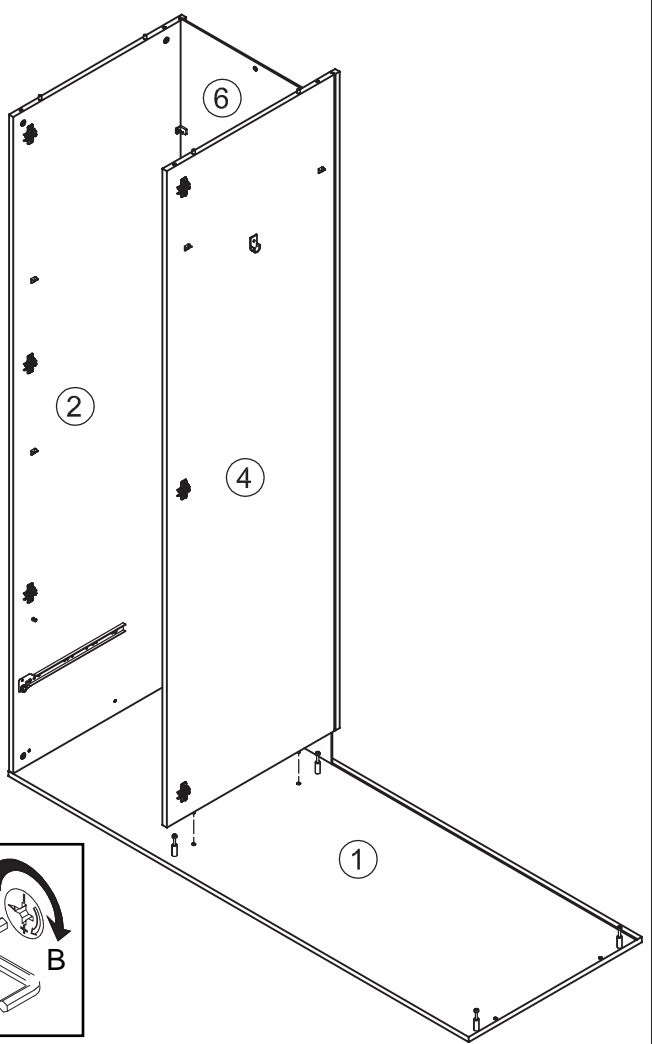


11

- S  x4
- R1  4.0x16 x4

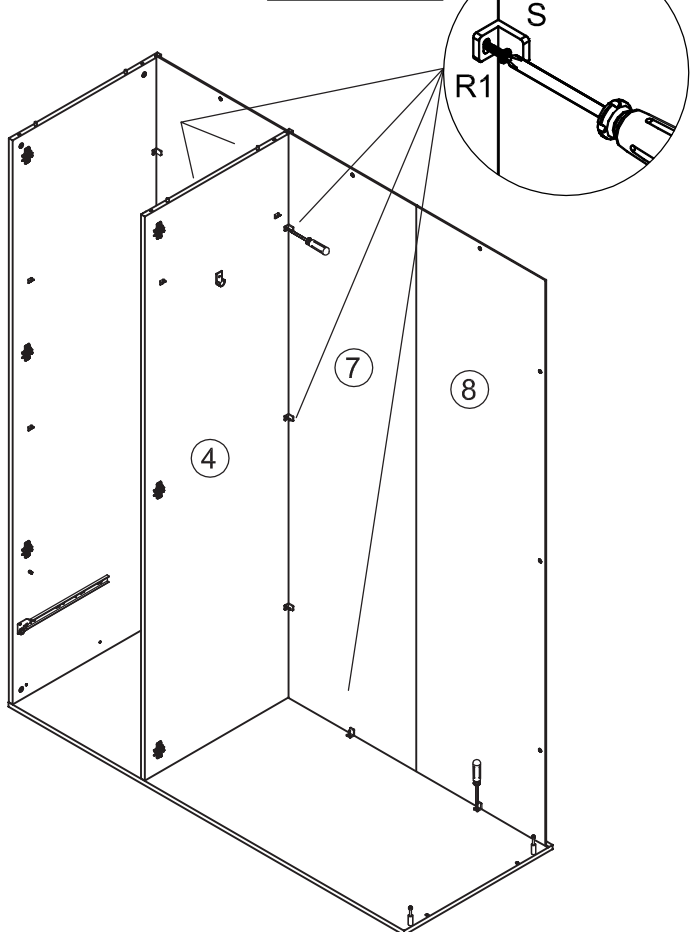


12



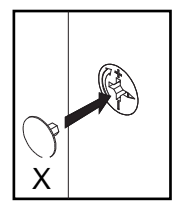
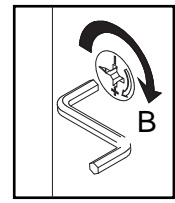
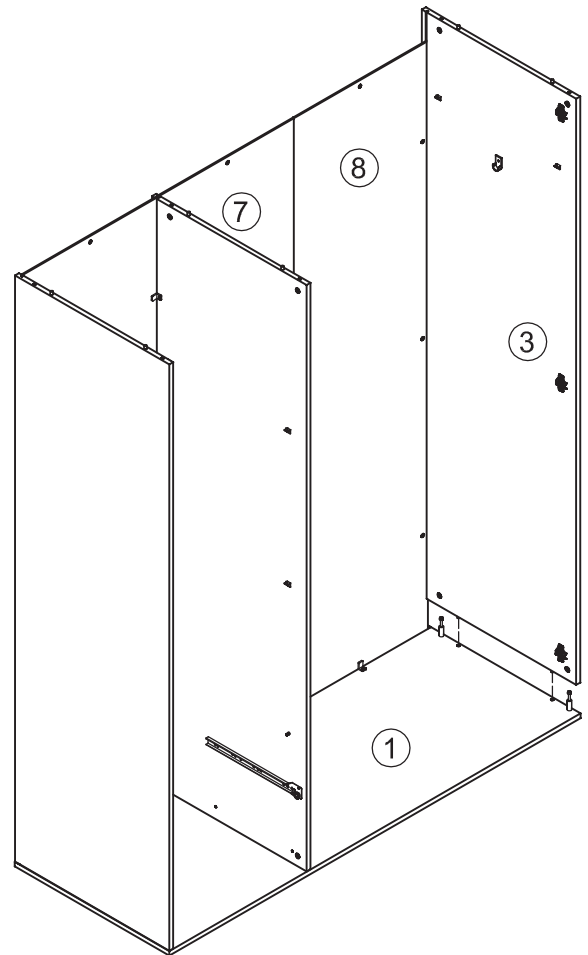
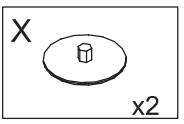
13

- S  x8
- R1  4.0x16 x8





14



15

