

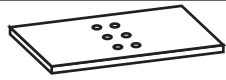







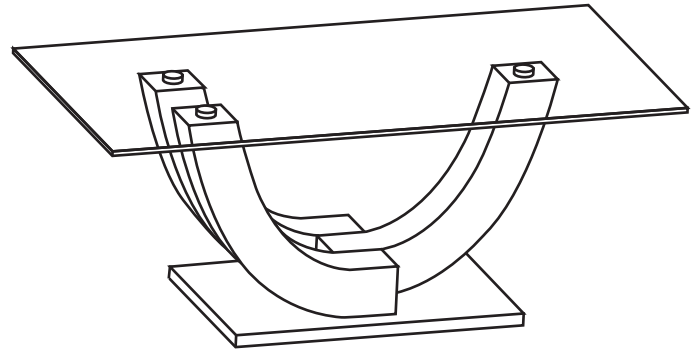
ASSEMBLY INSTRUCTION

IFDC NO .: SWING

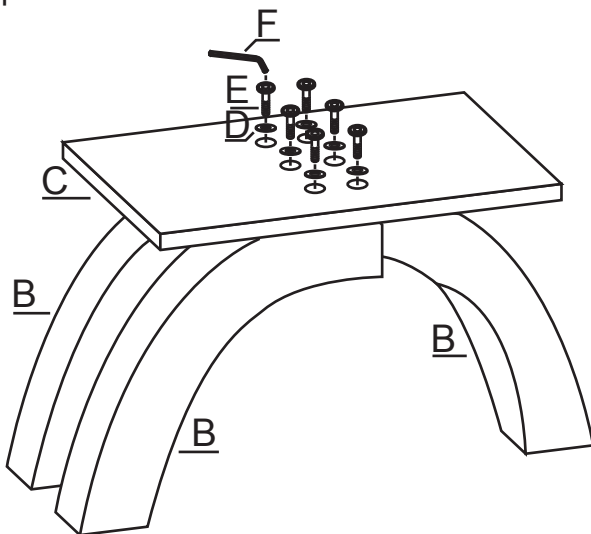
HARDWARE LIST

NO.	PART		Q'TY
A		glass top	1
B		frame	3
C		MDF base	1
D		caps	6
E		screw	6
F		short allen key	1
G		Short rod	3
H		long allen key	1

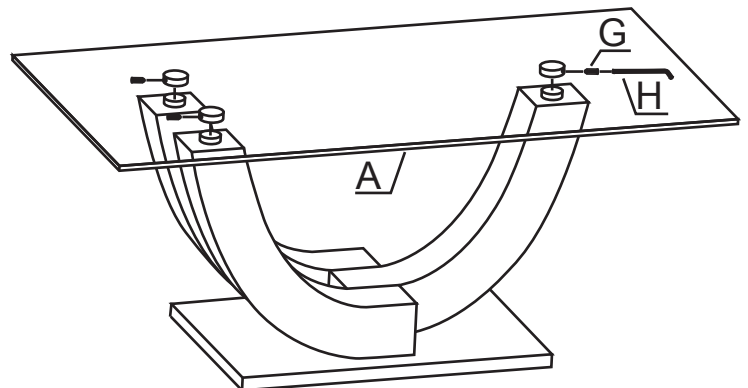
WARNING: Before you assemble the SWING coffee table, please wear the gloves, as there are sharp edges on the bottom board which may cut you hand. Please pay more attention to you hand !!!



step 1



step 2



step 3

