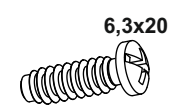
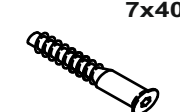




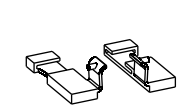
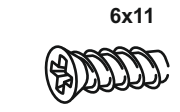
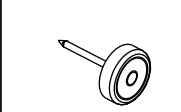


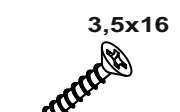
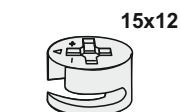
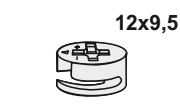
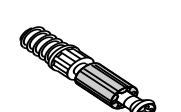
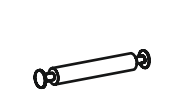
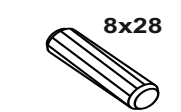
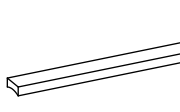
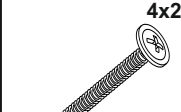
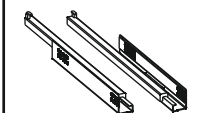
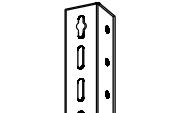
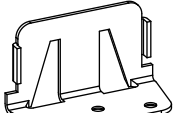
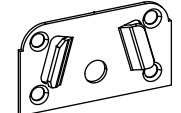
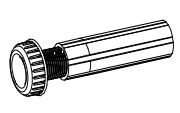
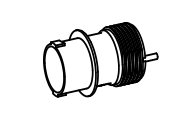
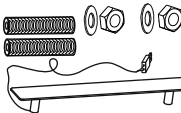
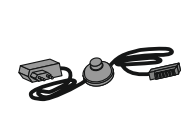
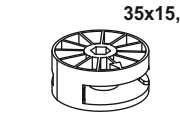
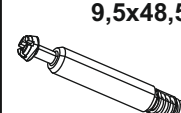
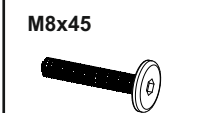
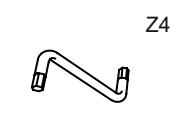
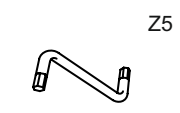
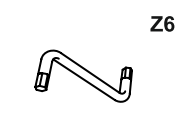


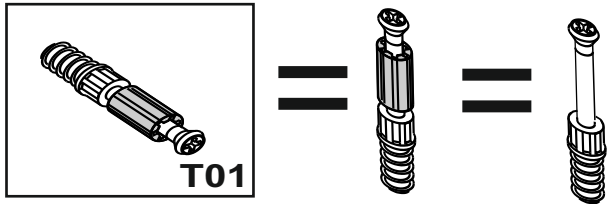
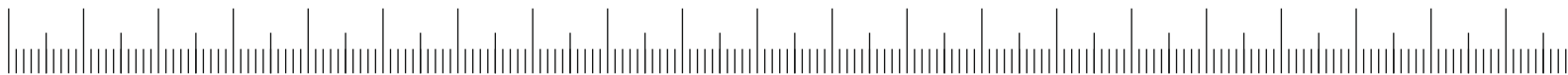
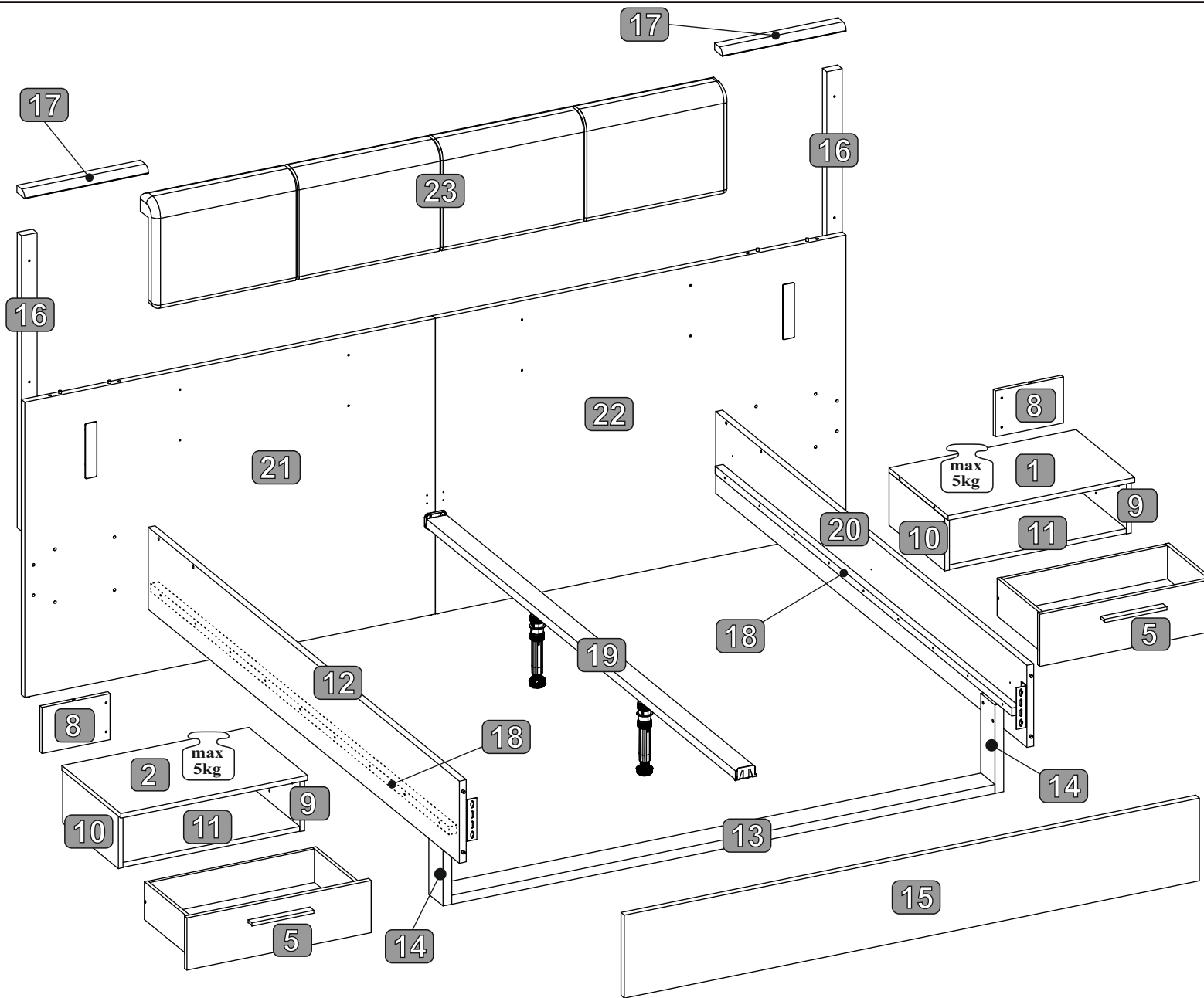
 7x70 18x W70	 6,3x20 16x W29	 7x40 4x W40	 5x40 4x W16	 4x30 4x W23	 4x40 40x W28	 G10 8x	 B12 2xL+R	 6x11 W12 8x	 S01 8x
 3,5x13 8x W02	 R01 8x	 3,5x16 12x W30	 15x12 T02 32x	 12x9,5 T12 4x	 T01 28x	 T03 4x	 8x28 D01 56x	 U50 2x	 4x25 W05 4x
 P05 2xL+R	 L03 2x	 L08 2x	 L08 2x	 NOG 2x	 REG 4x	 O54 2x	 O51 1x	 35x15,2 T14 2x	 9,5x48,5 T13 2x
 M8x45 4x Y08	 Z4 K01 2x	 Z5 K03 1x	 Z6 K04 1x	 L3 K02 1x	 LIV'IN 1x				

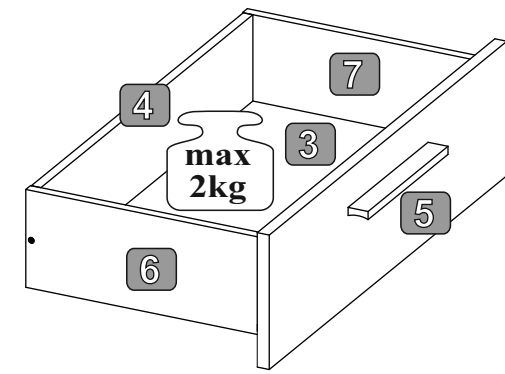


0 10 20 30 40 50 60 70 80 90 100 110 120 130 140 150 160 170 180 190 200

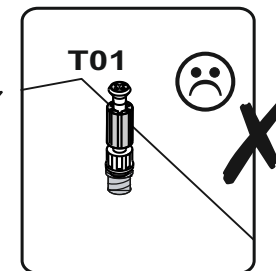
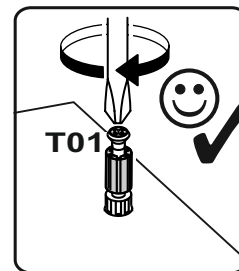
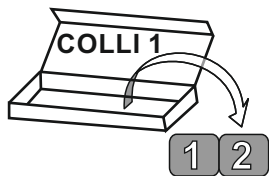
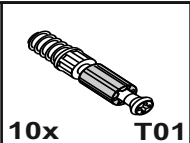




NR	DIM	QTE	COLLI
1	603x380x15	1	1/5
2	603x380x15	1	1/5
3	542x300x2	2	1/5
4	531x120x12	2	1/5
5	595x165x15	2	1/5
6	300x120x12	2	1/5
7	300x120x12	2	1/5
8	152x229x15	2	1/5
9	168x360x15	2	1/5
10	168x360x15	2	1/5
11	571x359x15	2	1/5
12	2010x260x22	1	2/5
13	1754x90x28	1	2/5
14	280x92x28	2	2/5
15	1856x262x22	1	2/5
16	935x50x28	2	2/5
17	399x51x22	2	2/5
18	1916x25x25	2	2/5
19	1993x65x28	1	2/5
20	2010x260x22	1	2/5
21	1325x935x22	1	3/5
22	1325x935x22	1	4/5
23	1854x340x90	1	5/5



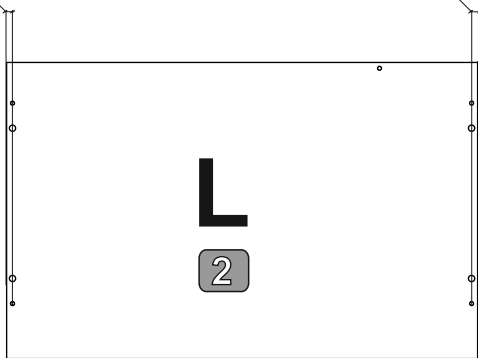
1



7,5mm

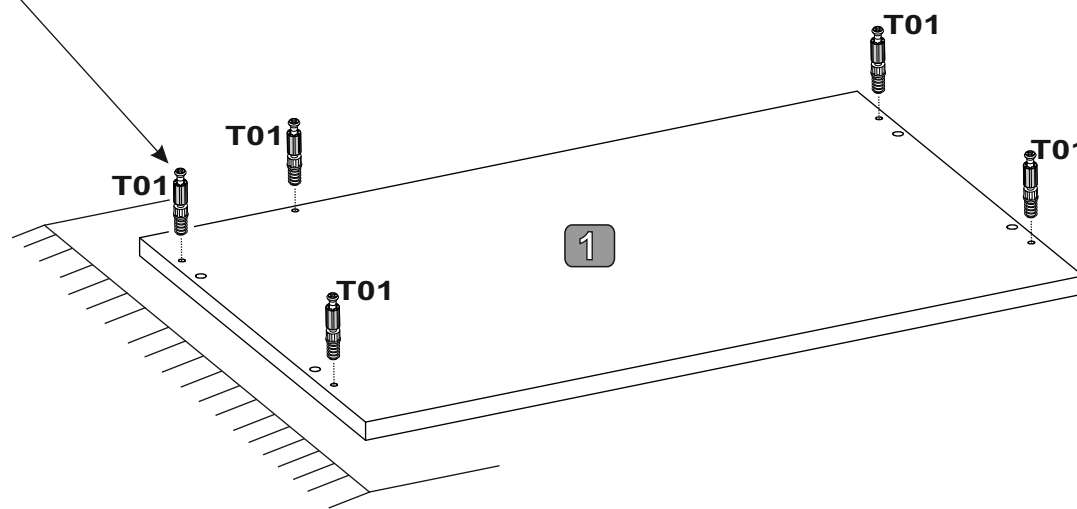
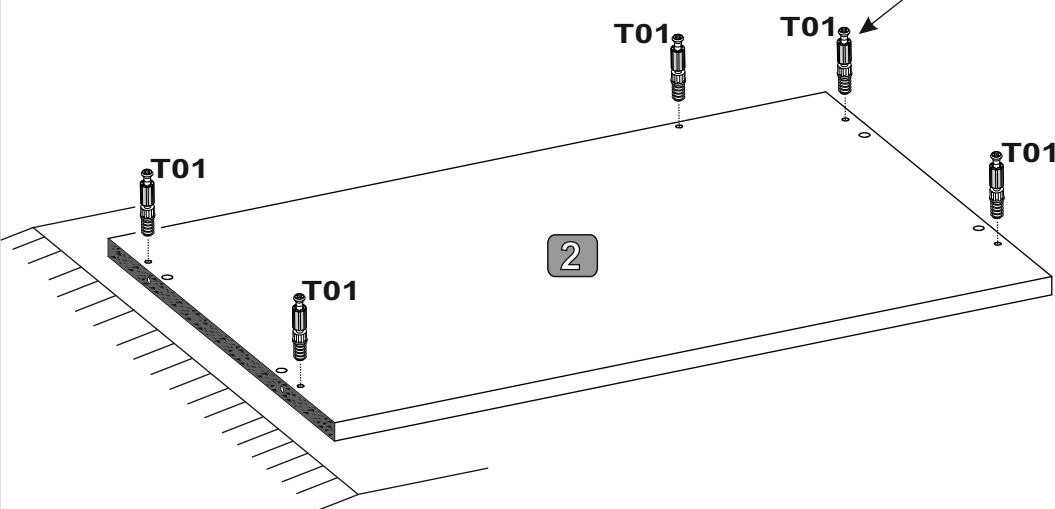
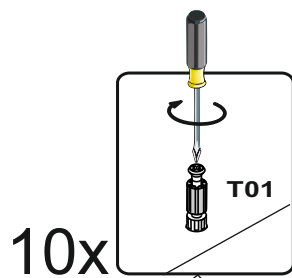
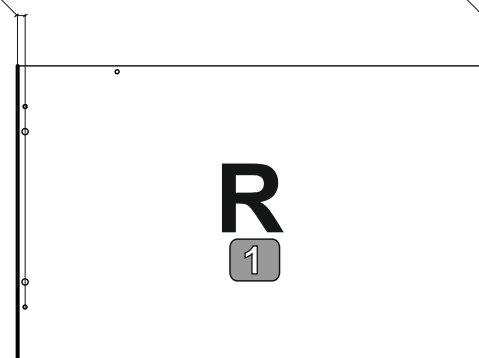


9,5mm



9,5mm

7,5mm



2

15x12 12x T02	8x28 8x D01	2x T01
---------------------	-------------------	-----------

COLLI 1

8 11

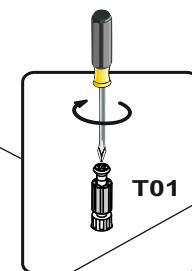
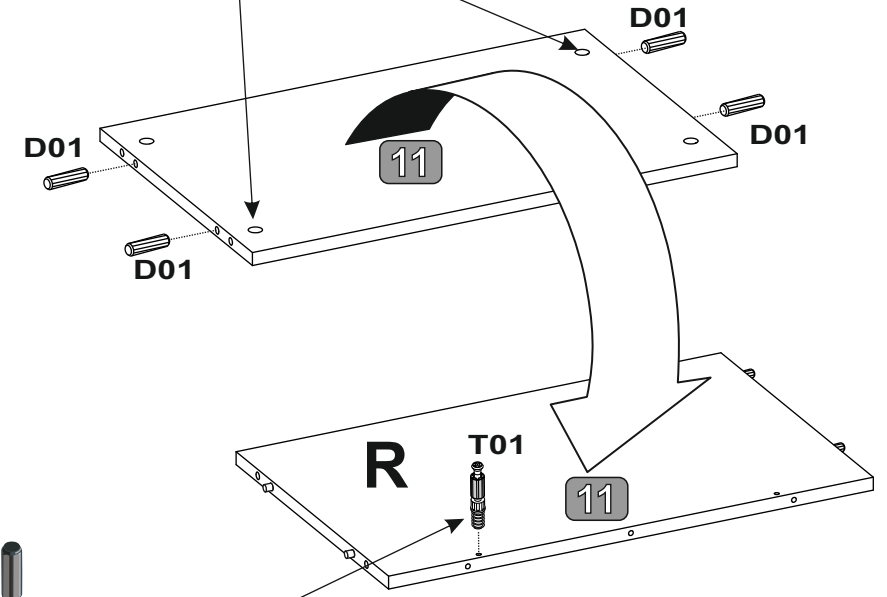
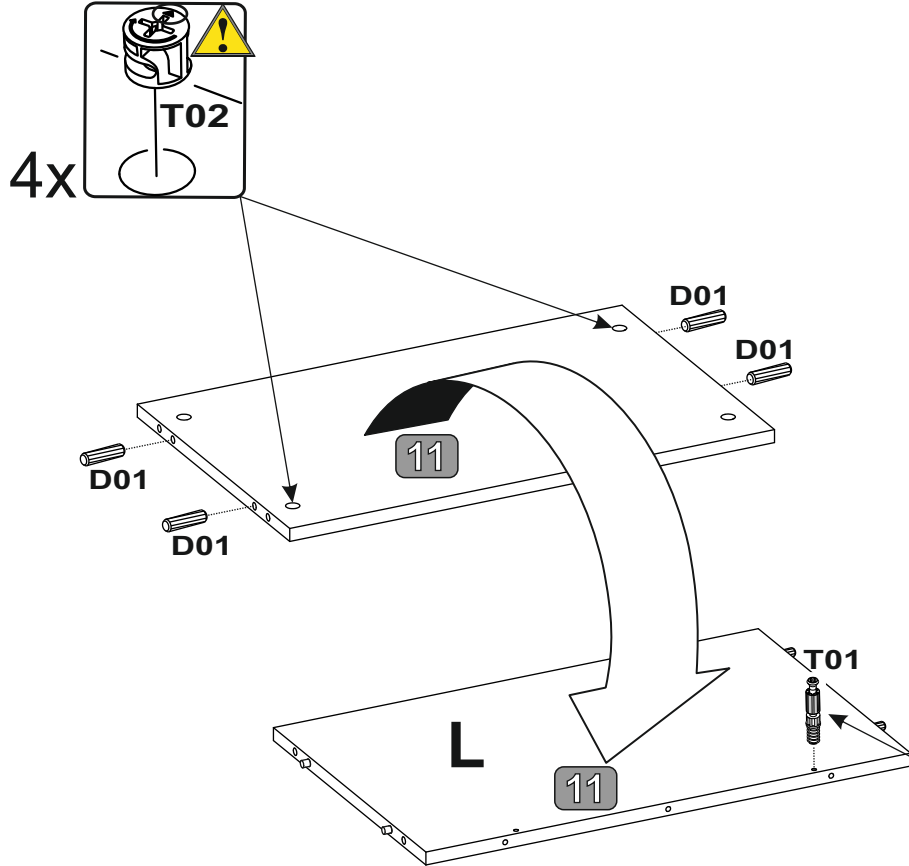
4x

T02

T02

✓

✗



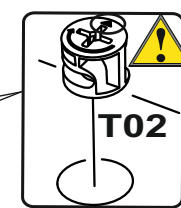
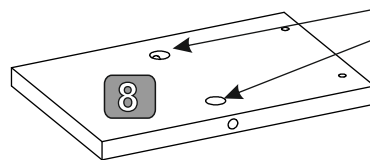
T01

✓

T01

✗

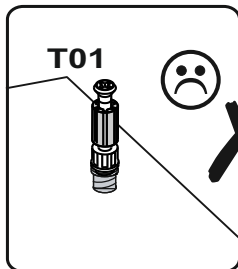
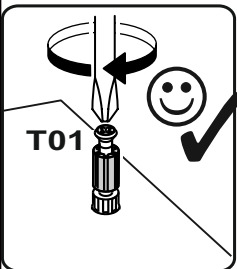
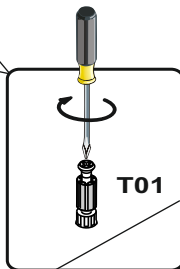
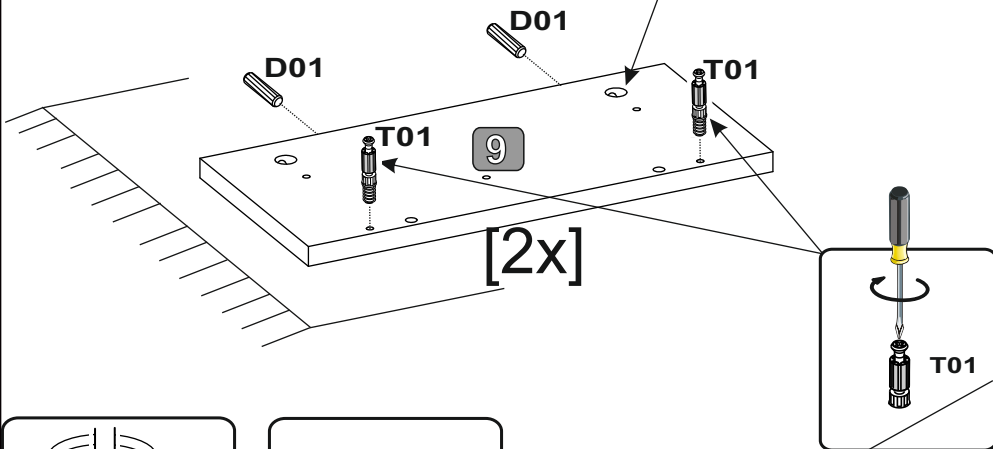
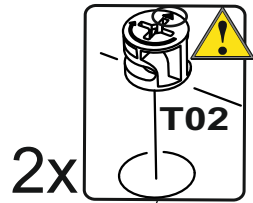
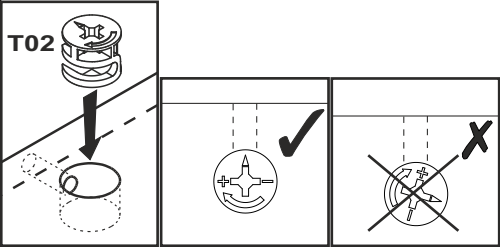
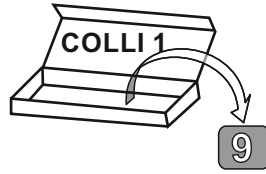
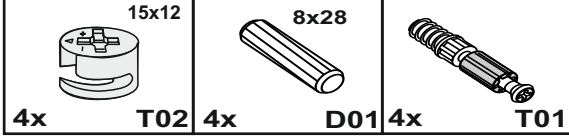
[2x]



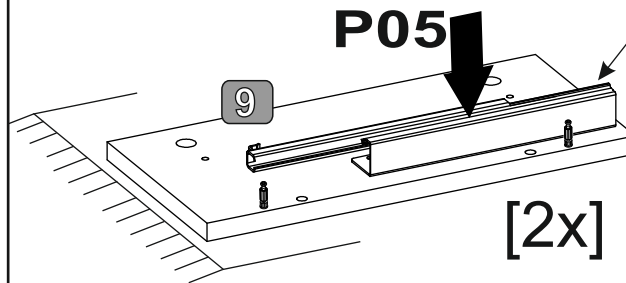
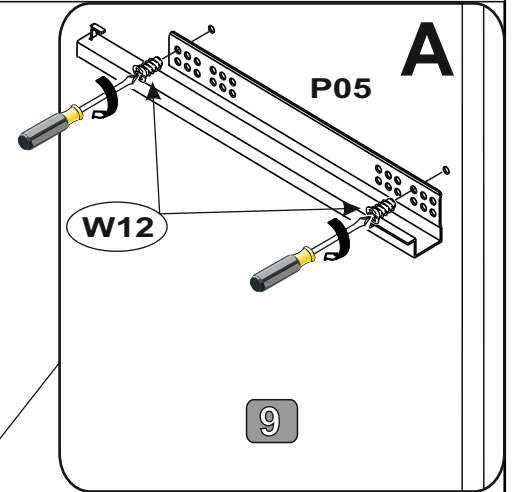
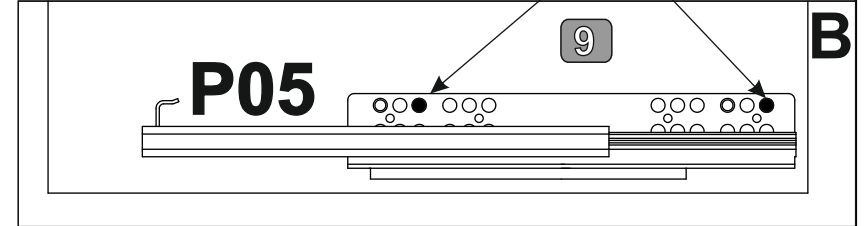
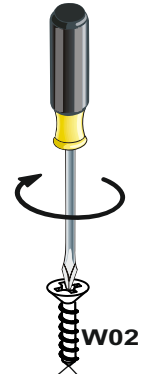
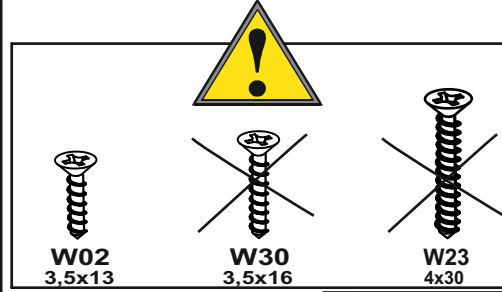
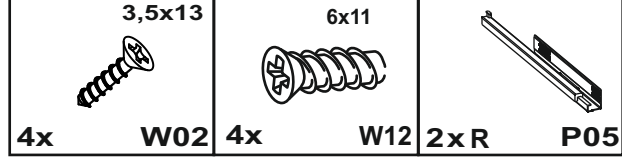
RIVOLI

22-705

3



4

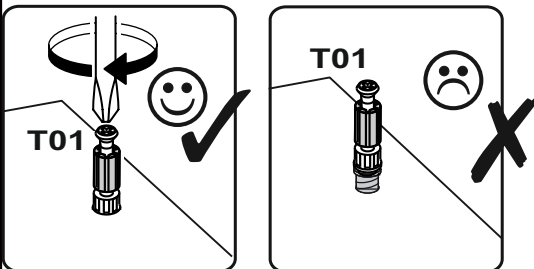
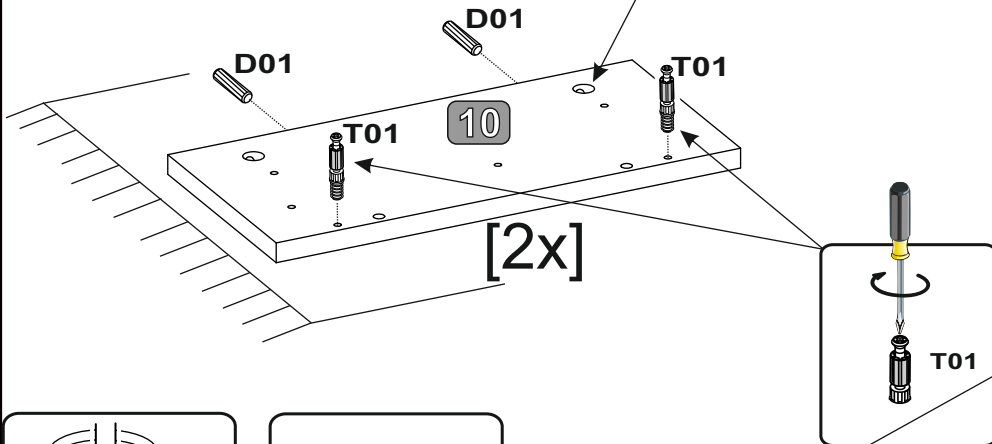
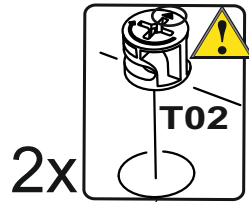
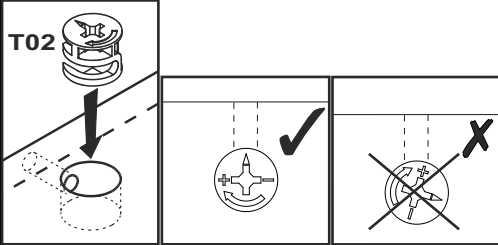
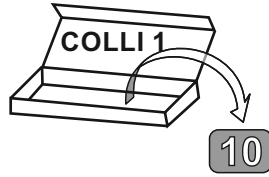


RIVOLI

22-705

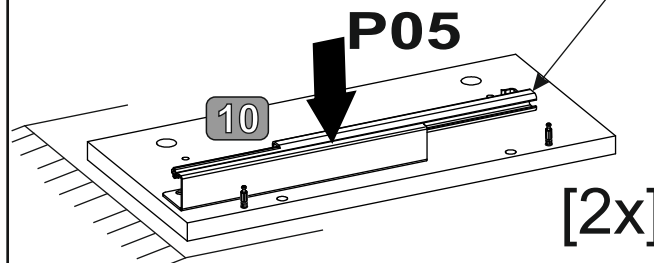
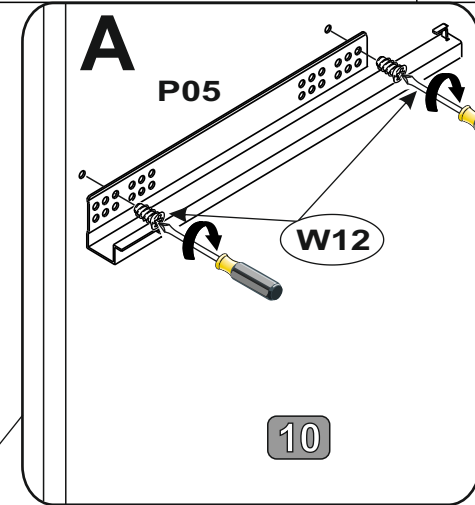
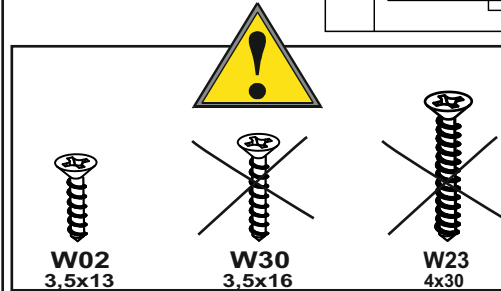
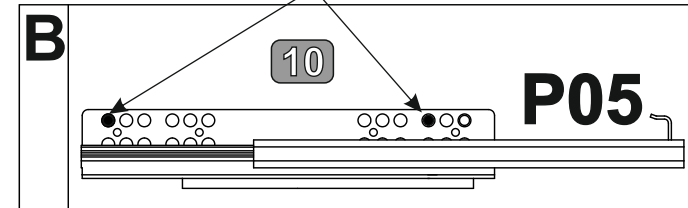
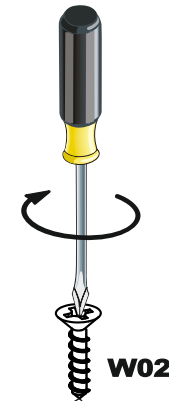
5

- 15x12
4x T02
- 8x28
4x D01
- 4x T01

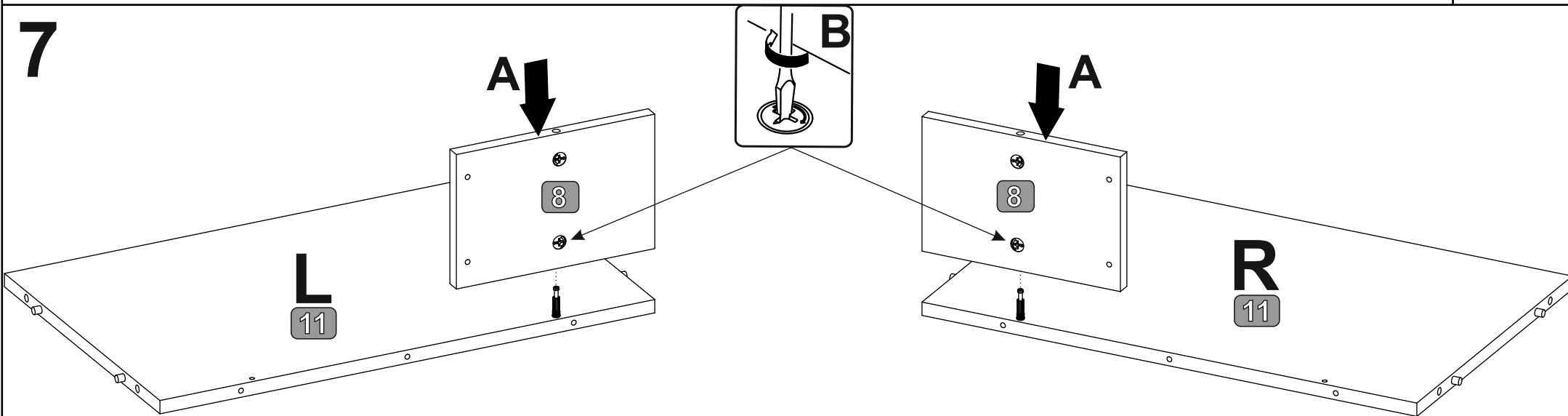


6

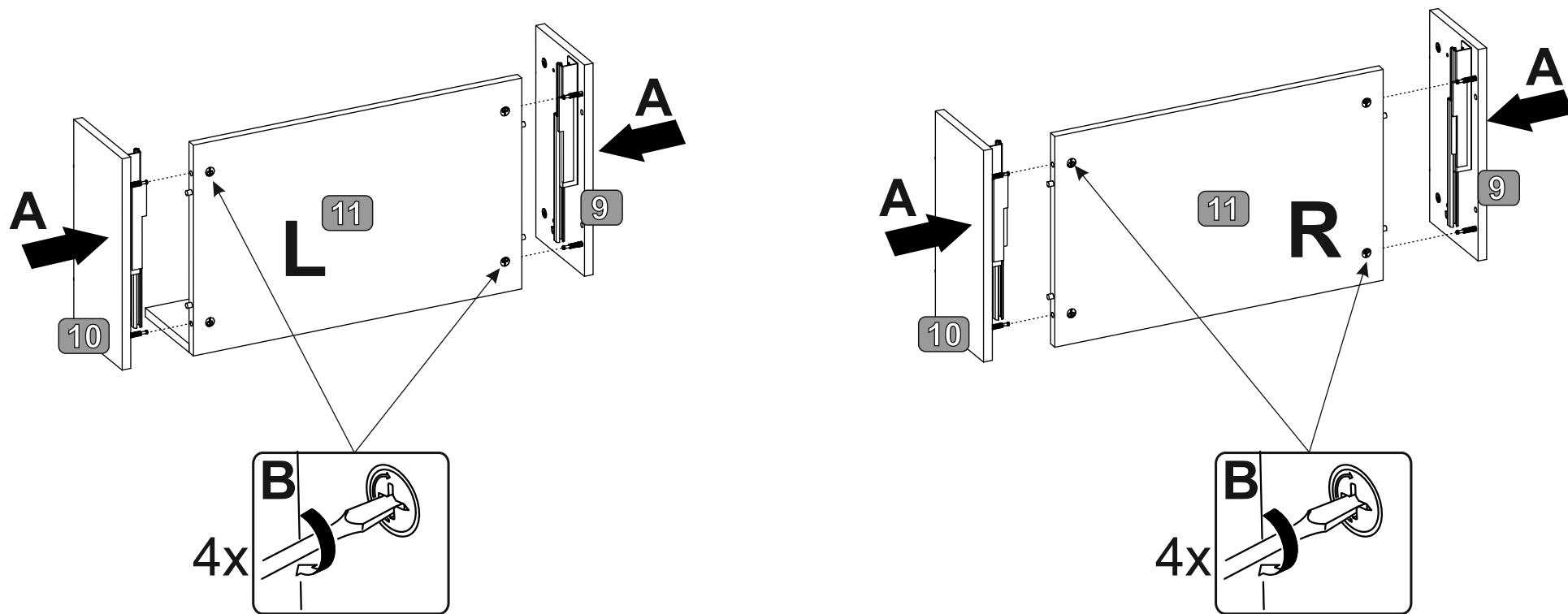
- 3,5x13
4x W02
- 6x11
4x W12
- 2xL P05



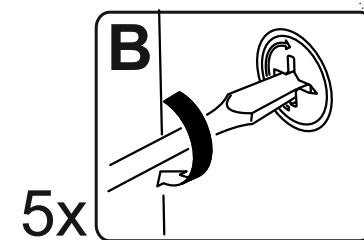
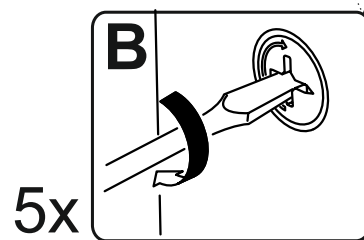
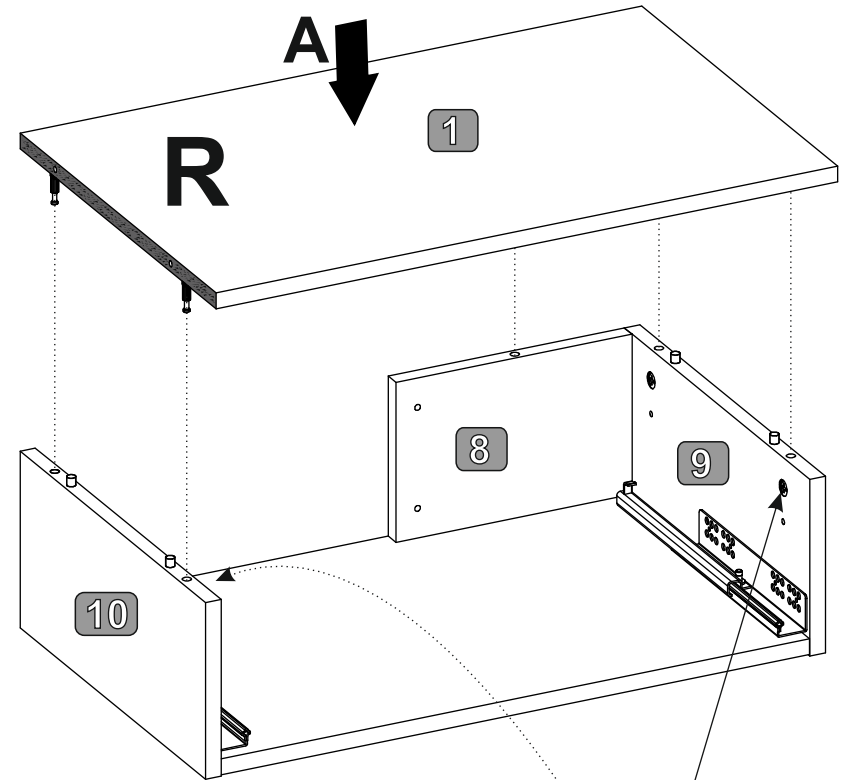
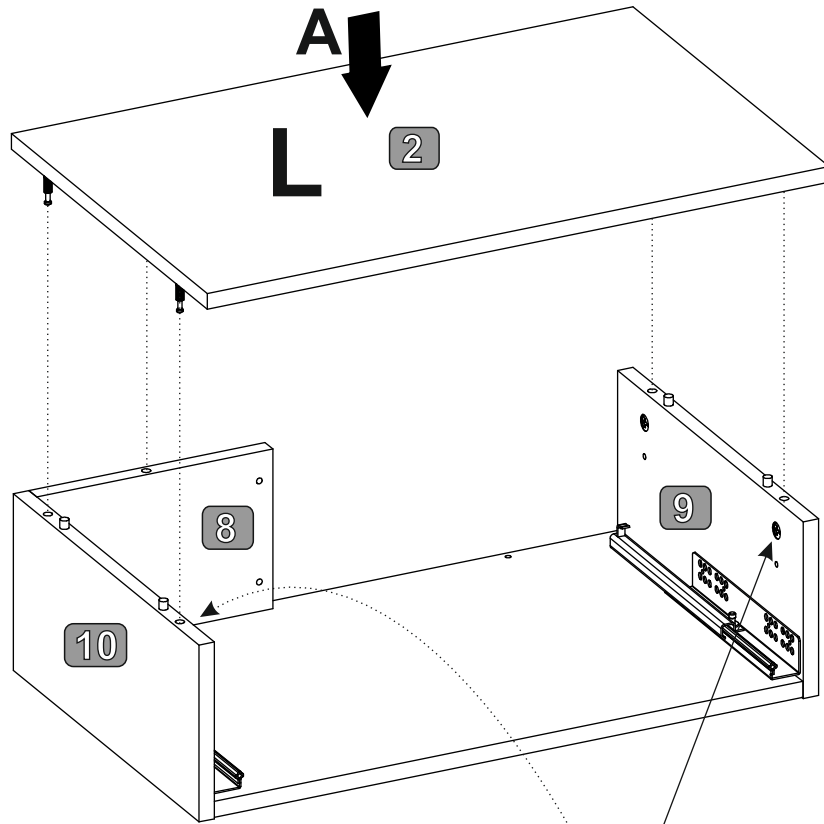
7



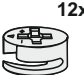

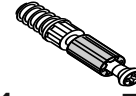
8




9



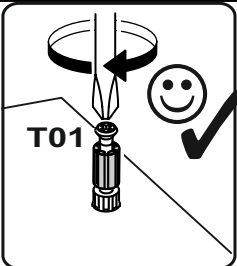
10

12x9,5  4x T12	8x28  16x D01	 4x T01
---	--	---

COLLI 1

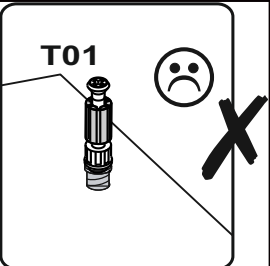


3 4 5 6 7



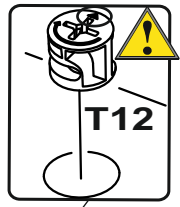
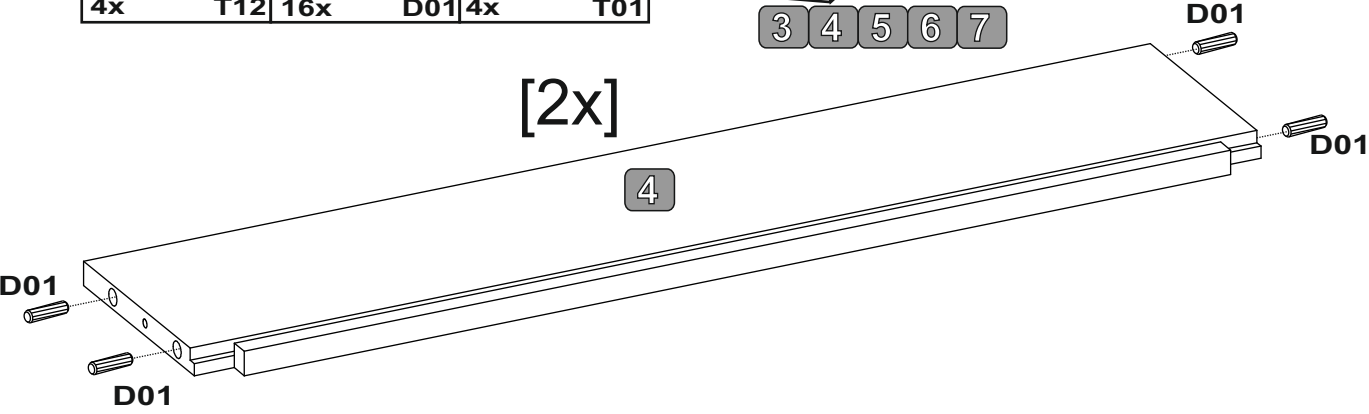
T01

☺ ✓



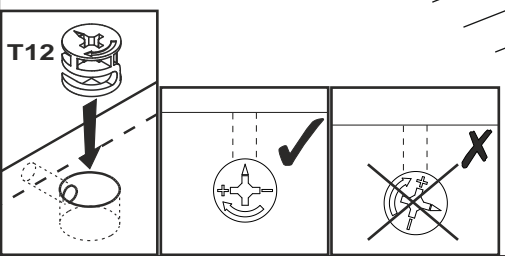
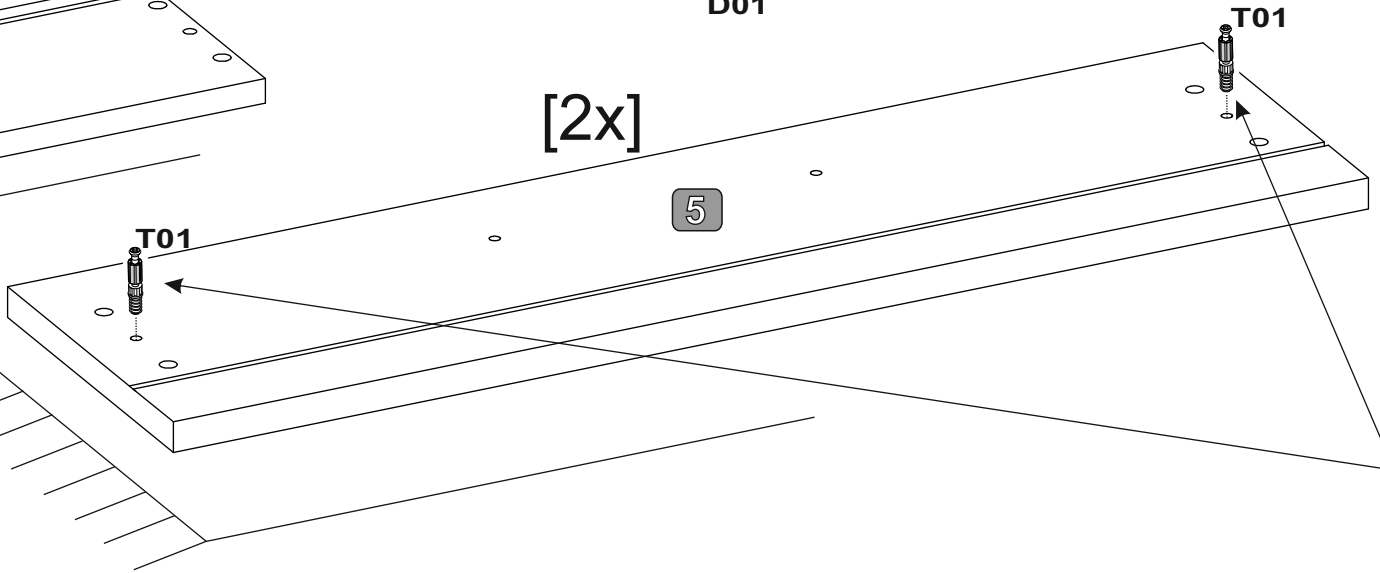
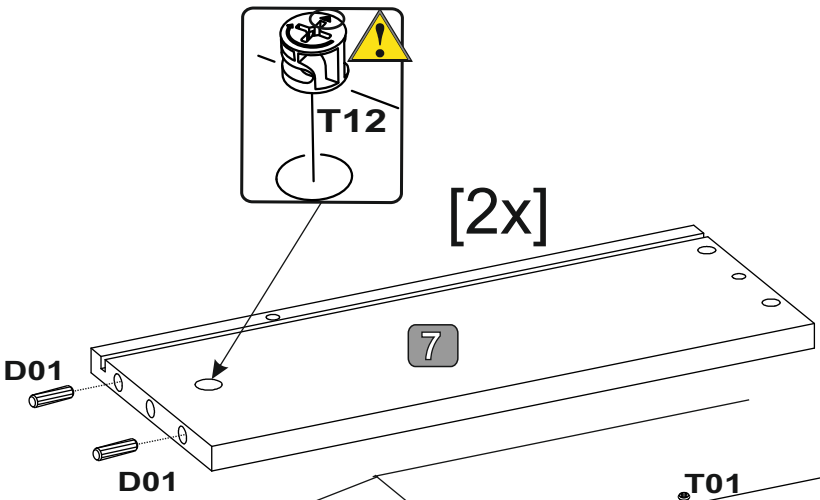
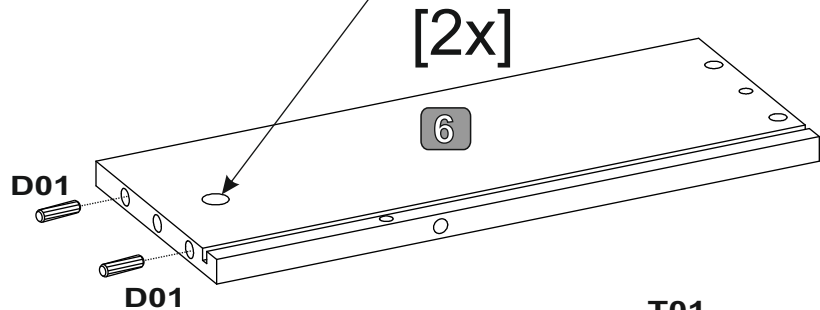
T01

☹ ✗



T12

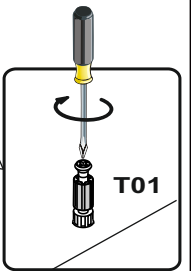
⚠



T12

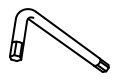
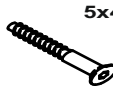

☺ ✓

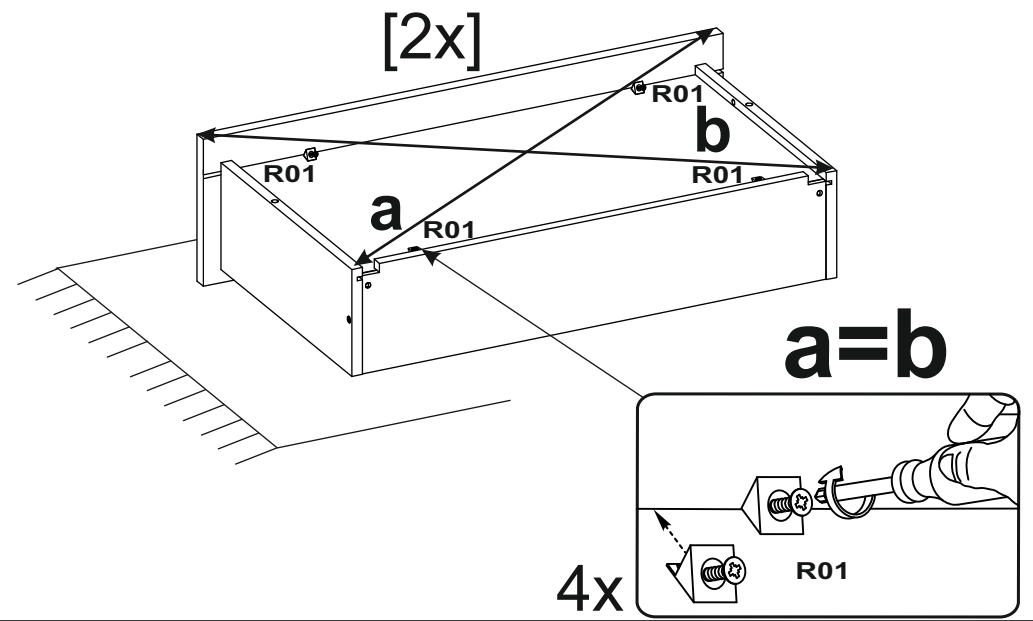
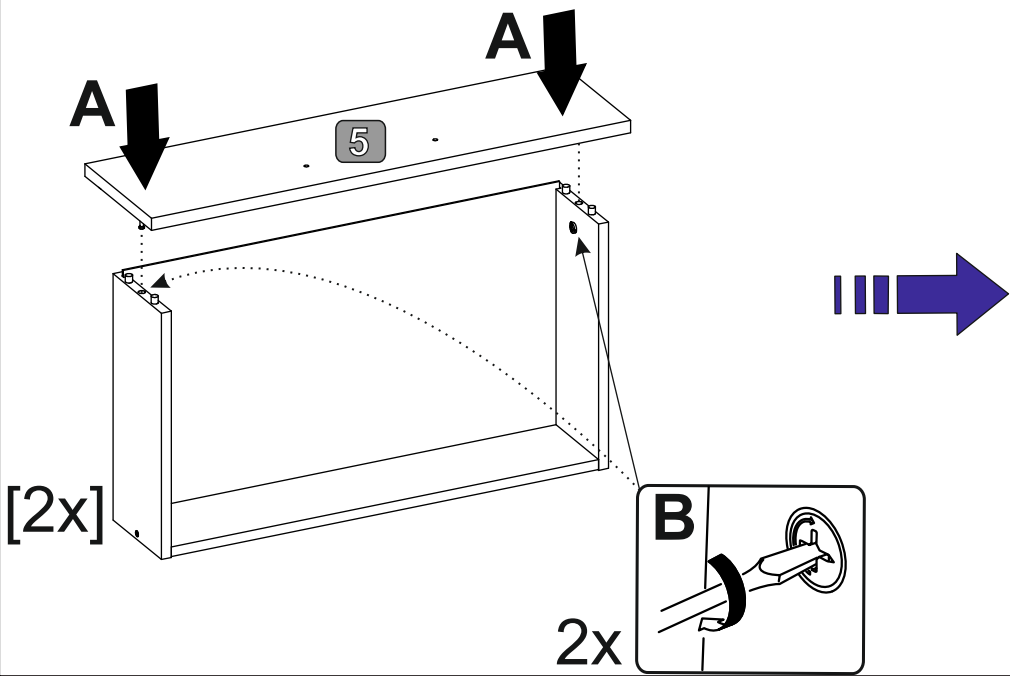
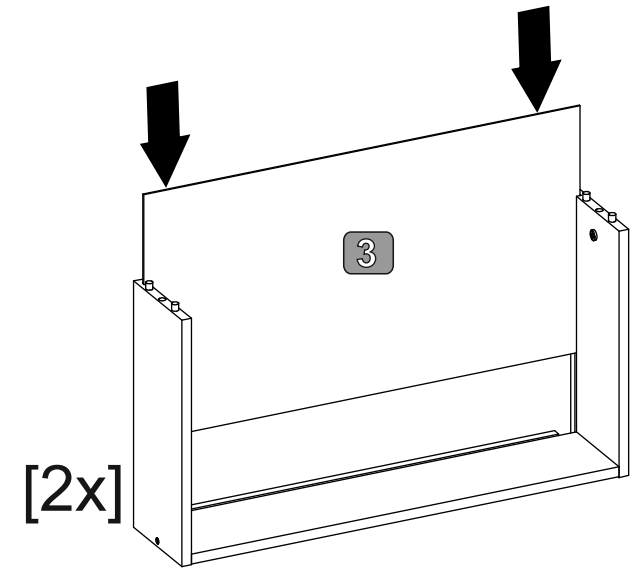
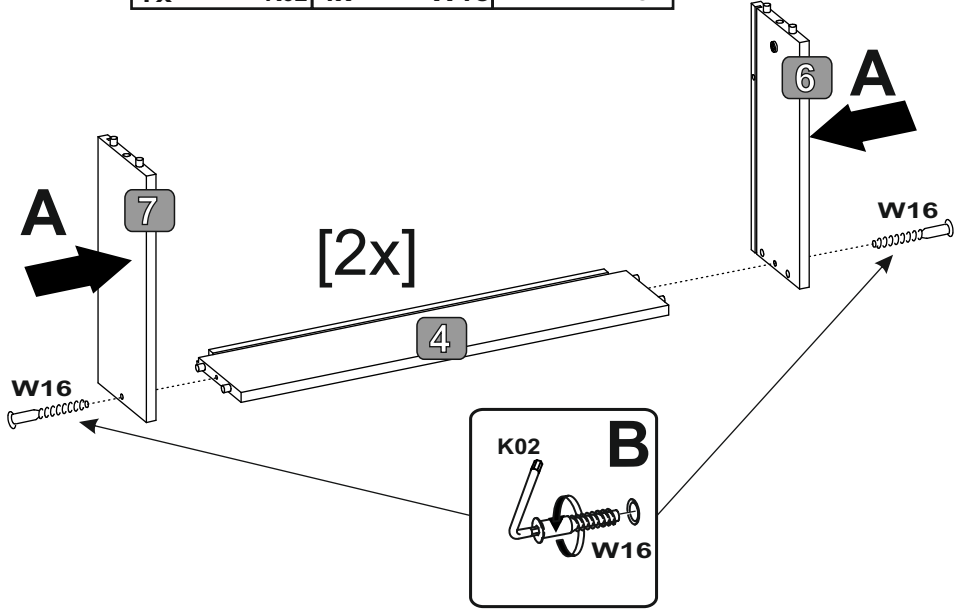
☹ ✗



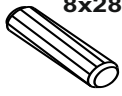
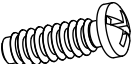

T01

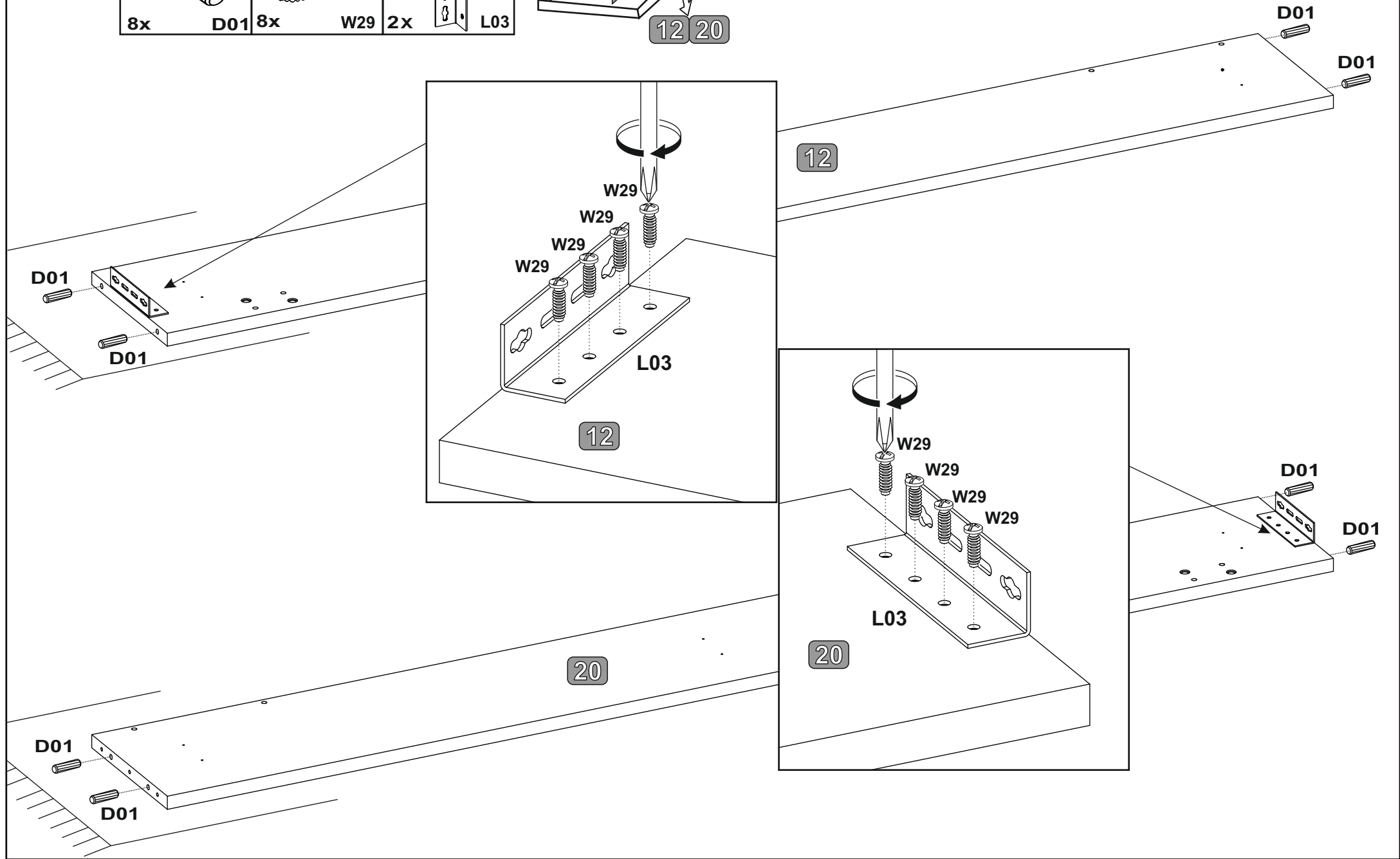
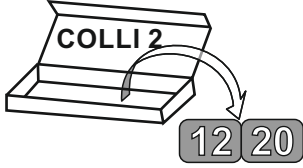
11

 L3 1x	 5x40 4x	 W16 8x
K02	W16	R01



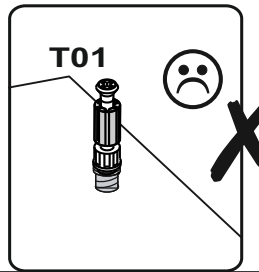
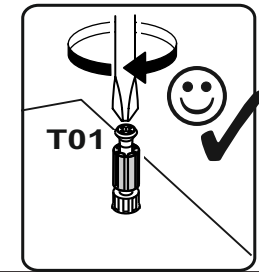
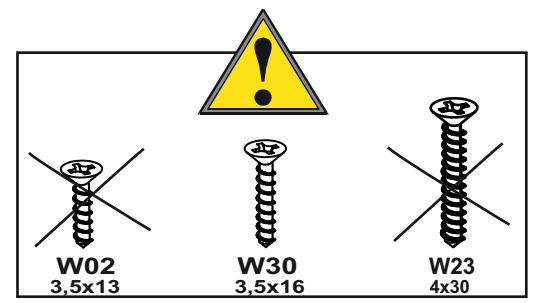
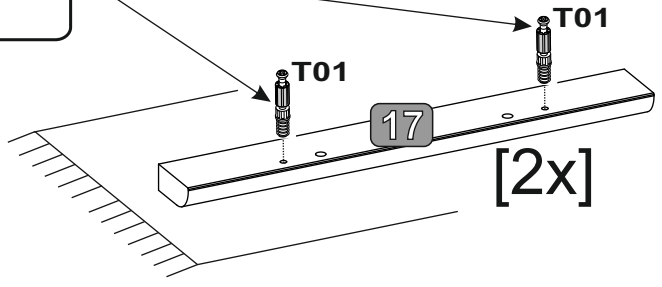
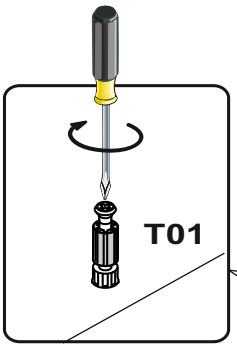
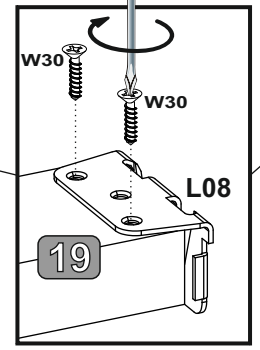
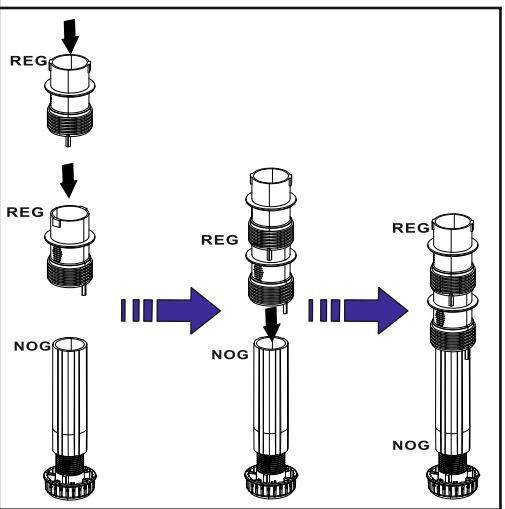
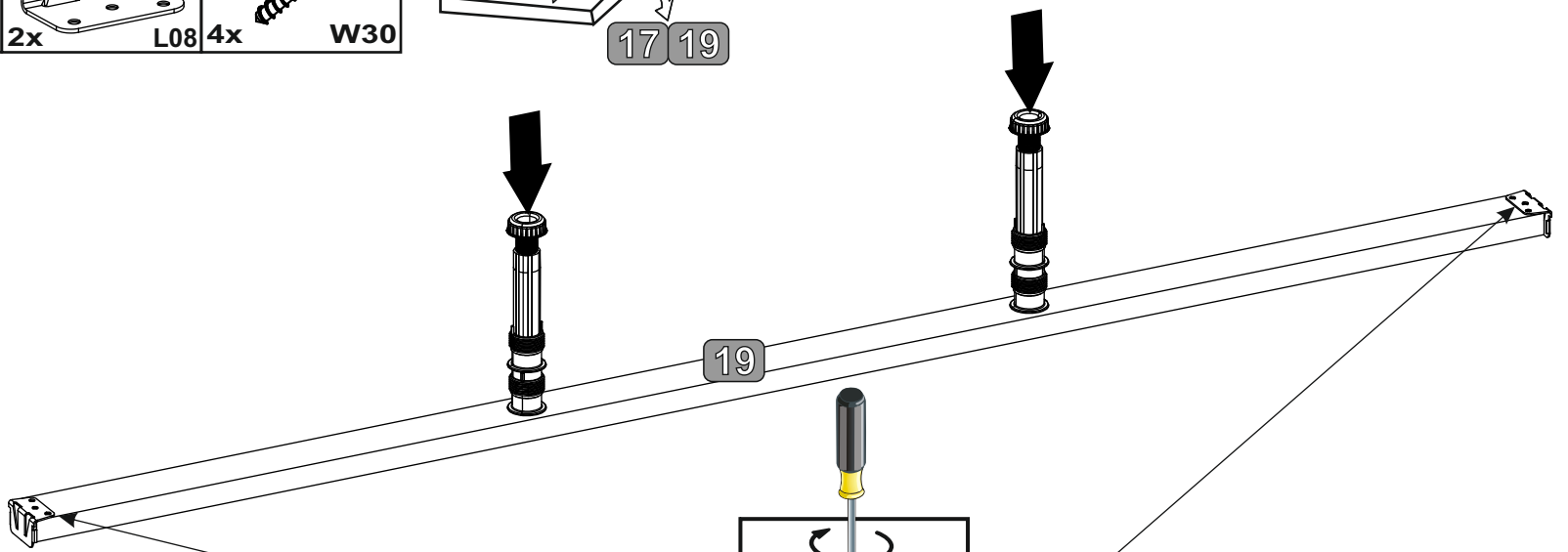
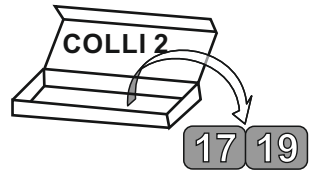
12

8x28	6,3x20	
		
8x D01	8x W29	2x L03



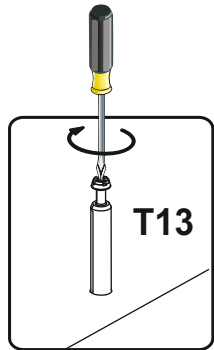
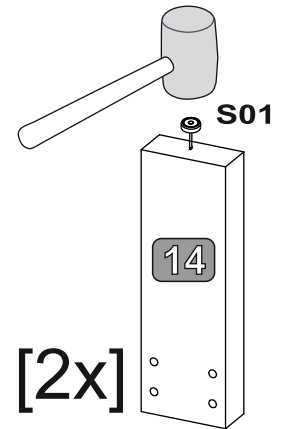
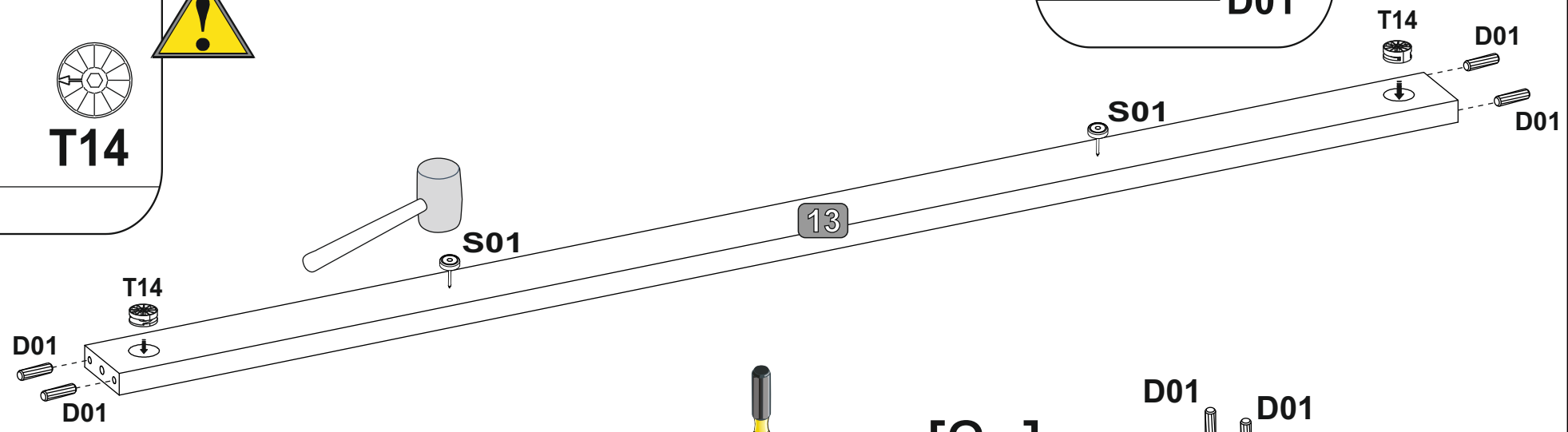
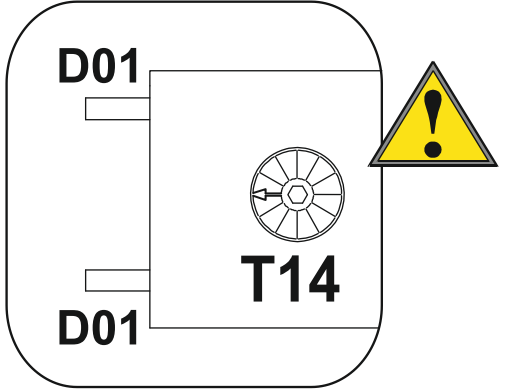
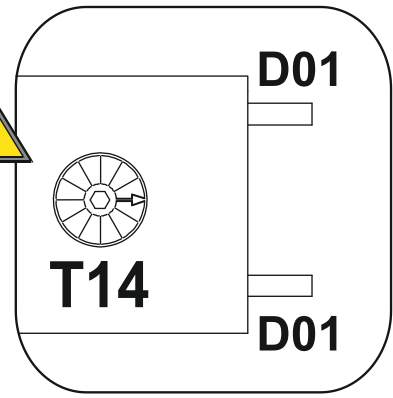
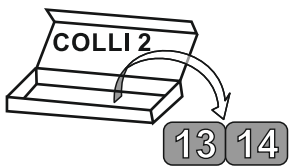
13

- 2x NOG
- 4x REG
- 2x L08
- 4x W30
- 3,5x16
- 4x T01

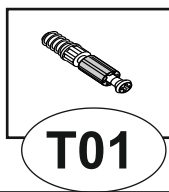
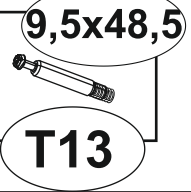
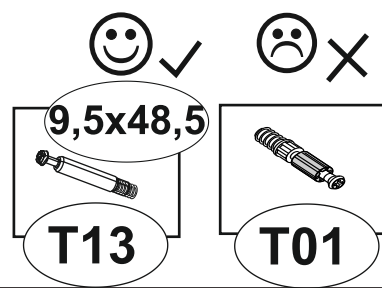
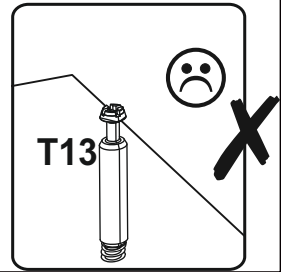
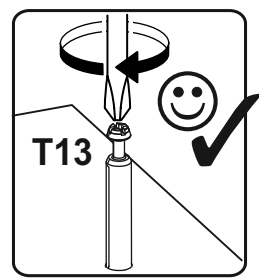
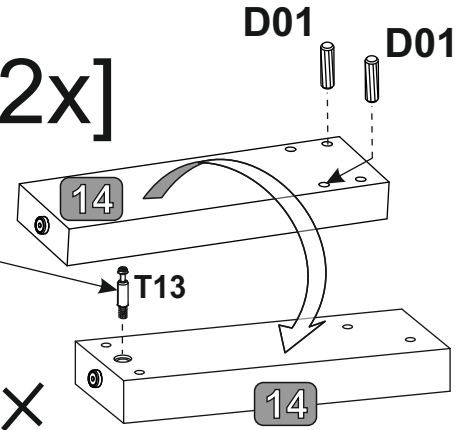


14

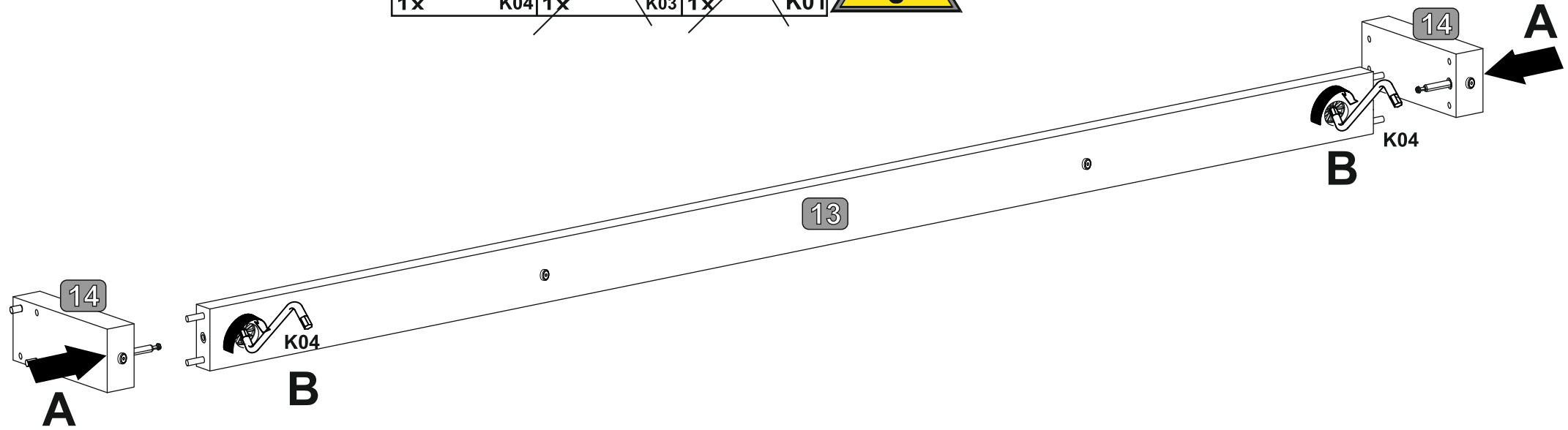
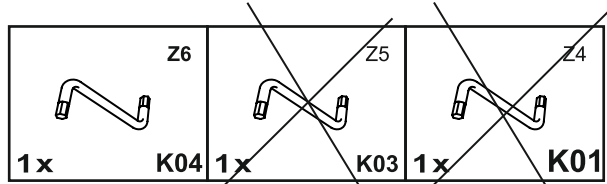
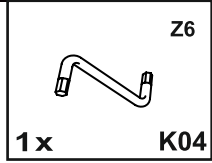
- 4x S01
- 2x T14 (35x15,2)
- 2x T13 (9,5x48,5)
- 8x D01 (8x28)



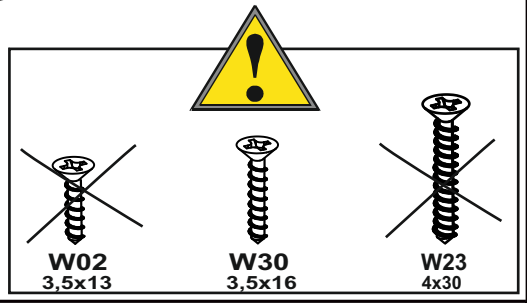
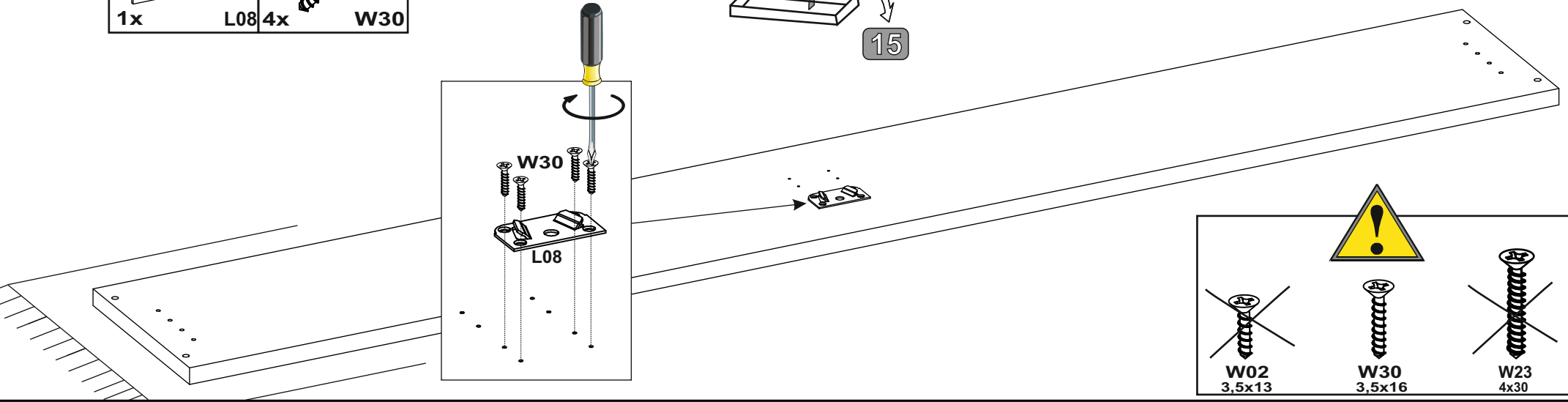
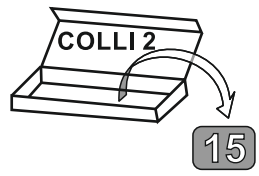
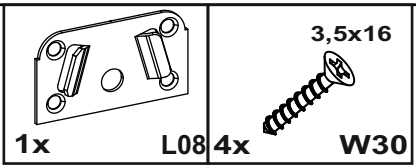
[2x]



15

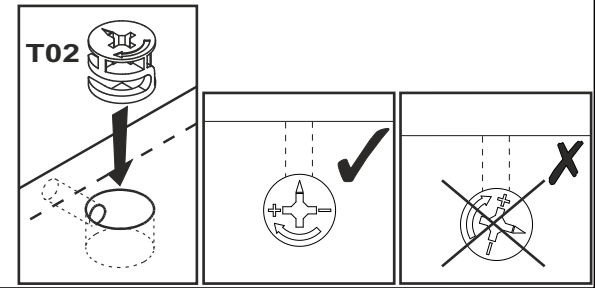
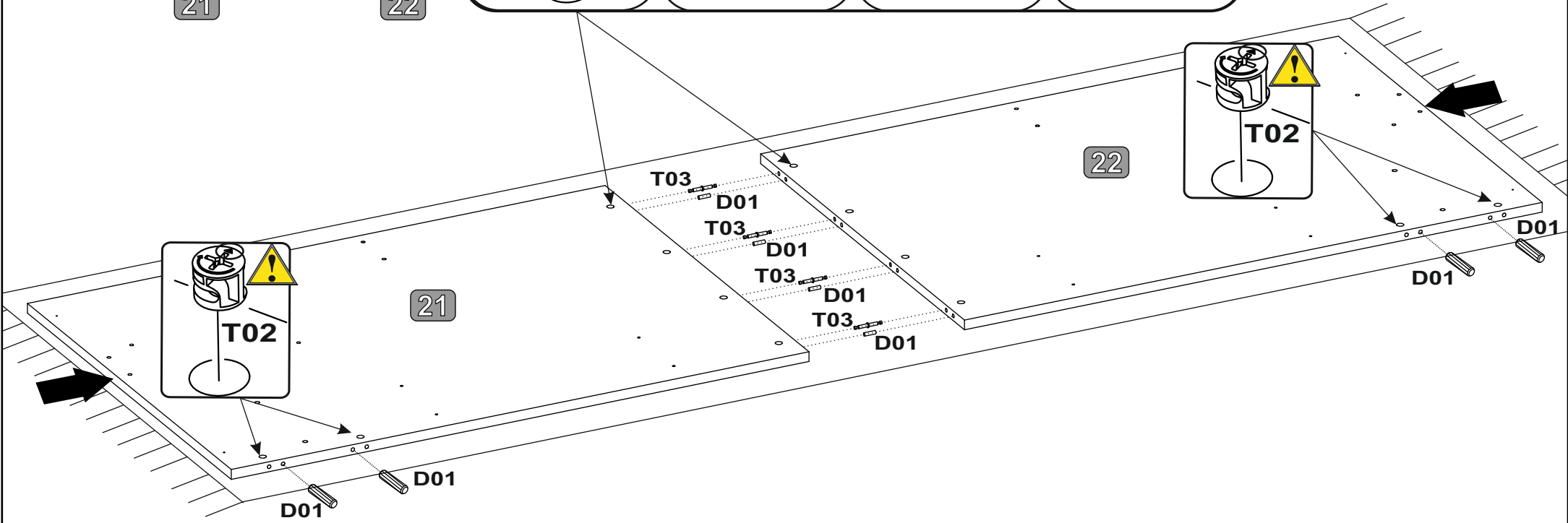
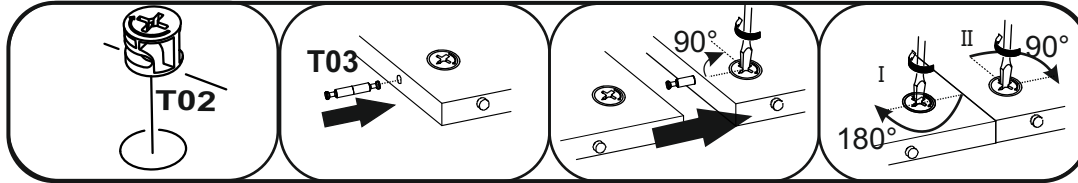
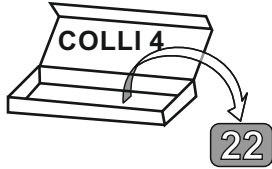
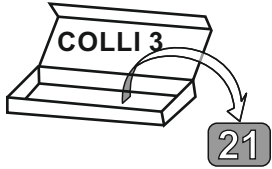


16

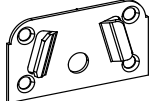
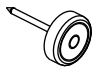



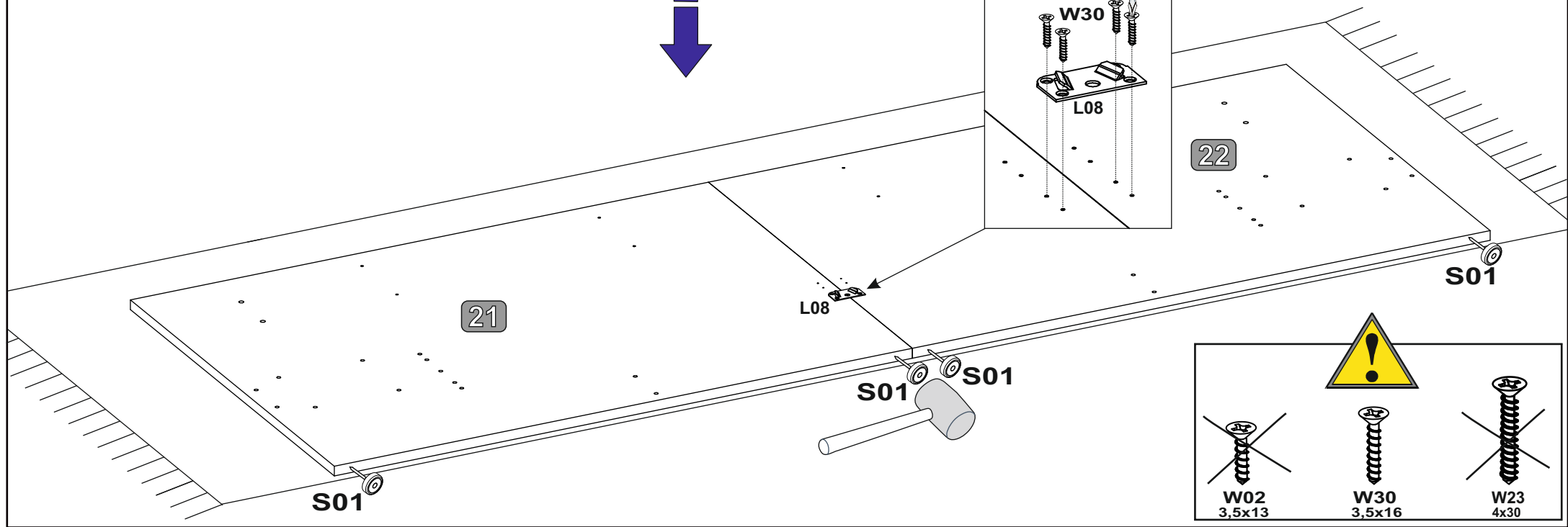
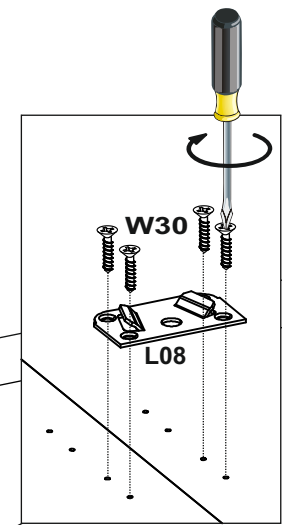
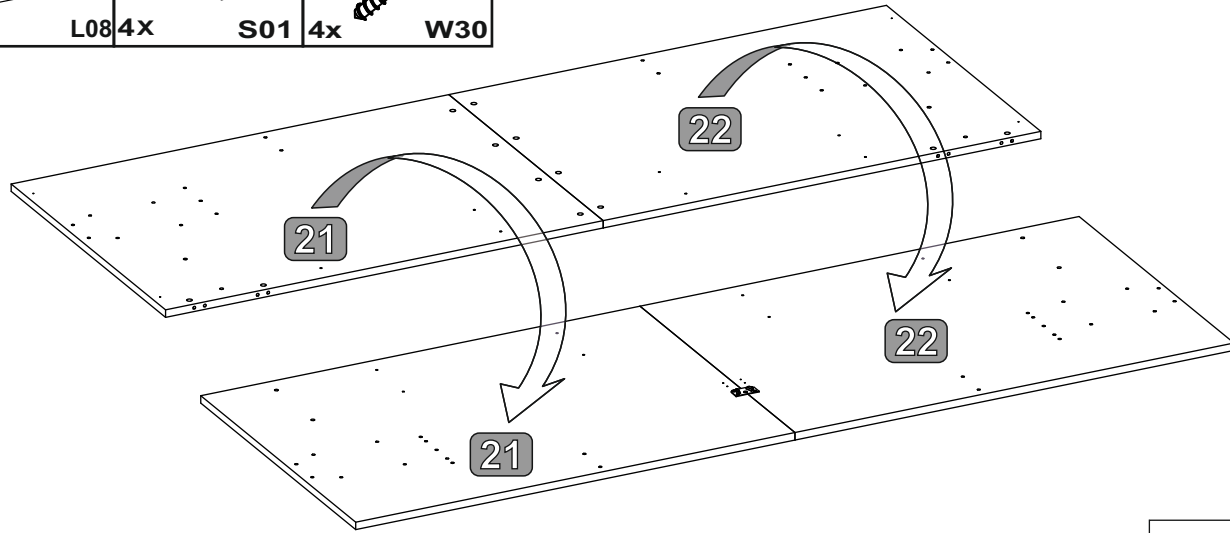
17




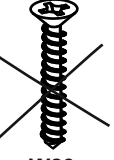
15x12			8x28
	T02		T03
12x		4x	8x
			D01



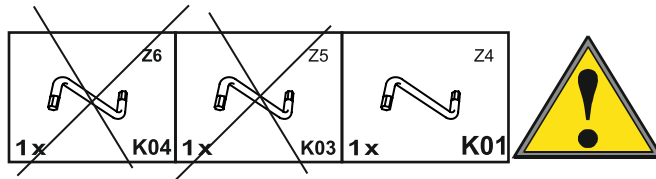
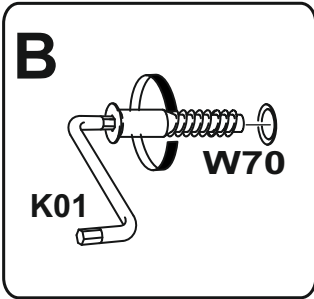
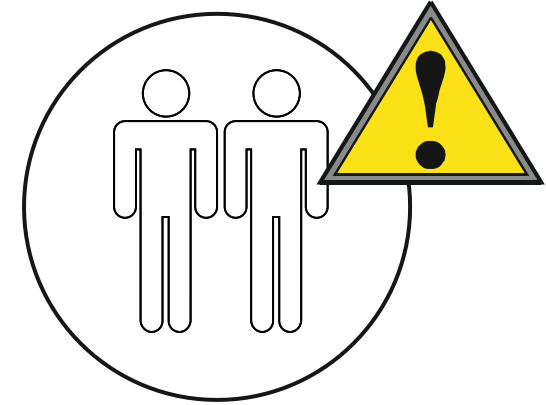
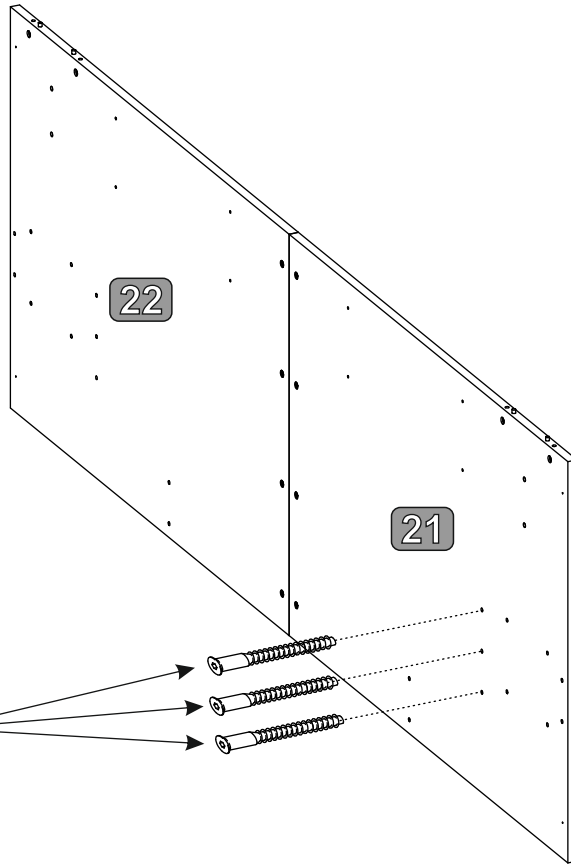
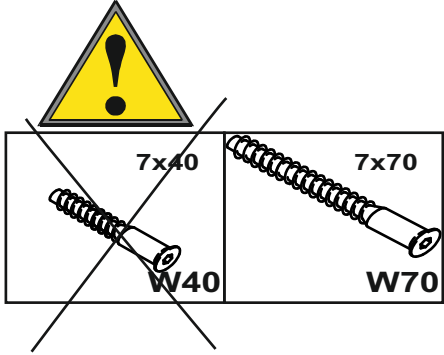
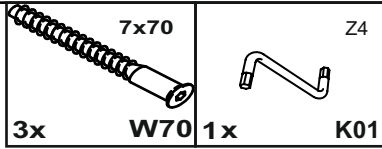
18

 1x L08	 4x S01	 4x W30
--	---	---



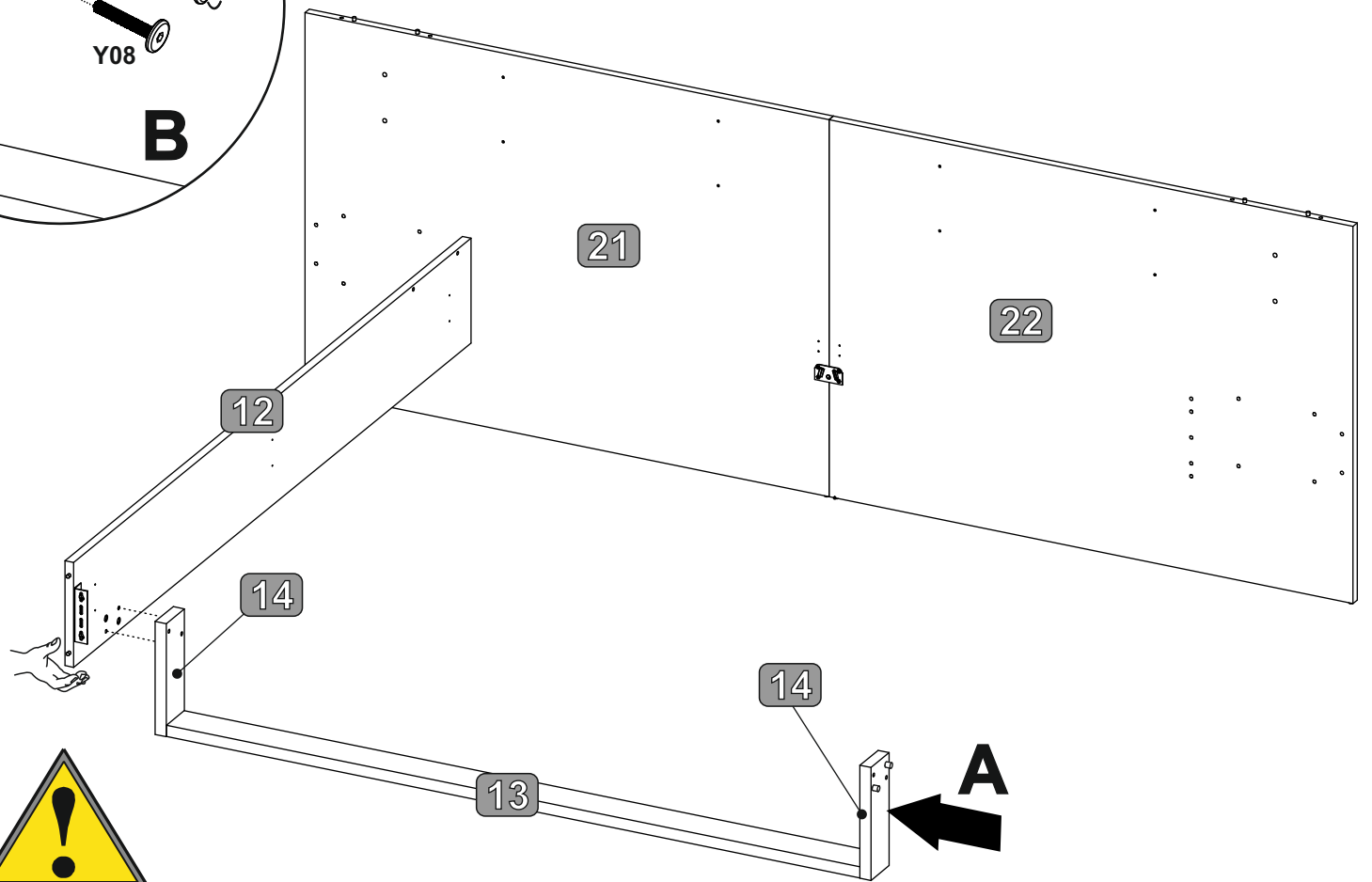
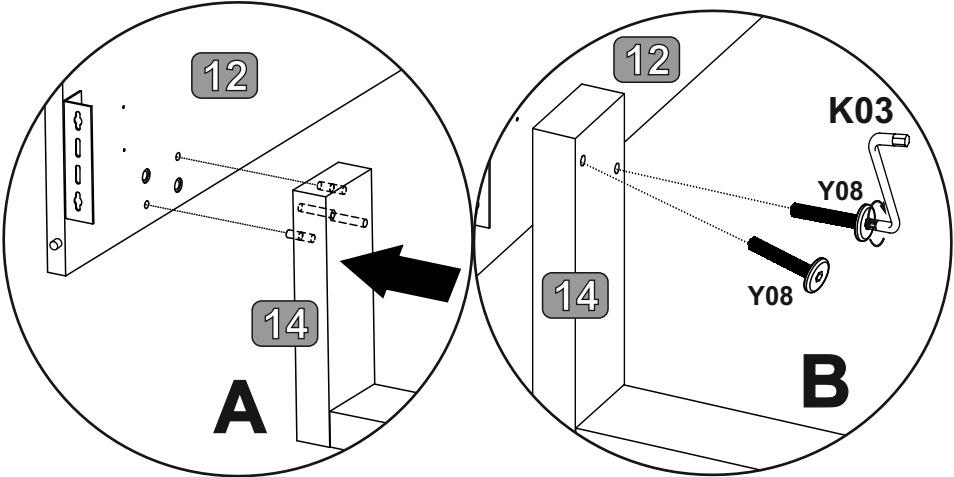
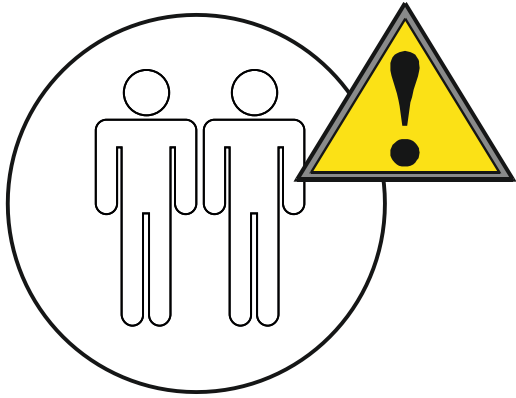
			
	W02 3,5x13	W30 3,5x16	W23 4x30

19



20



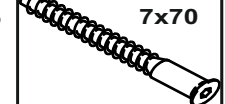

M8x45	Z5
2x	1x
Y08	K03







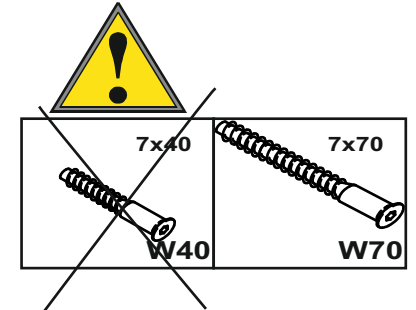
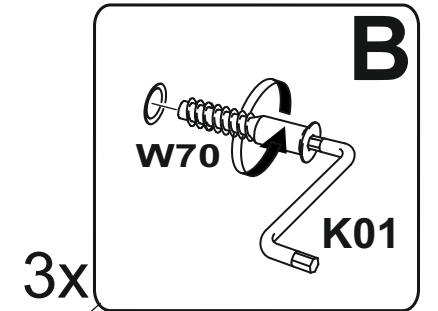
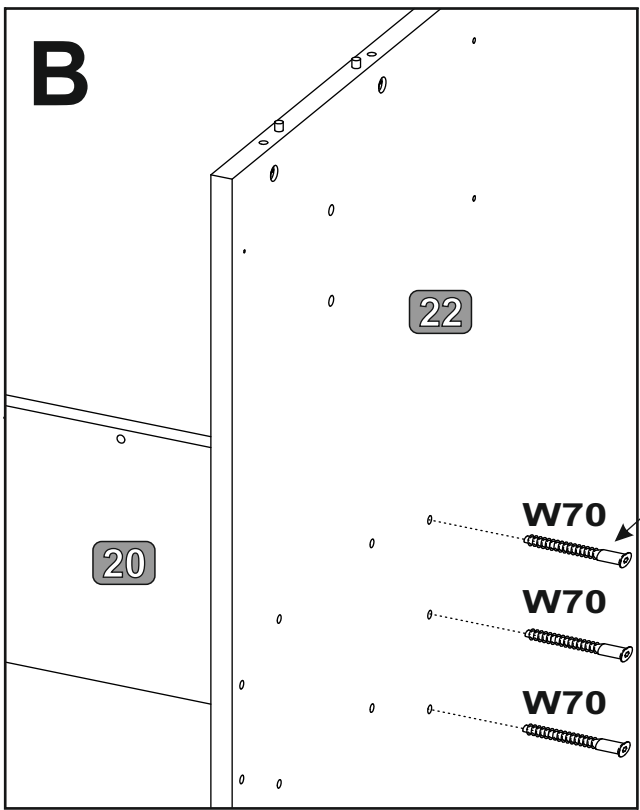
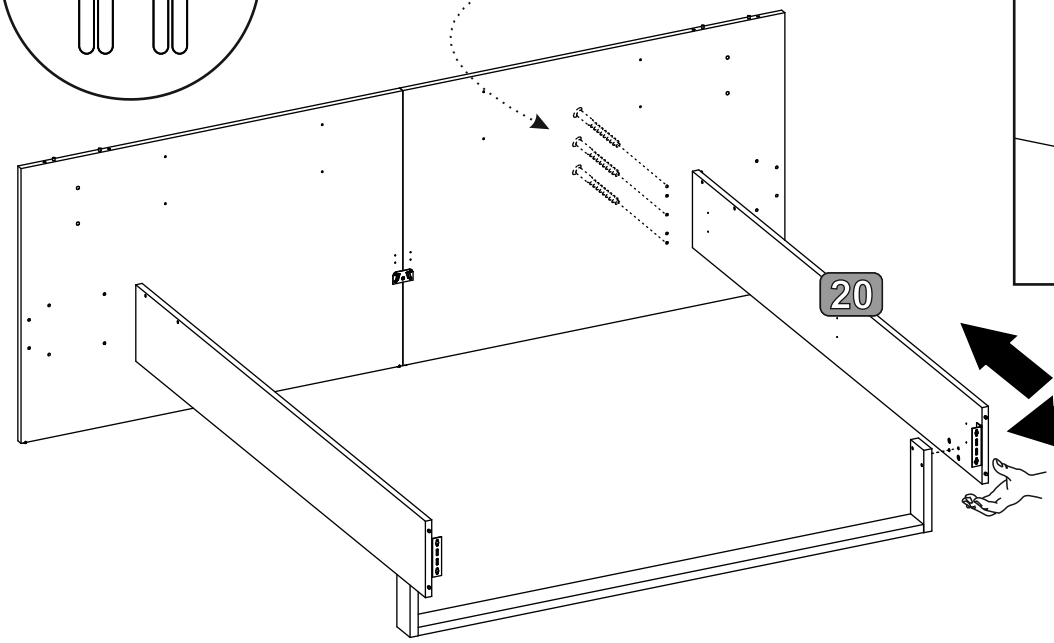
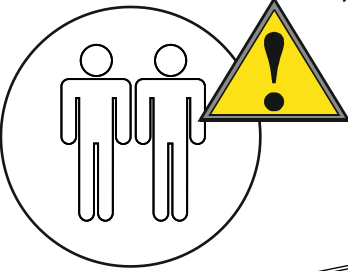
Z6	Z5	Z4
		
1x	1x	1x
K04	K03	K01







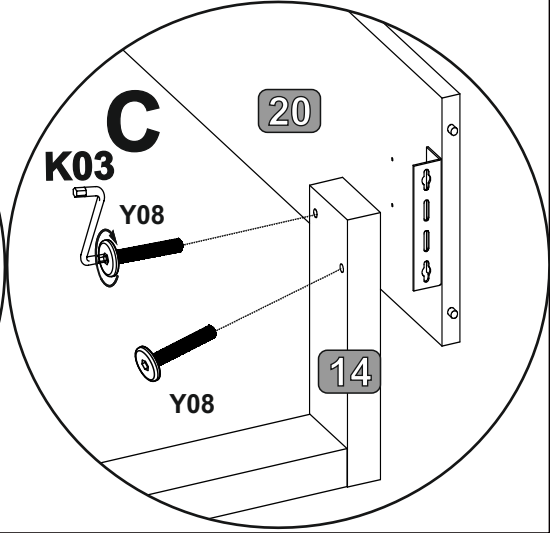
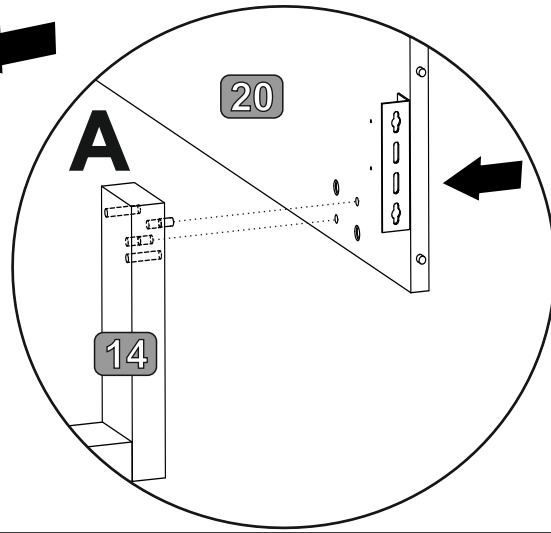
21

M8x45 	Z5 	7x70 	Z4 
2x Y08	1x K03	3x W70	1x K01

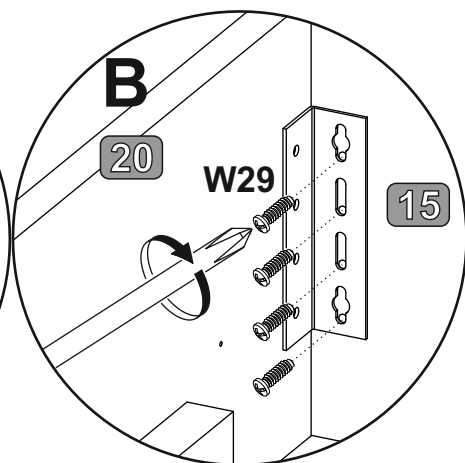
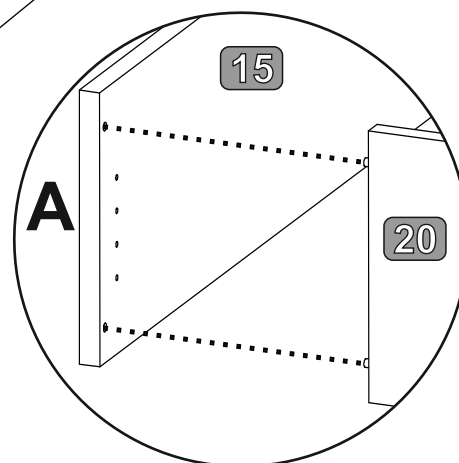
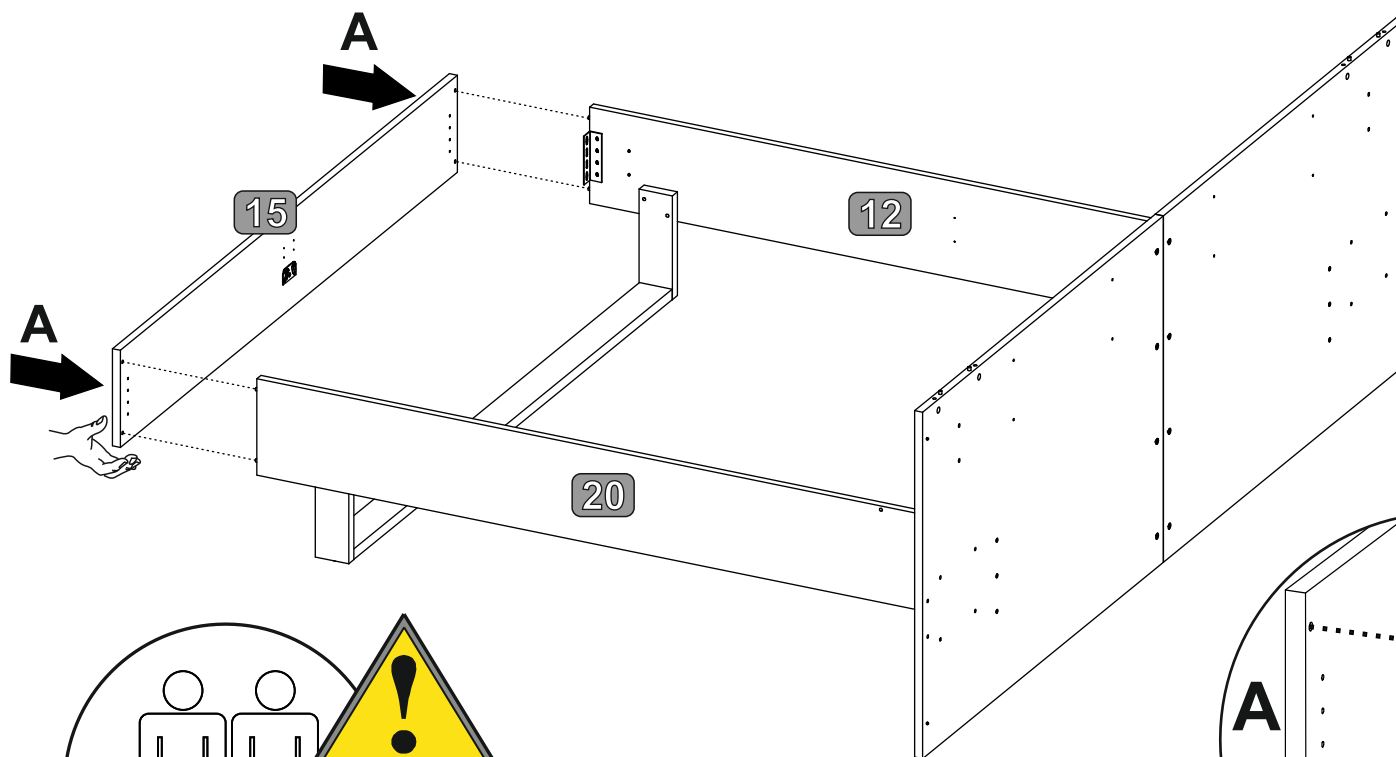
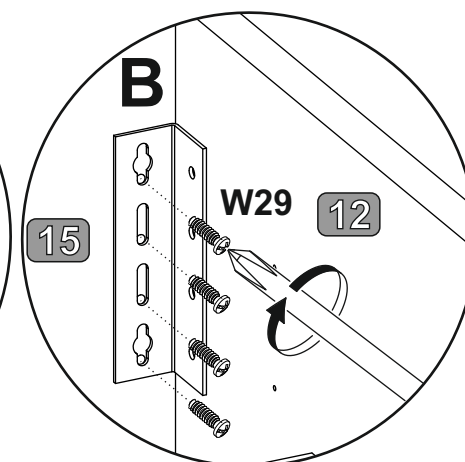
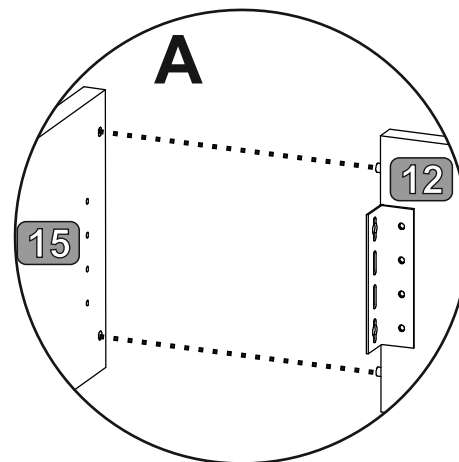
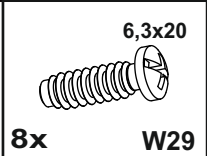
Z6 	Z5 	Z4 	
1x K04	1x K03	1x K01	



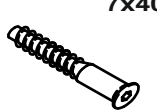
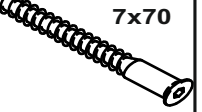

Z6 	Z5 	Z4 	
1x K04	1x K03	1x K01	

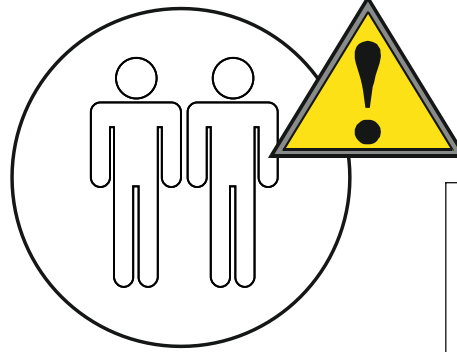


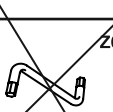
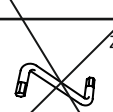
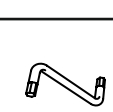

22

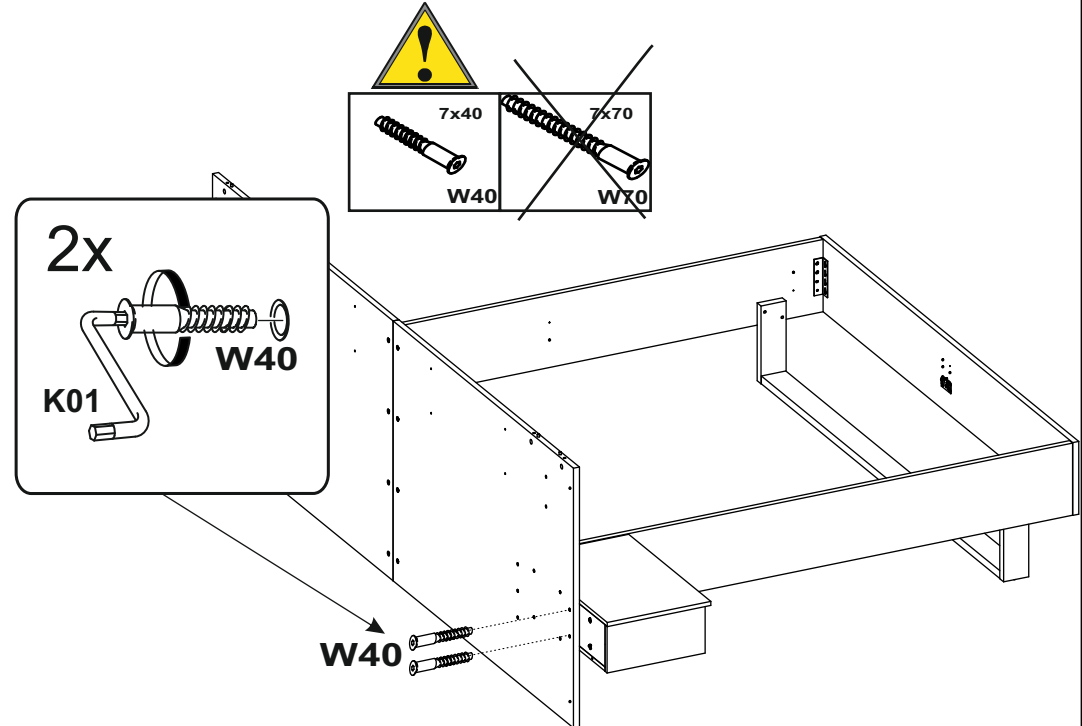
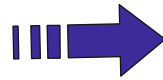
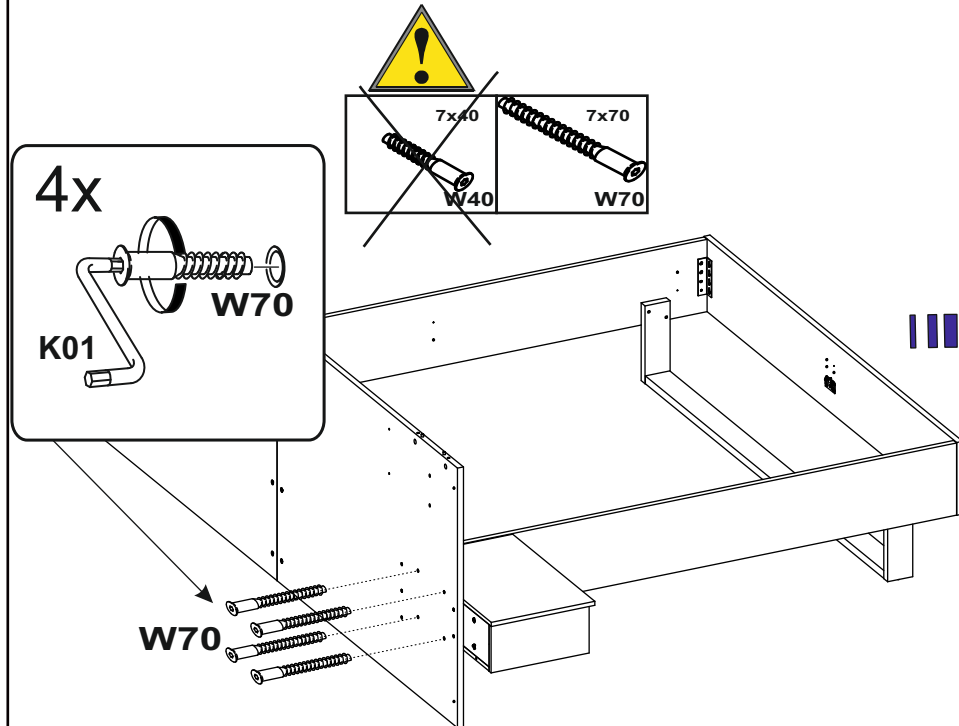
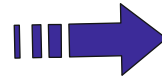
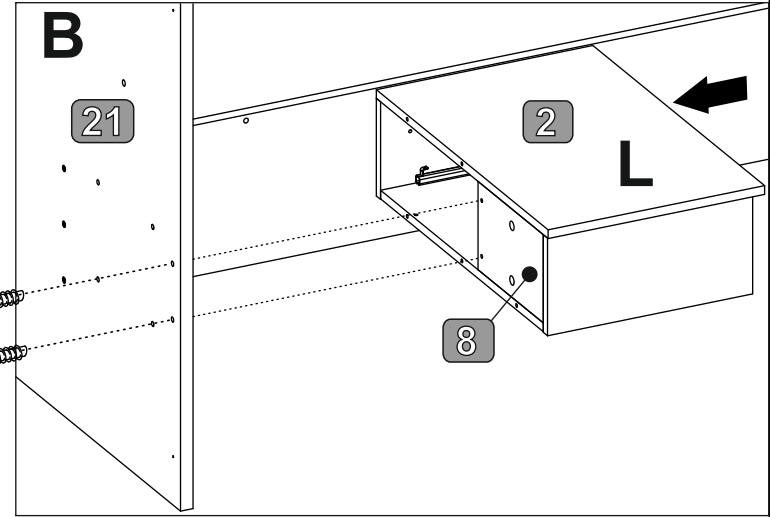
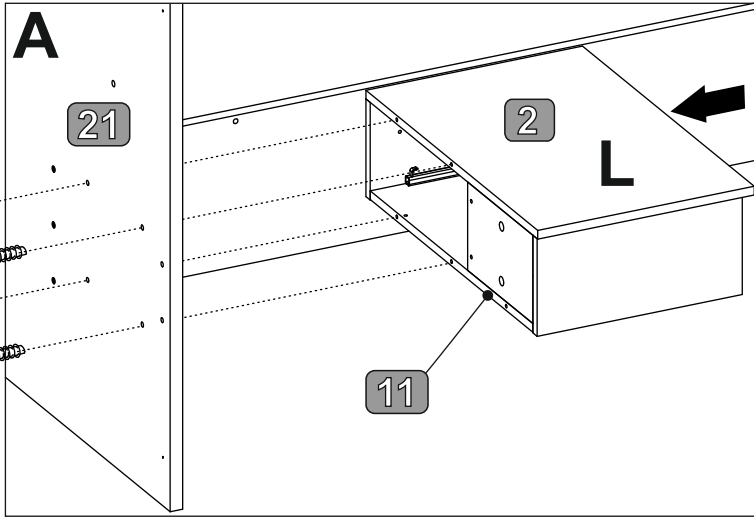


23

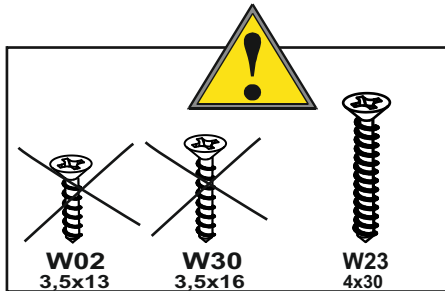
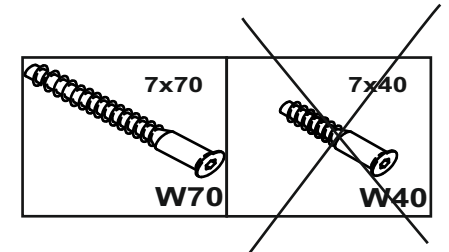
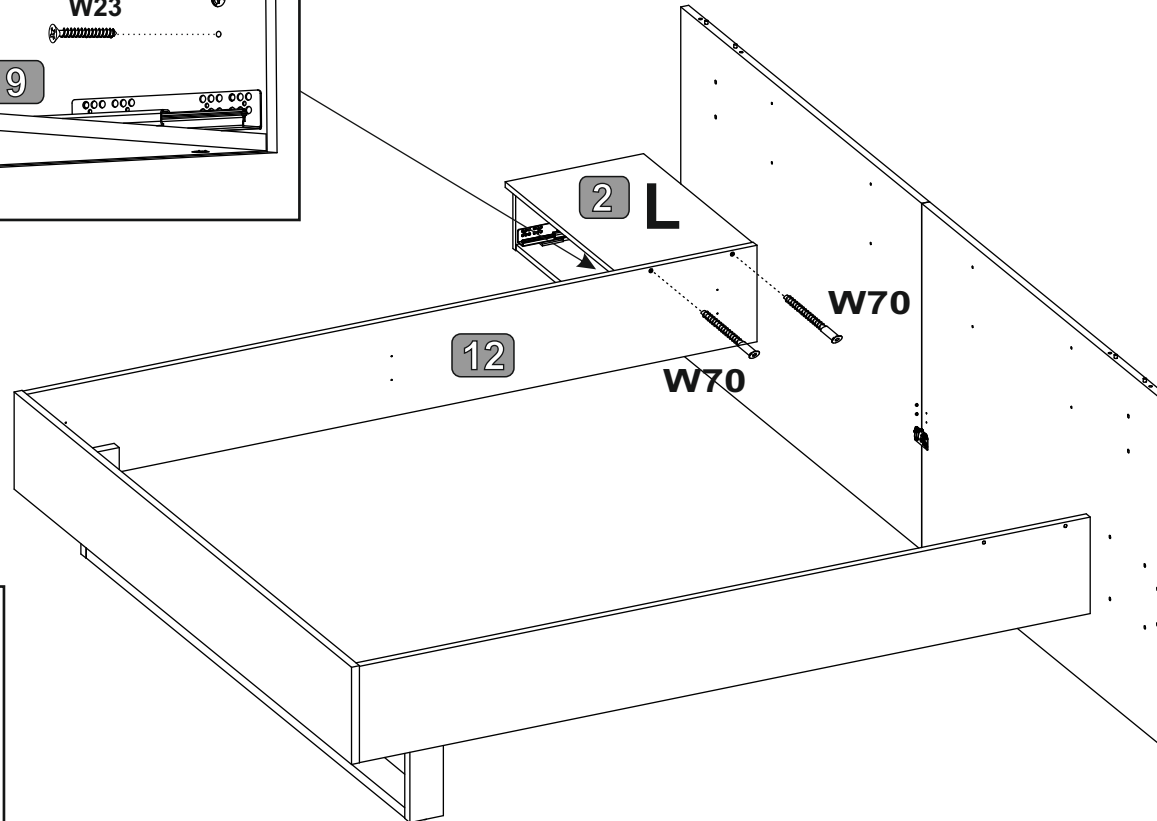
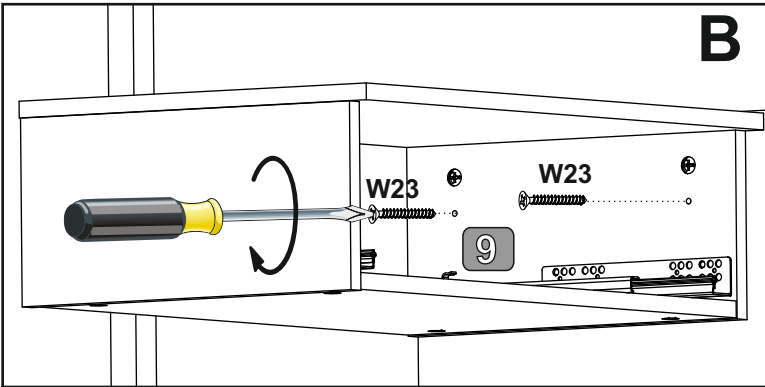
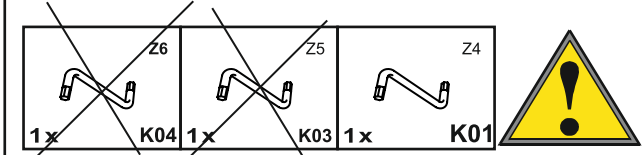
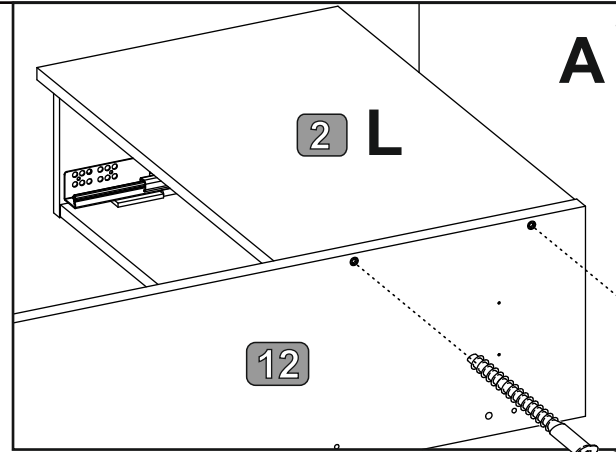
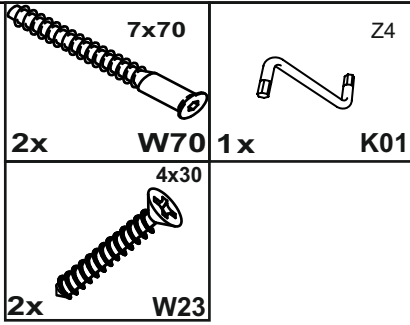
 7x40 2x W40	 7x70 4x W70	 Z4 1x K01
--	--	--




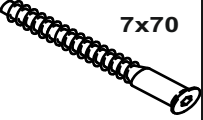


 Z6 1x K04	 Z5 1x K03	 Z4 1x K01	
--	--	--	---

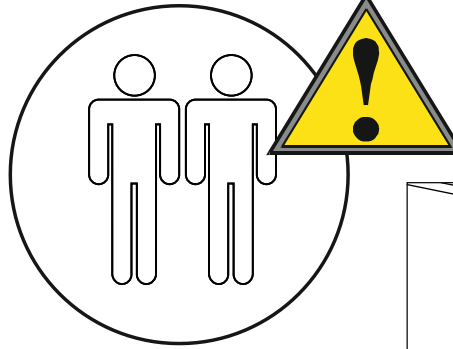






24

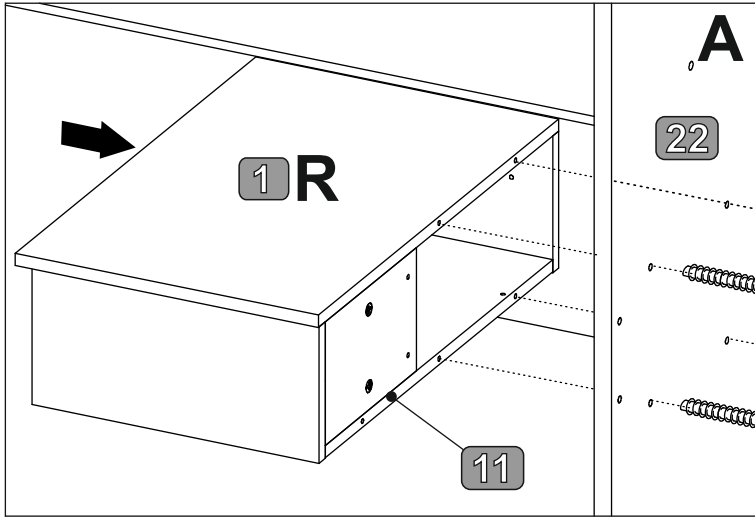


25

 7x40 2x	 7x70 4x	 Z4 1x	 Z4 K01
---	--	---	--



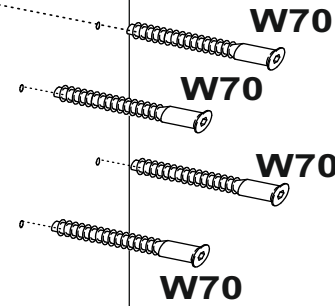
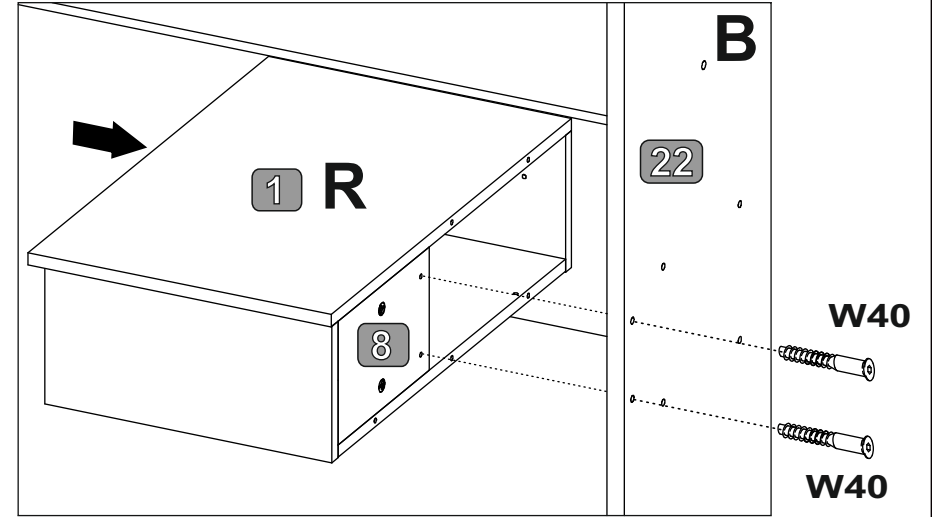
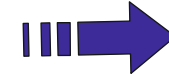
 Z6 1x	 Z5 1x	 Z4 1x	
--	--	--	---



A

22

W70
W70
W70
W70



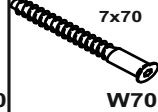



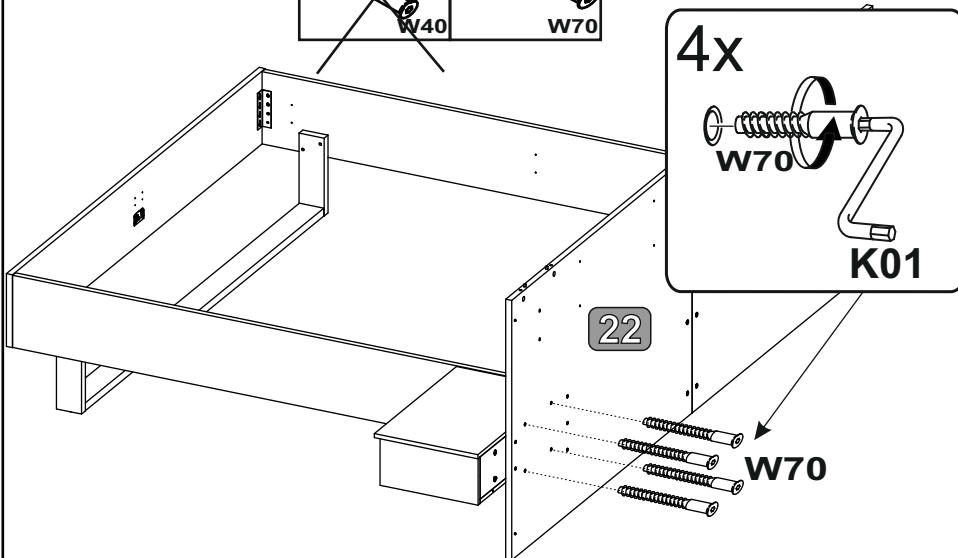
B

22

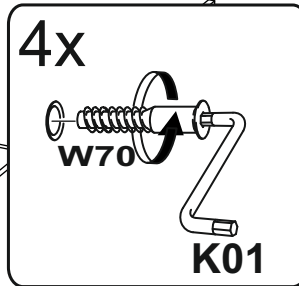
W40
W40



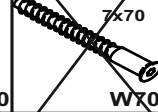


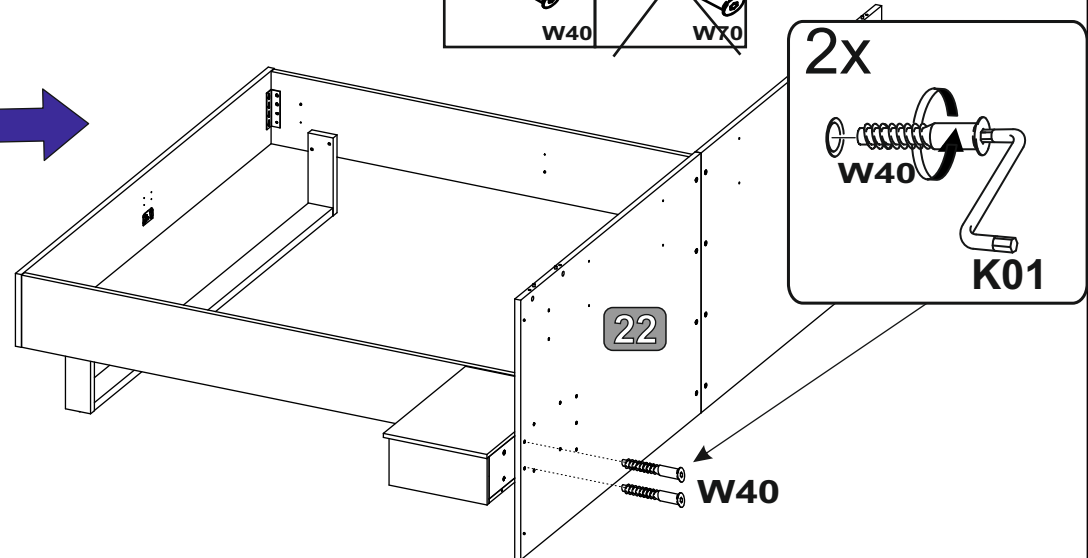
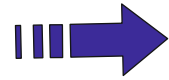

~~
7x40
W40~~
~~
7x70
W70~~



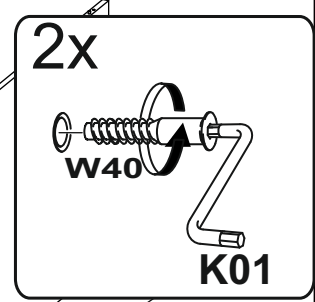
4x
W70
K01




~~
7x40
W40~~
~~
7x70
W70~~



2x
W40
K01



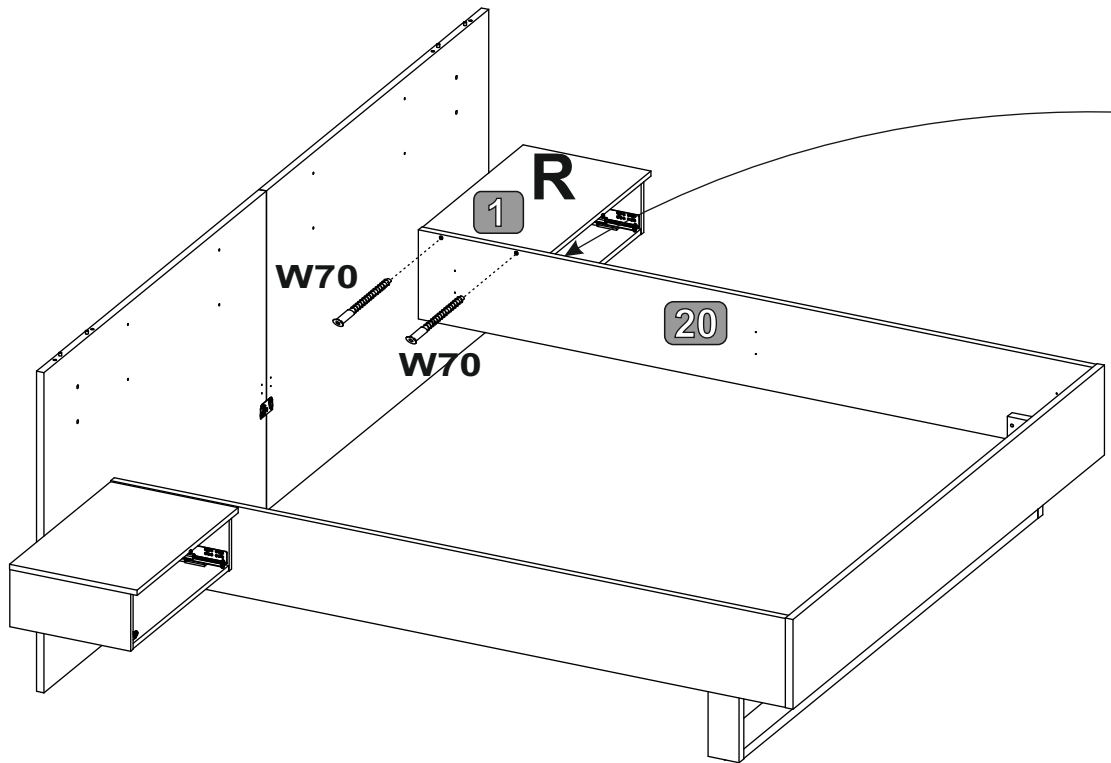
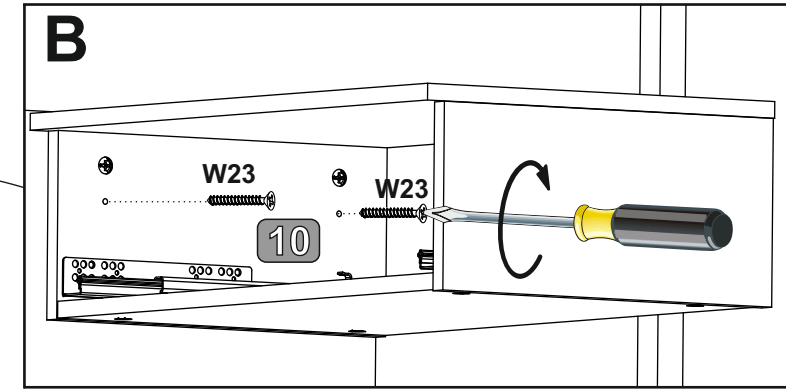
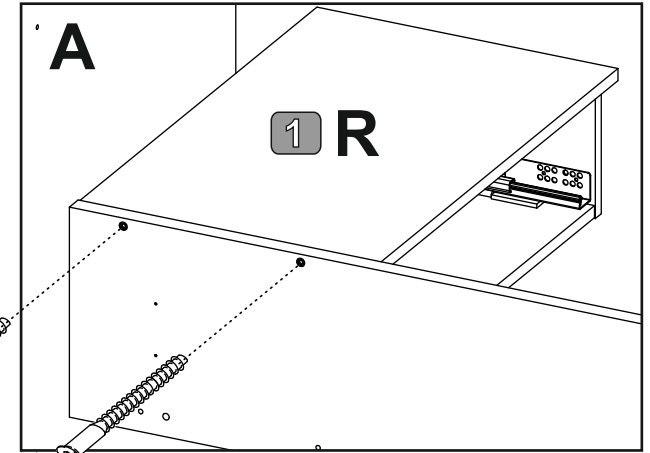
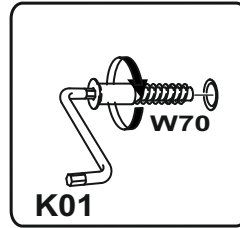
26

2x 7x70 W70	1x Z4 K01
2x 4x30 W23	



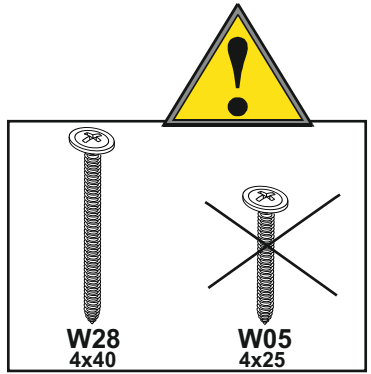
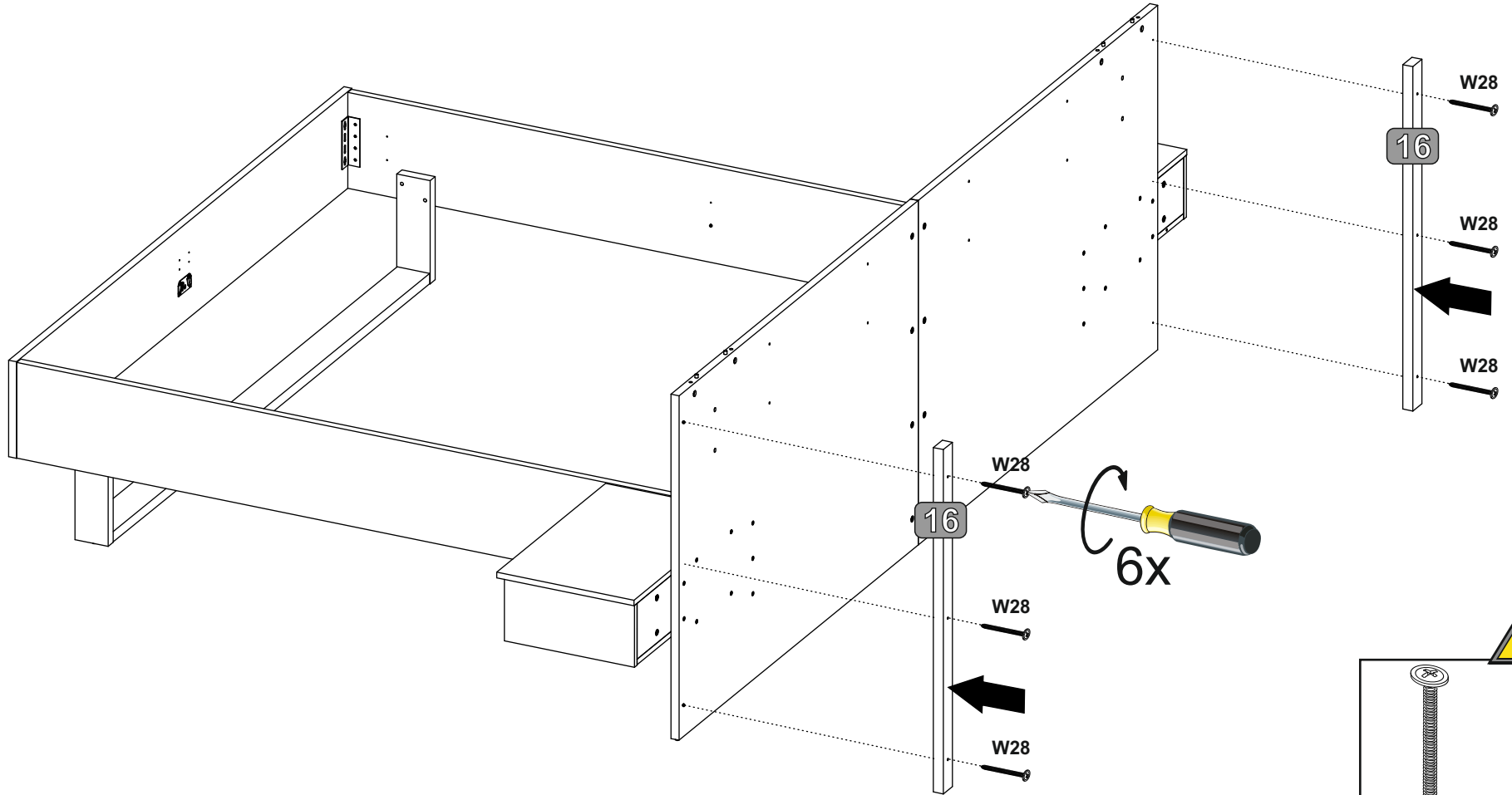
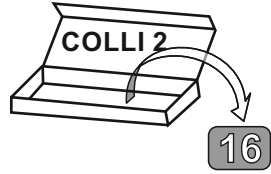
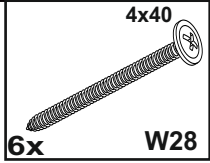
1x Z6 K04	1x Z5 K03	1x Z4 K01	
------------------------------	------------------------------	-----------------	--

7x70 W70	7x40 W40
-------------------------	-------------------------

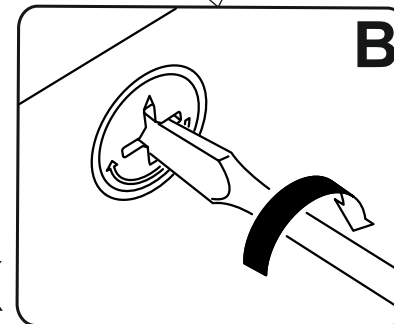
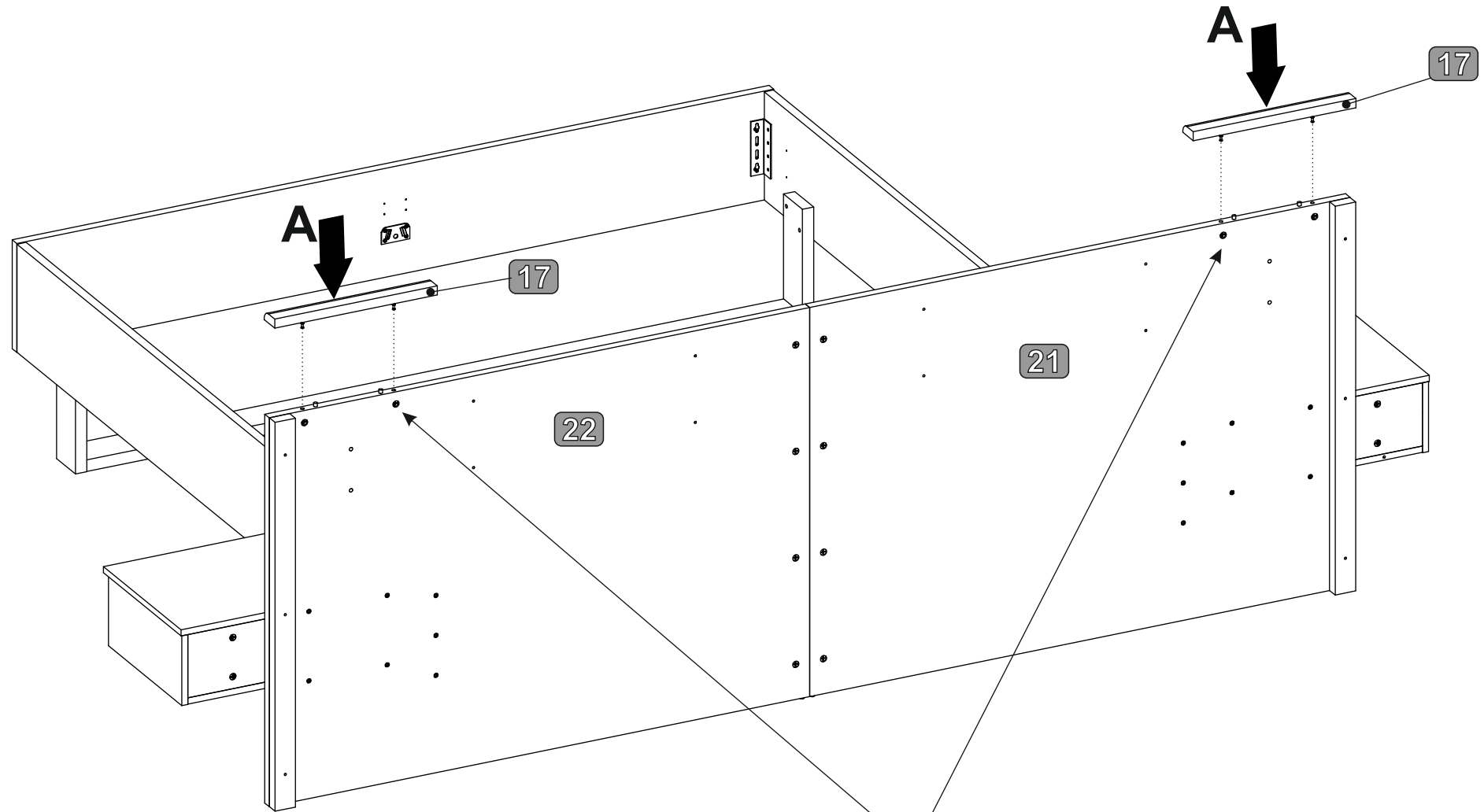


W02 3,5x13	W30 3,5x16		W23 4x30
---------------------------	---------------------------	--	-------------

27

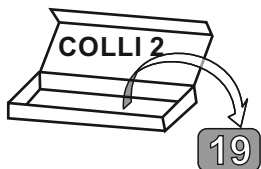
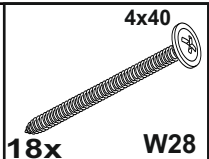


28

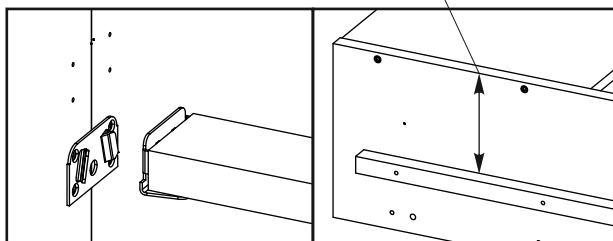


4x

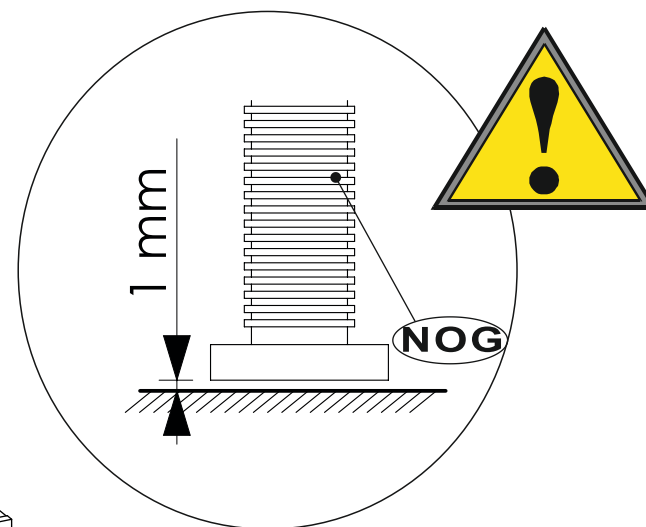
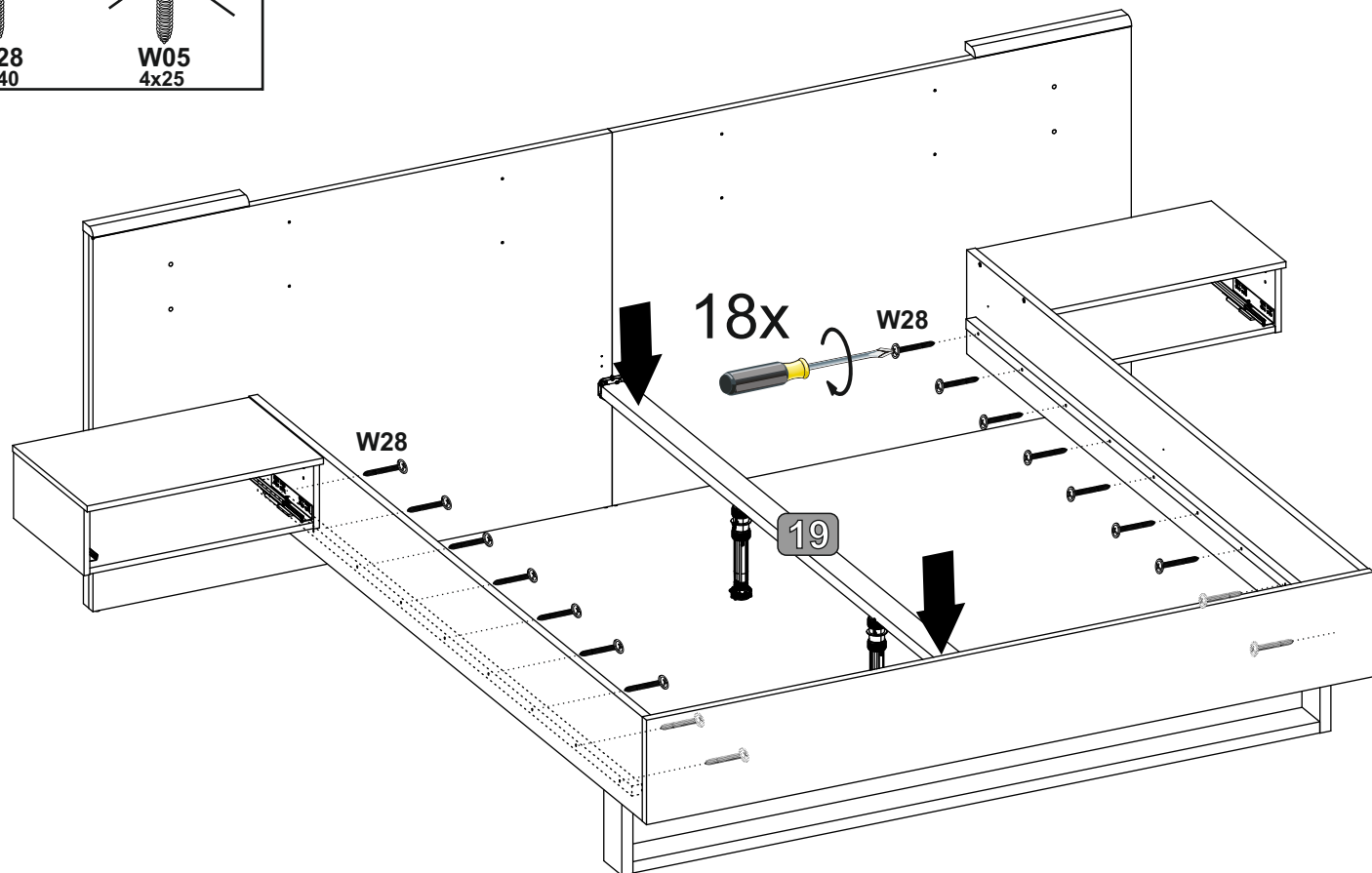
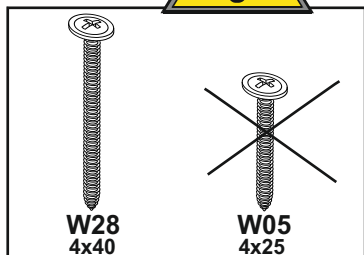
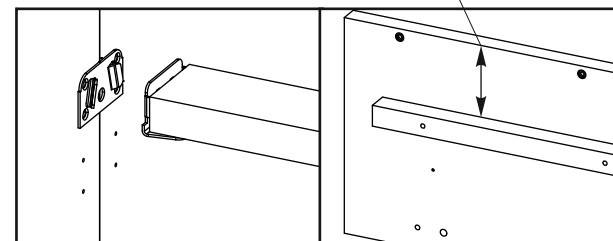
29



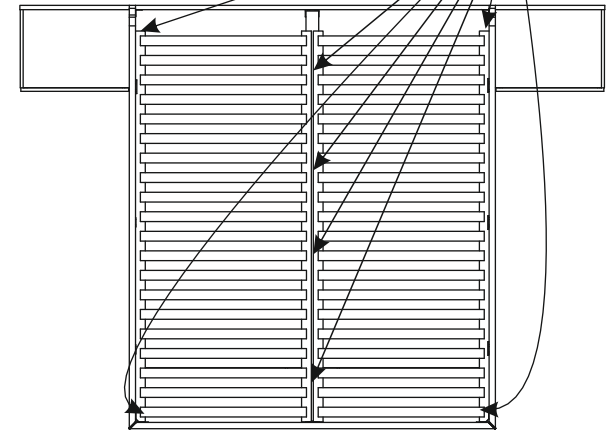
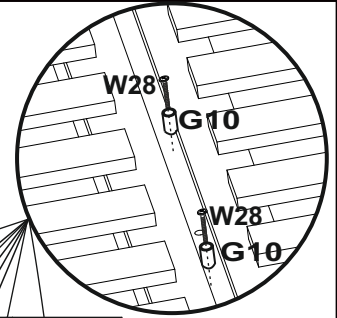
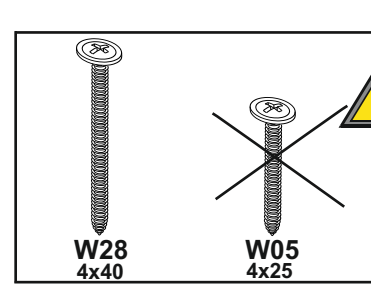
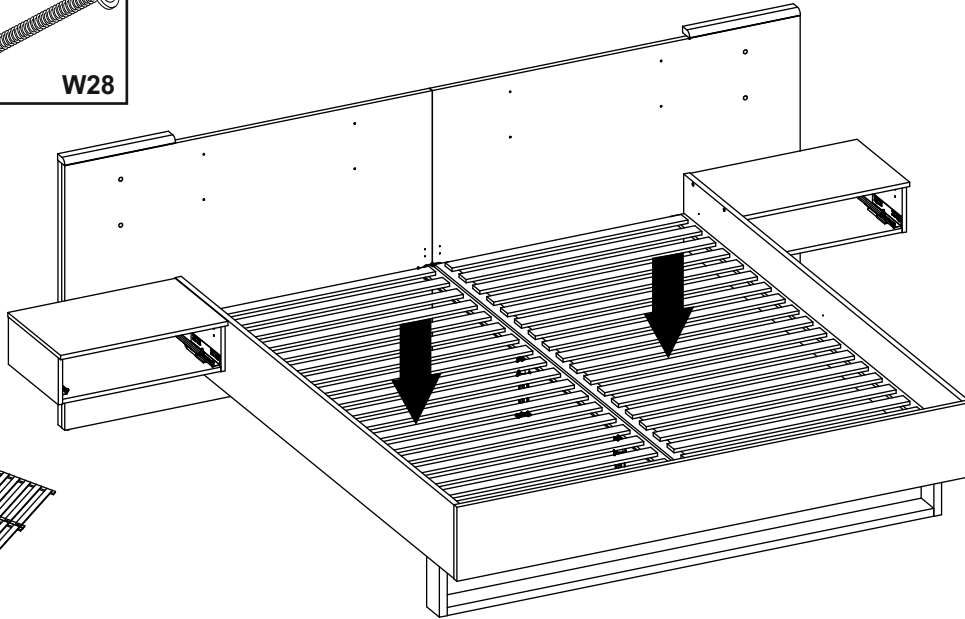
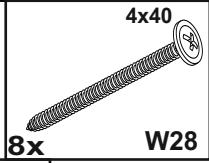
V.A 149mm



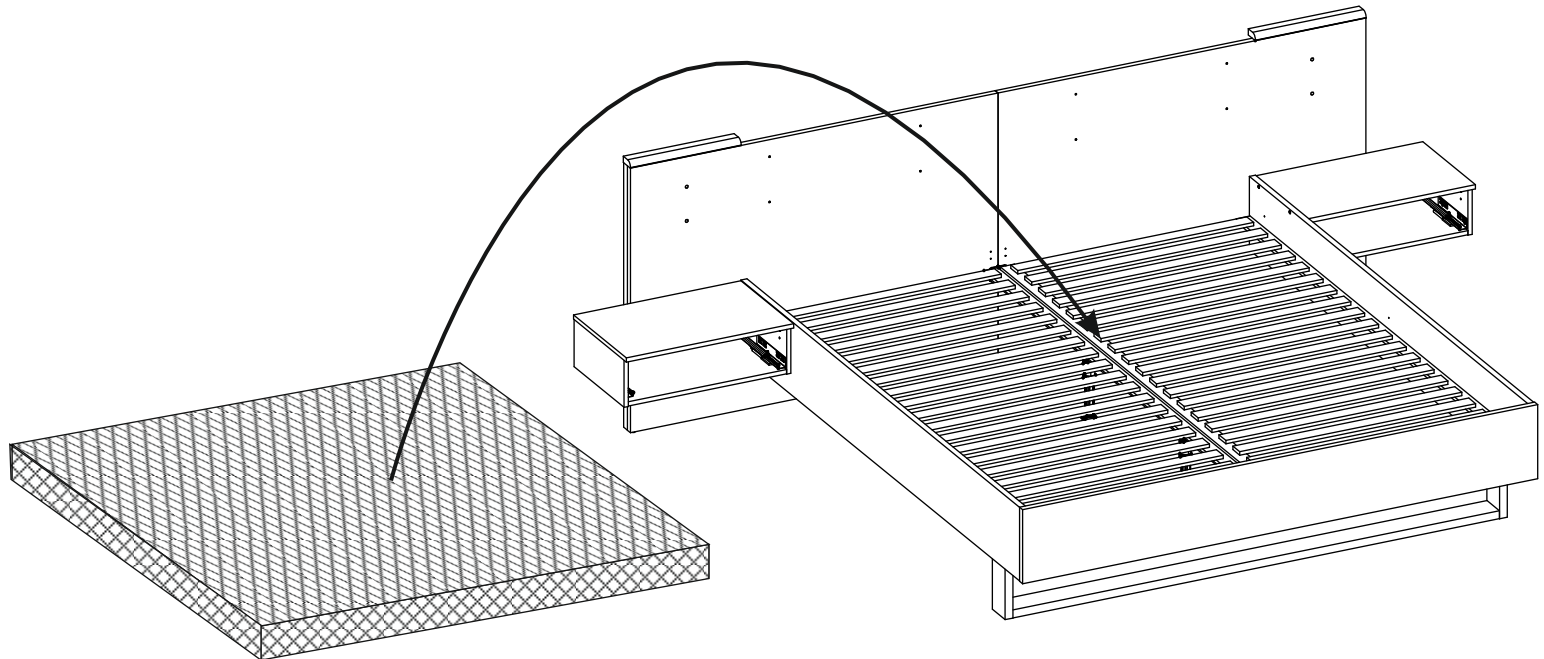
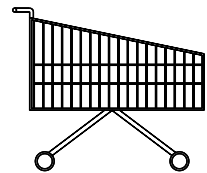
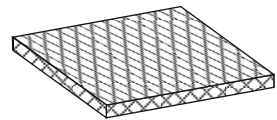
V.B 85mm



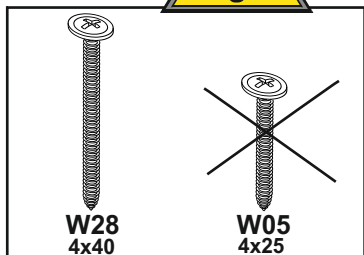
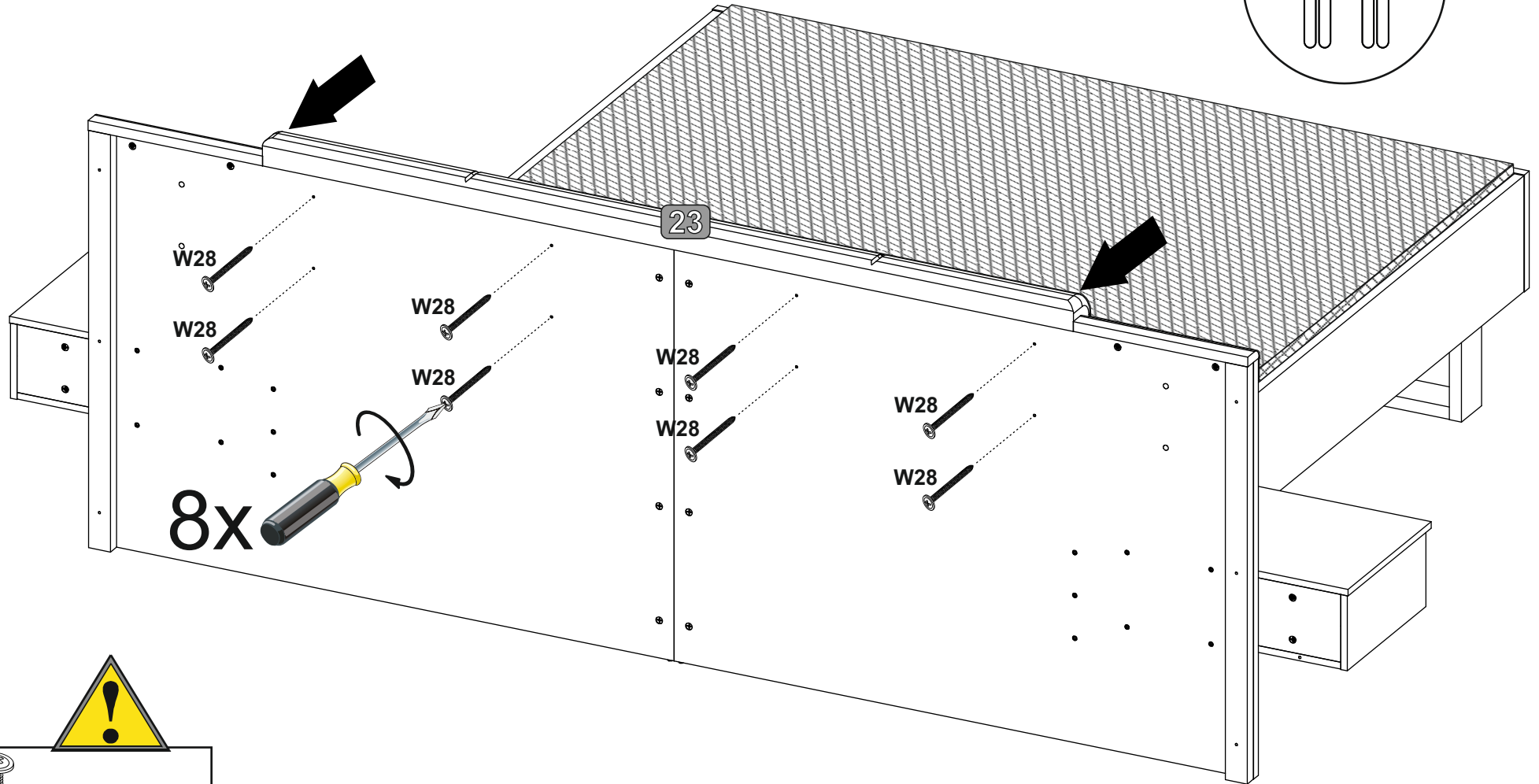
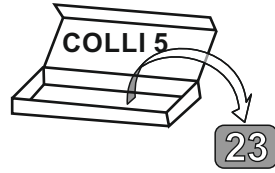
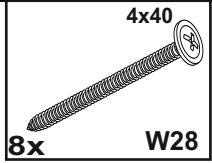
30



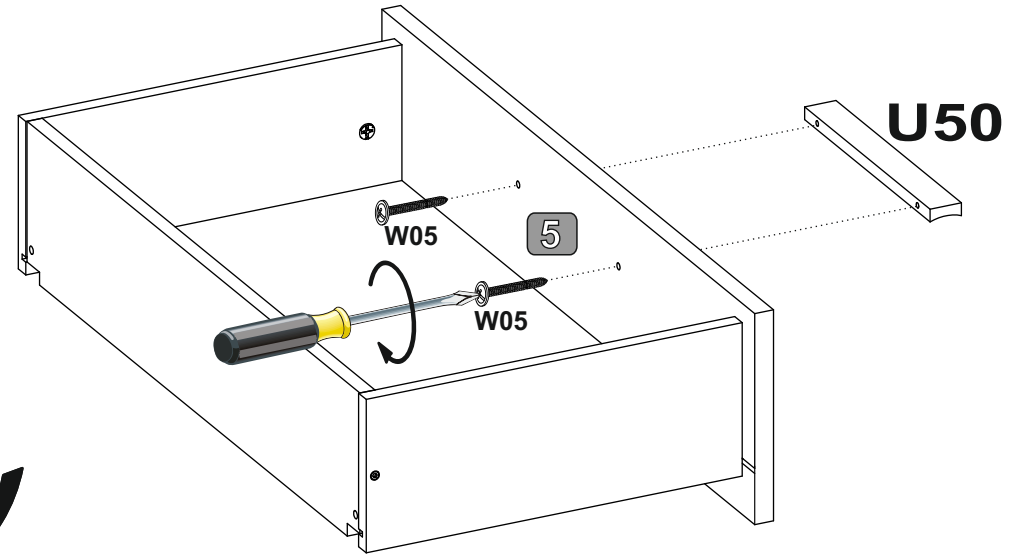
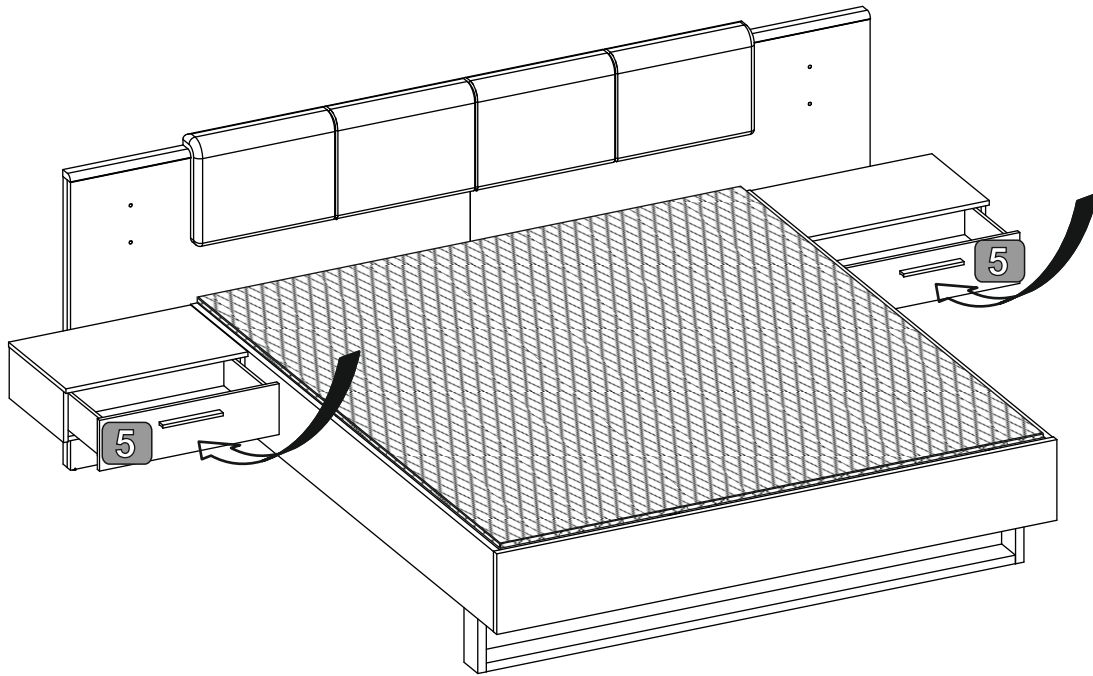
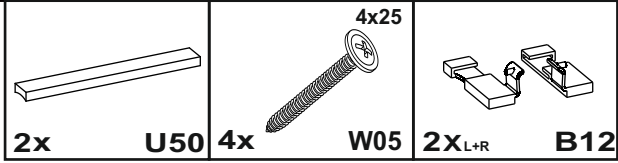
31



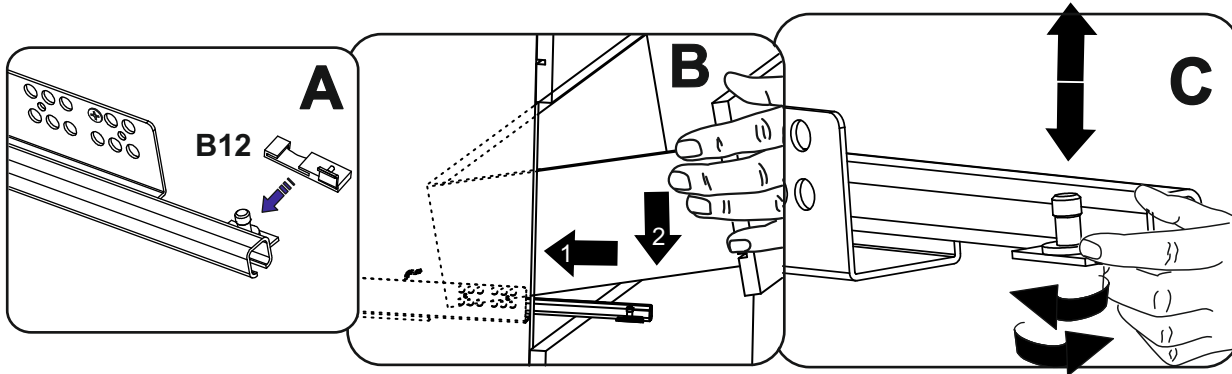
32



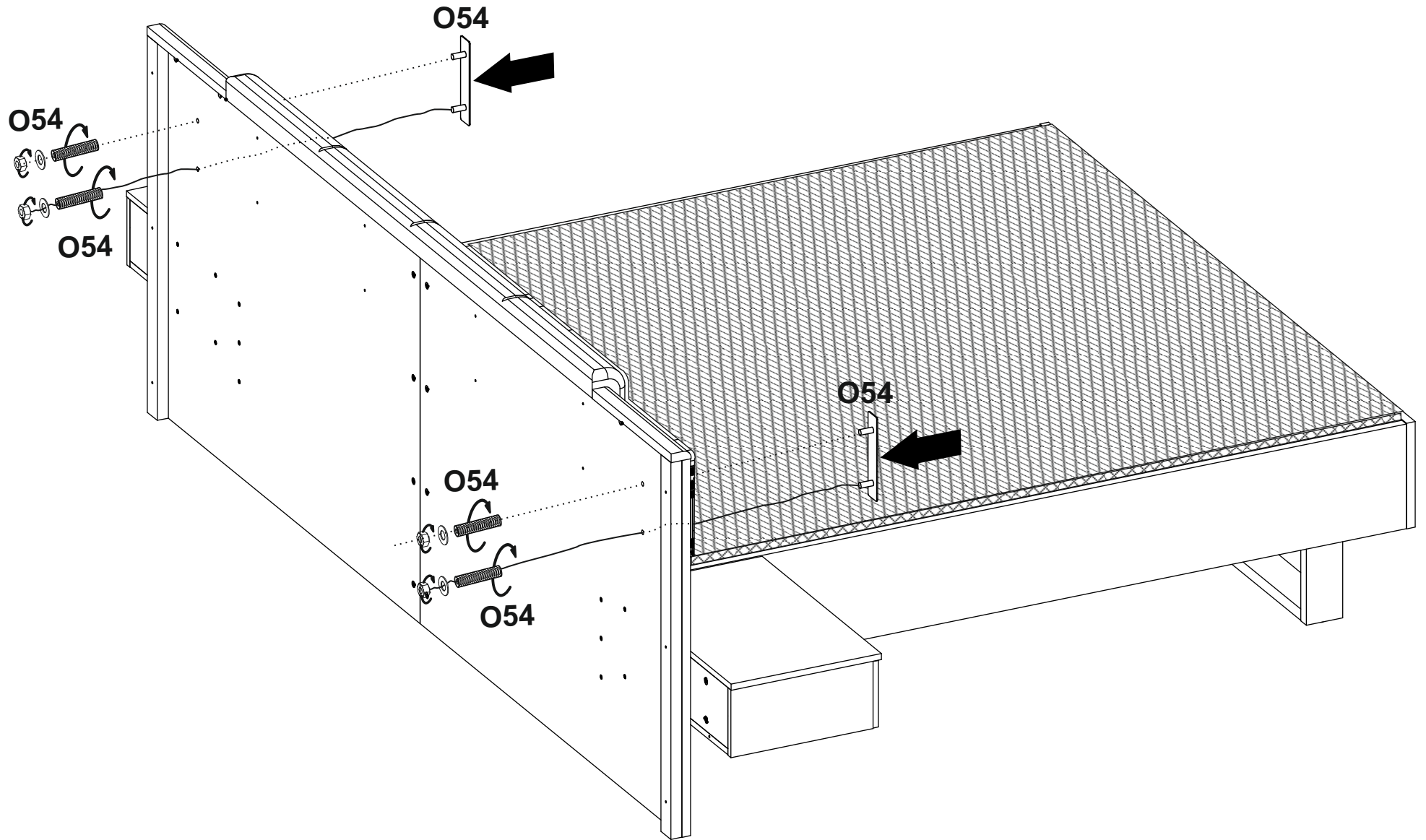
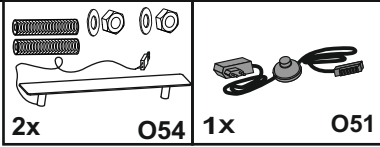
33



[2x]



34



35

LIV'IN
1x LIV'IN

