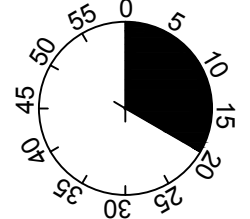
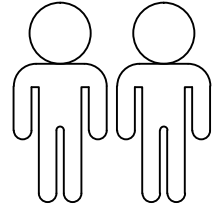
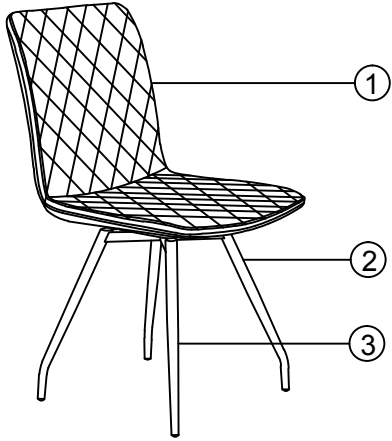


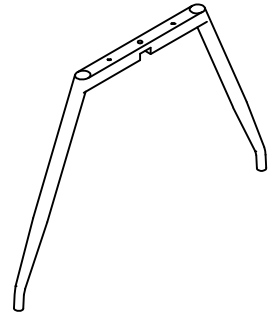
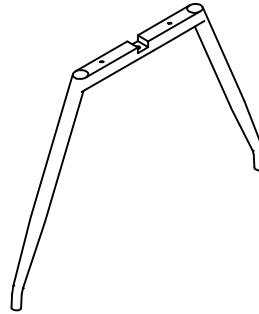
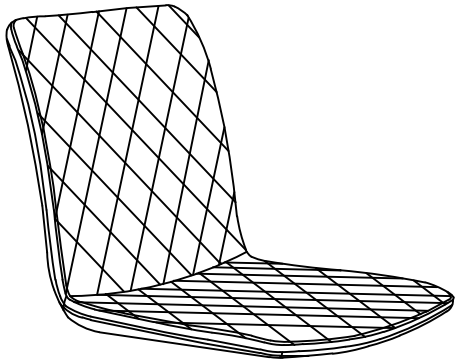
Tatjana



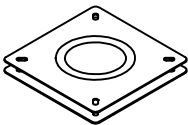
1

2

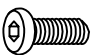
3





4

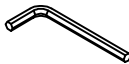


1	1 x
2	1 x
3	1 x
4	1 x

A M6X20

 8x

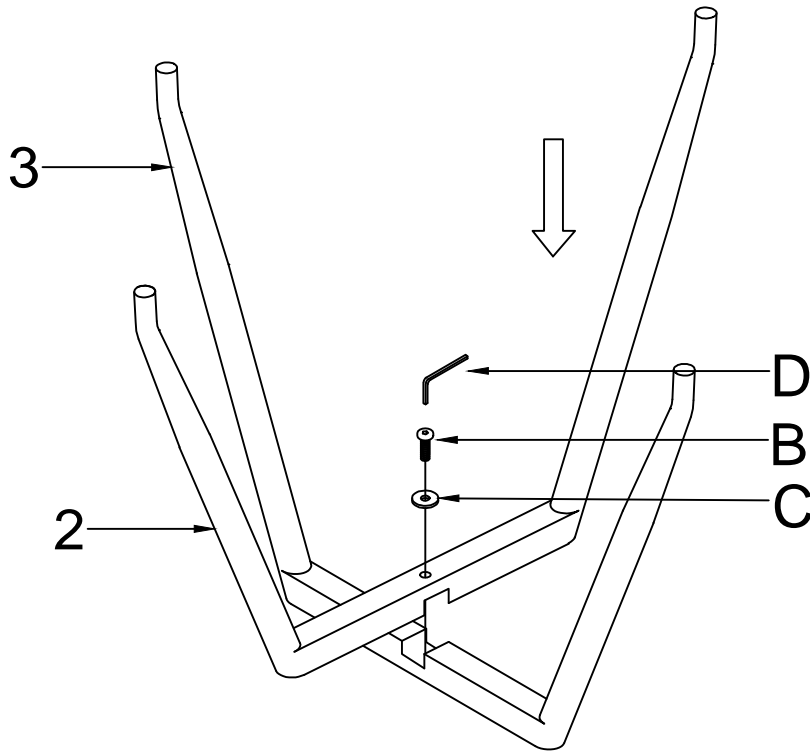
B M6x25

 1x

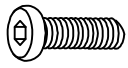

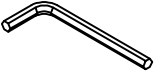

C Ø18xØ6x1.5

 9x

D 4MM

 1x

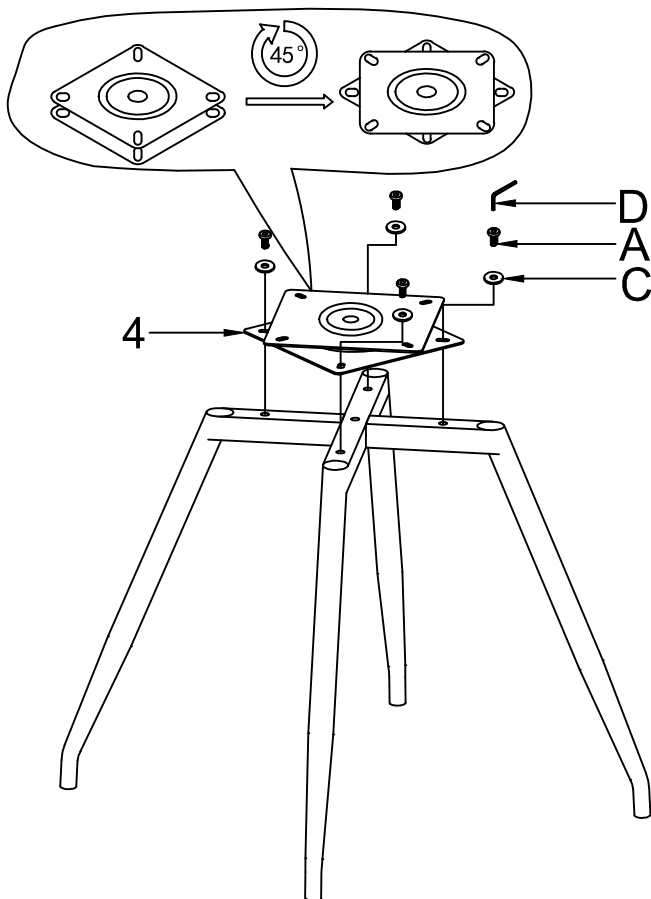
I.

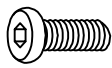



1



B	M6x25
	1x
C	Ø18xØ6x1.5
	1x
D	4MM
	1x
	

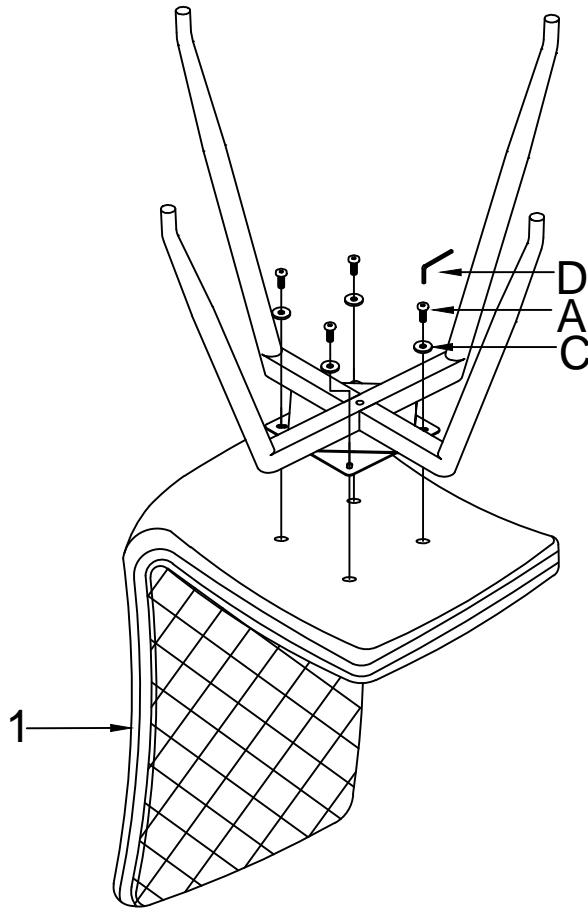
2

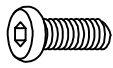

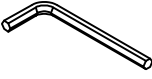



A	M6X20
	4x
C	Ø18xØ6x1.5
	4x
D	4MM
	1x
	

II.

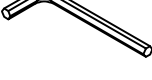
3



A	M6X20
	4x
C	Ø18xØ6x1.5
	4x
D	4MM
	1x
	

4



D	4MM
	1x
