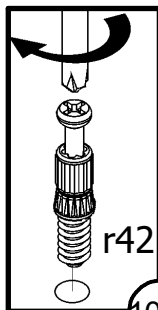


A	B	C1	C2	C3	D
1	L125-0001	1810	1110	130	6/6
2	L125-1001	1978	190	22	2/6
3	L125-1002	1978	190	22	2/6
4	L125-1003	1802	190	22	1/6
5	L125-1004	1956	168	16	2/6
6	L125-1005	1756	190	22	2/6
7	L125-4001	1070	100	22	1/6
8	L125-4002	870	100	22	2/6
9	L125-4003	1851	100	22	2/6
10	L125-4004	1955	60	22	2/6
11	L125-4005	870	100	22	1/6
12	L125-4006	1070	100	22	1/6
13	L125-5301	2000	900	160	4/6
14	L125-5302	2000	900	180	5/6
15	L125-9001	868	976	2,5	6/6
16	L125-5304	2000	900	160	4/6
17	L125-5303	2000	900	180	5/6

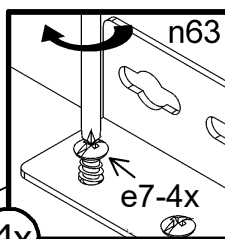
3/6		
3x Ø7x50 mm e1	32x Ø6,3x16 mm e7	16x Ø8x30 mm f1
9x Ø8x50 mm f6	8x M6x70 mm j72	8x M6x35 mm j115
8x M6x20mm j167	2x k1	2x 151x45x50 k152
3x k153	4x 130x34x34/2 mm n63	1x Ø22/Ø61,5 mm o6
8x Ø4x30 mm p9	3x Ø4x40 mm p10	14x Ø4x35 mm p26
8x Ø4x20 mm p110	26x Ø15x12 mm #16 r1	7x r10
8x M6x10x14 mm r19	12x 20/11 r42	4x m77/L
2x m77/P	2x m77/L	1x z1
1x 6 mm z16		



1 

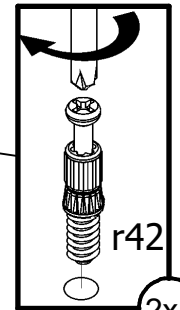
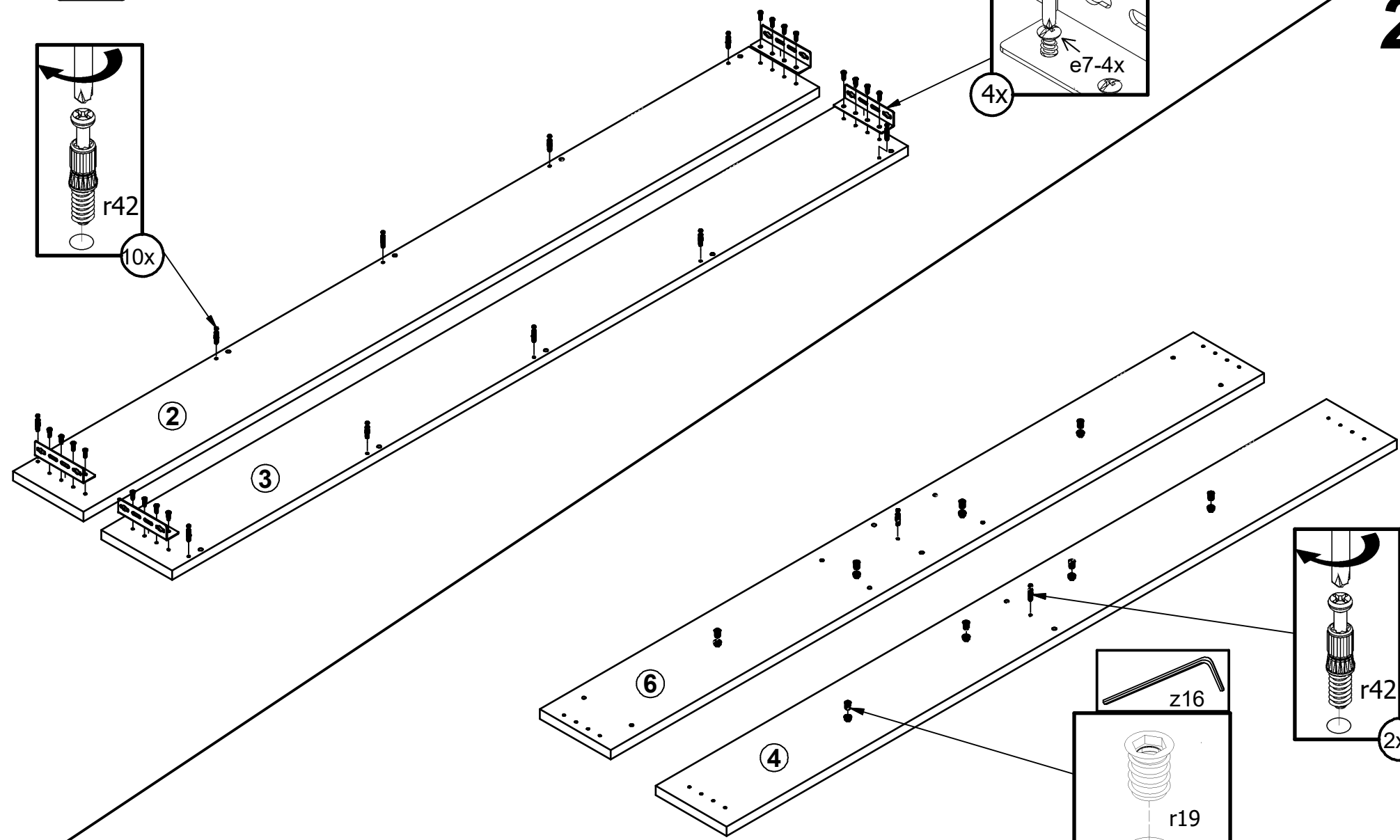


10x

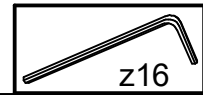


4x

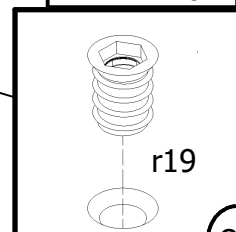
2



2x

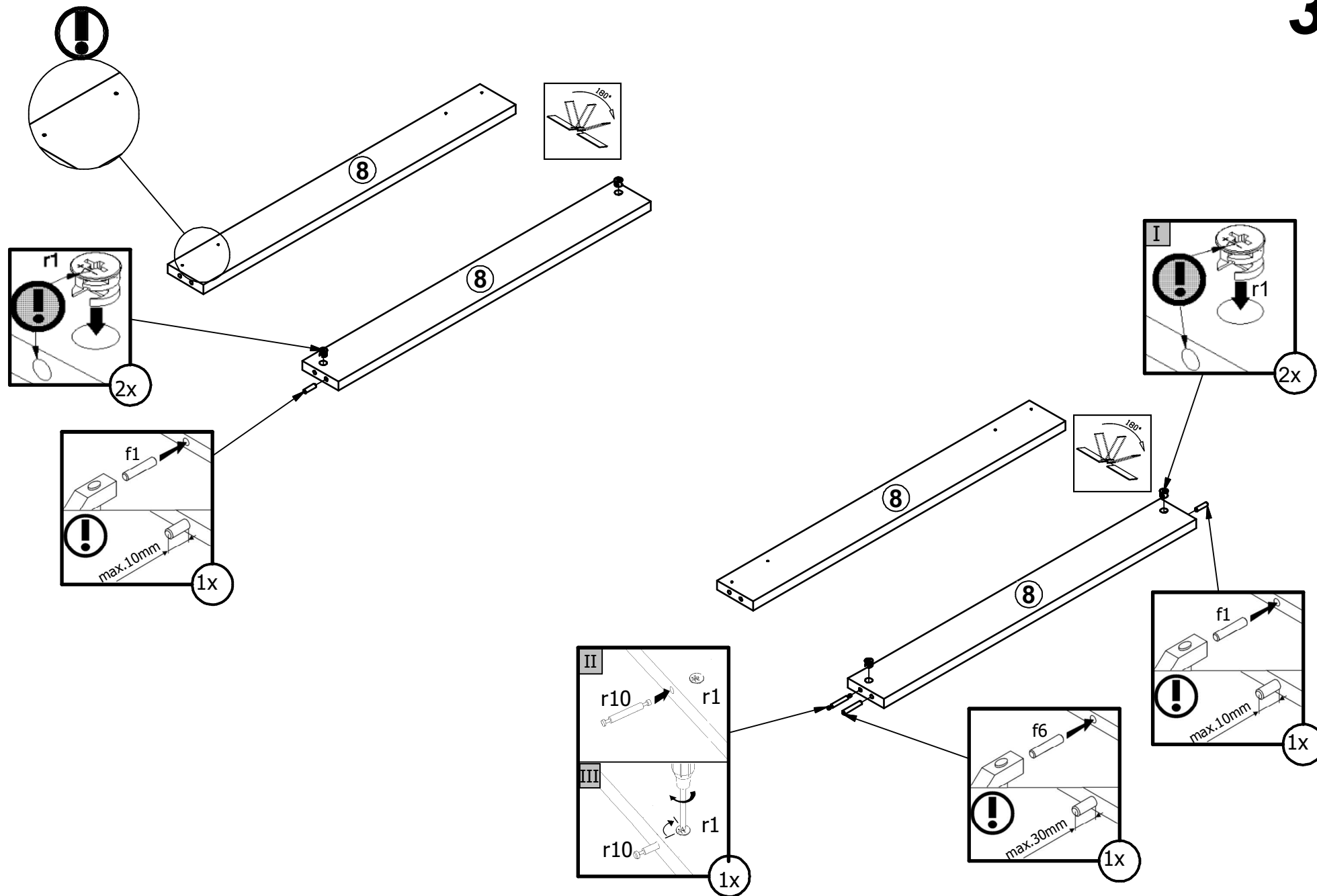


z16



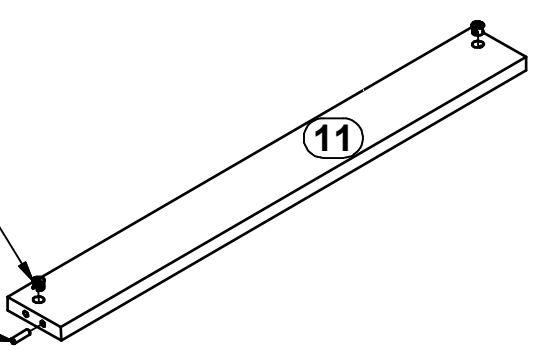
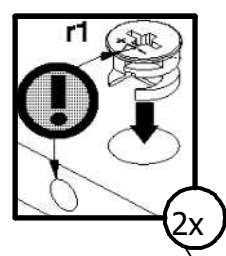
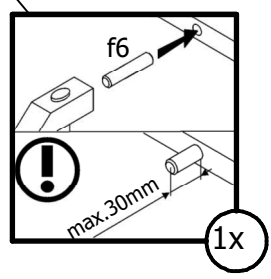
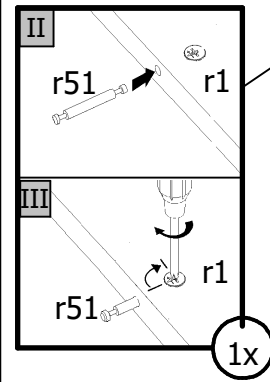
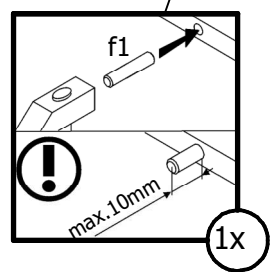
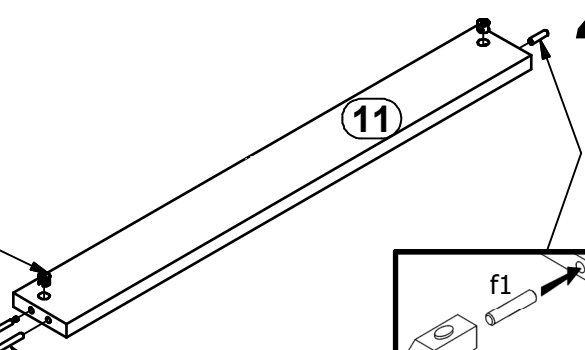
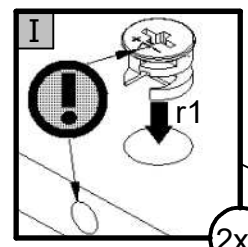
r19

8x

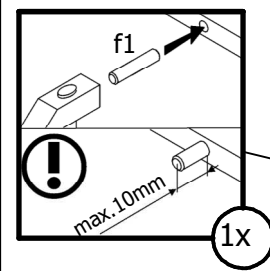


4

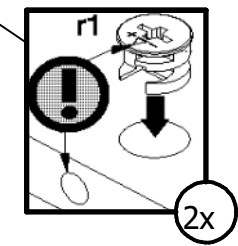
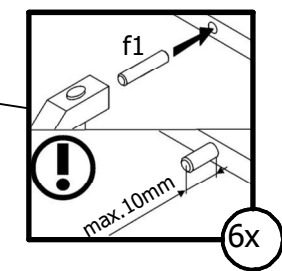
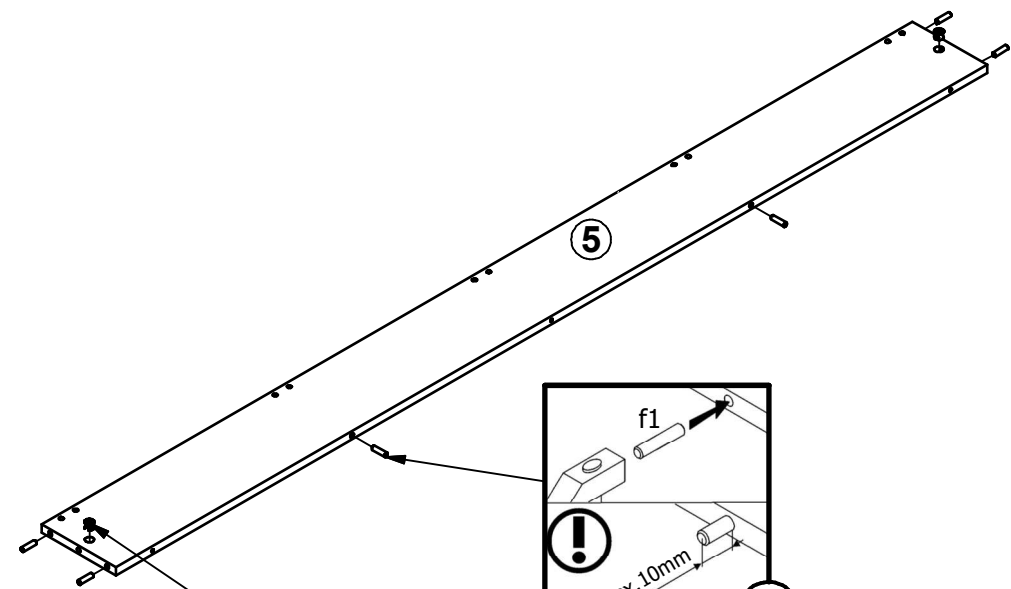
4x

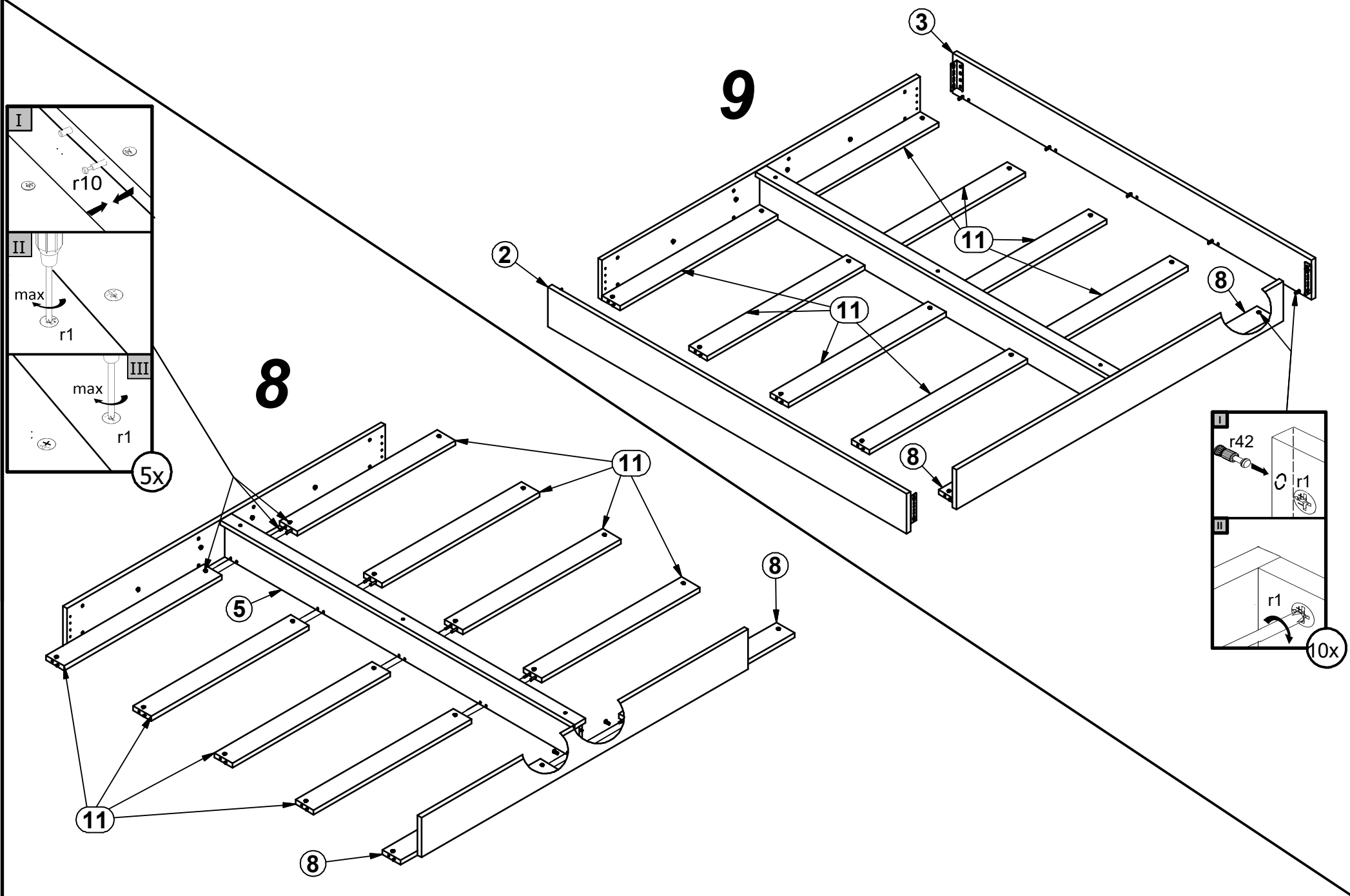


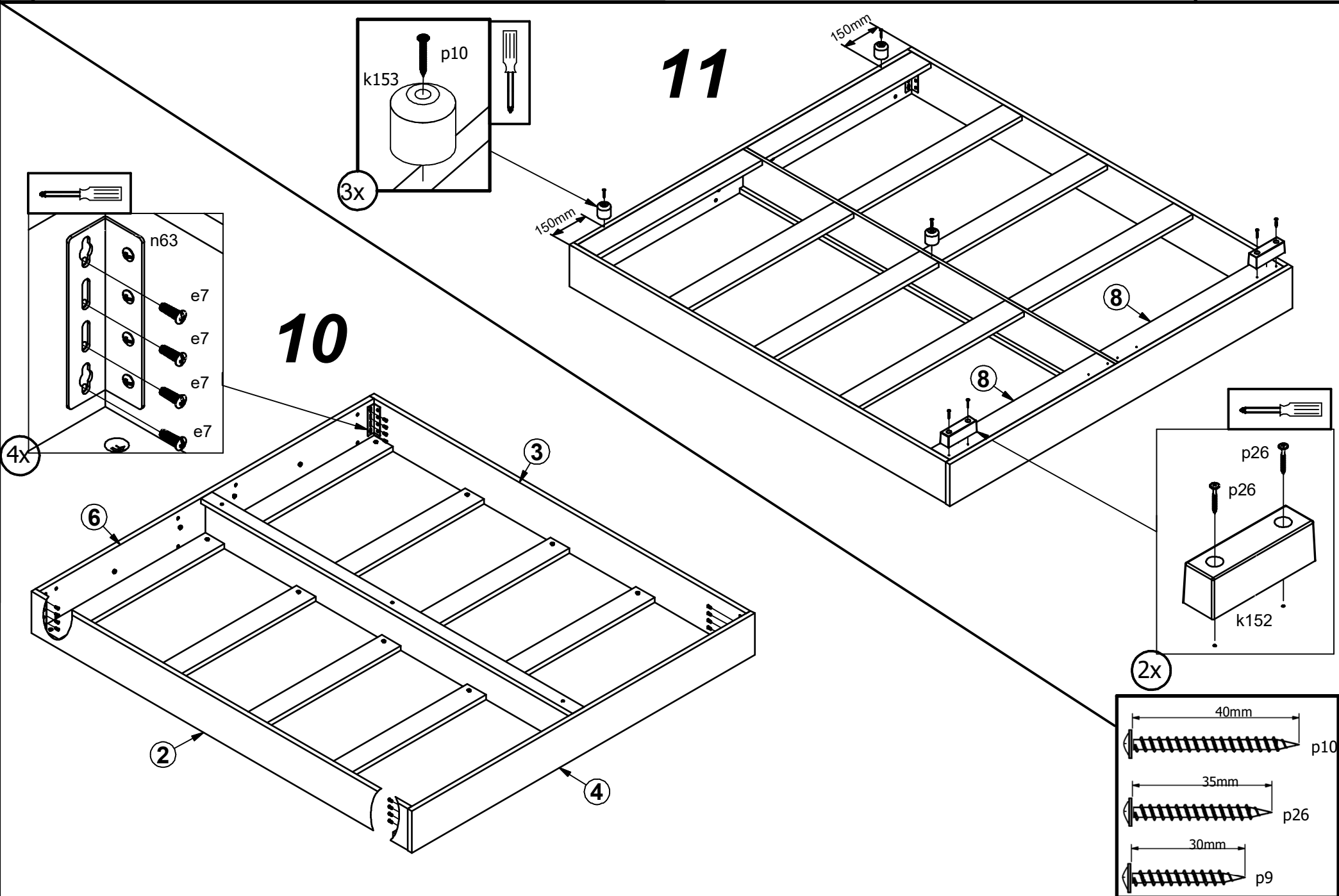
4x



5





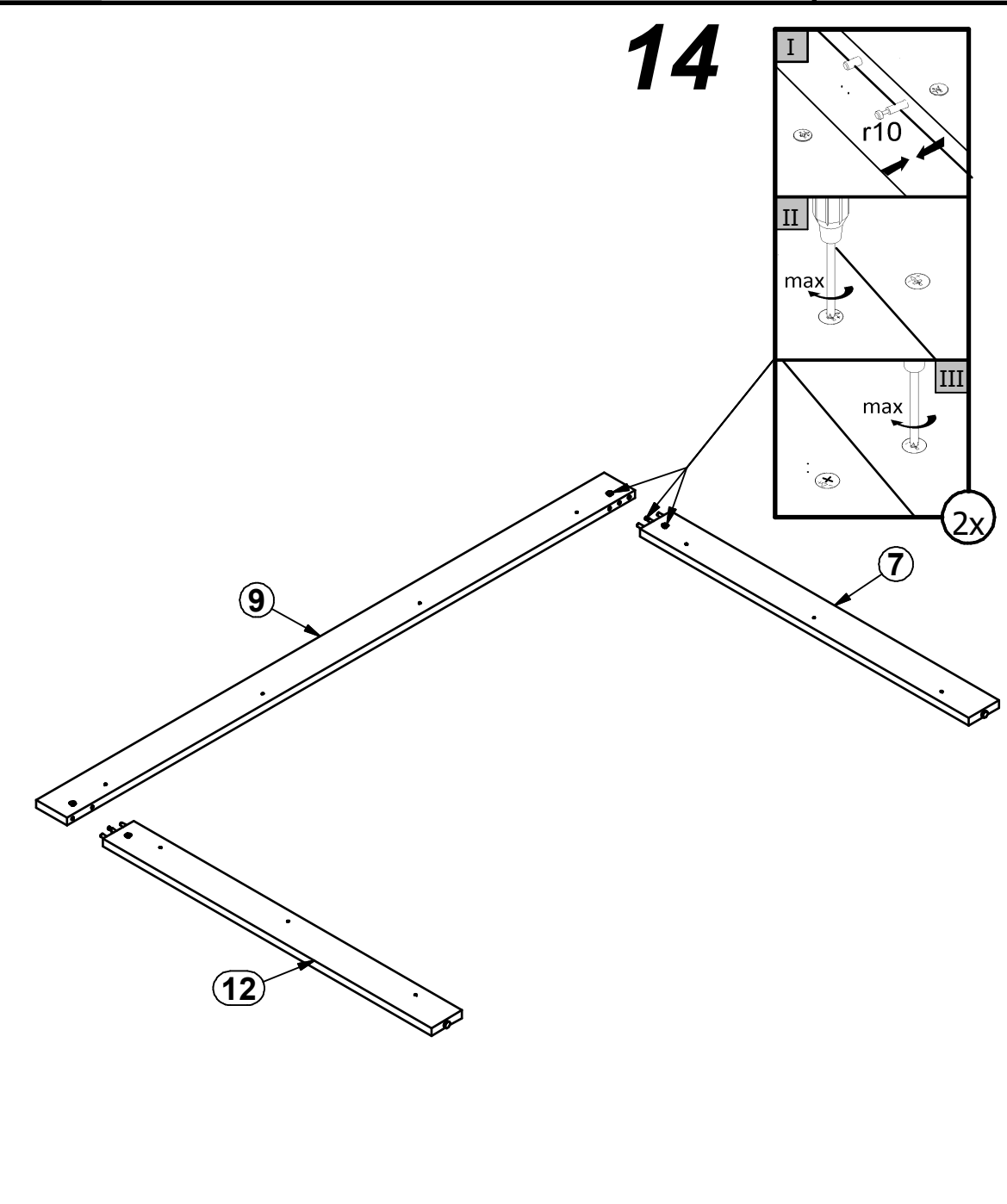
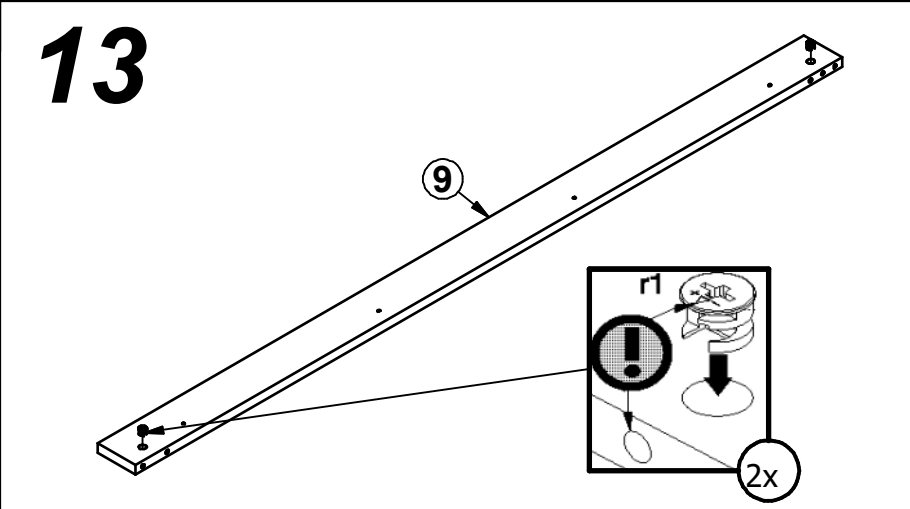
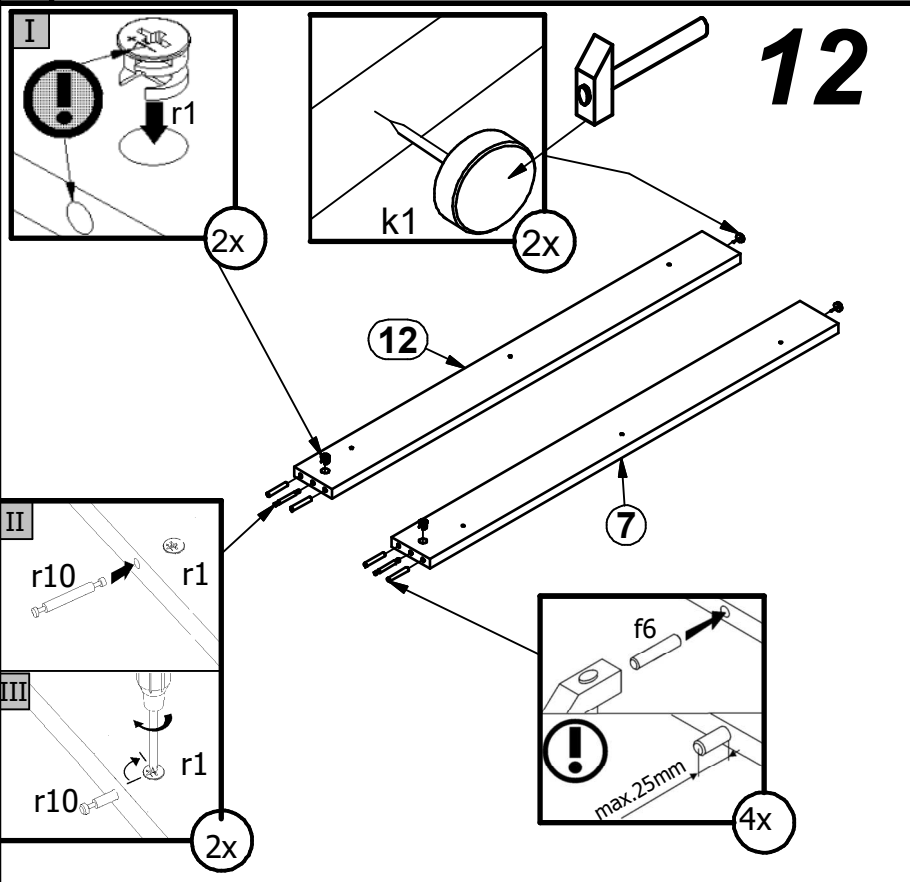


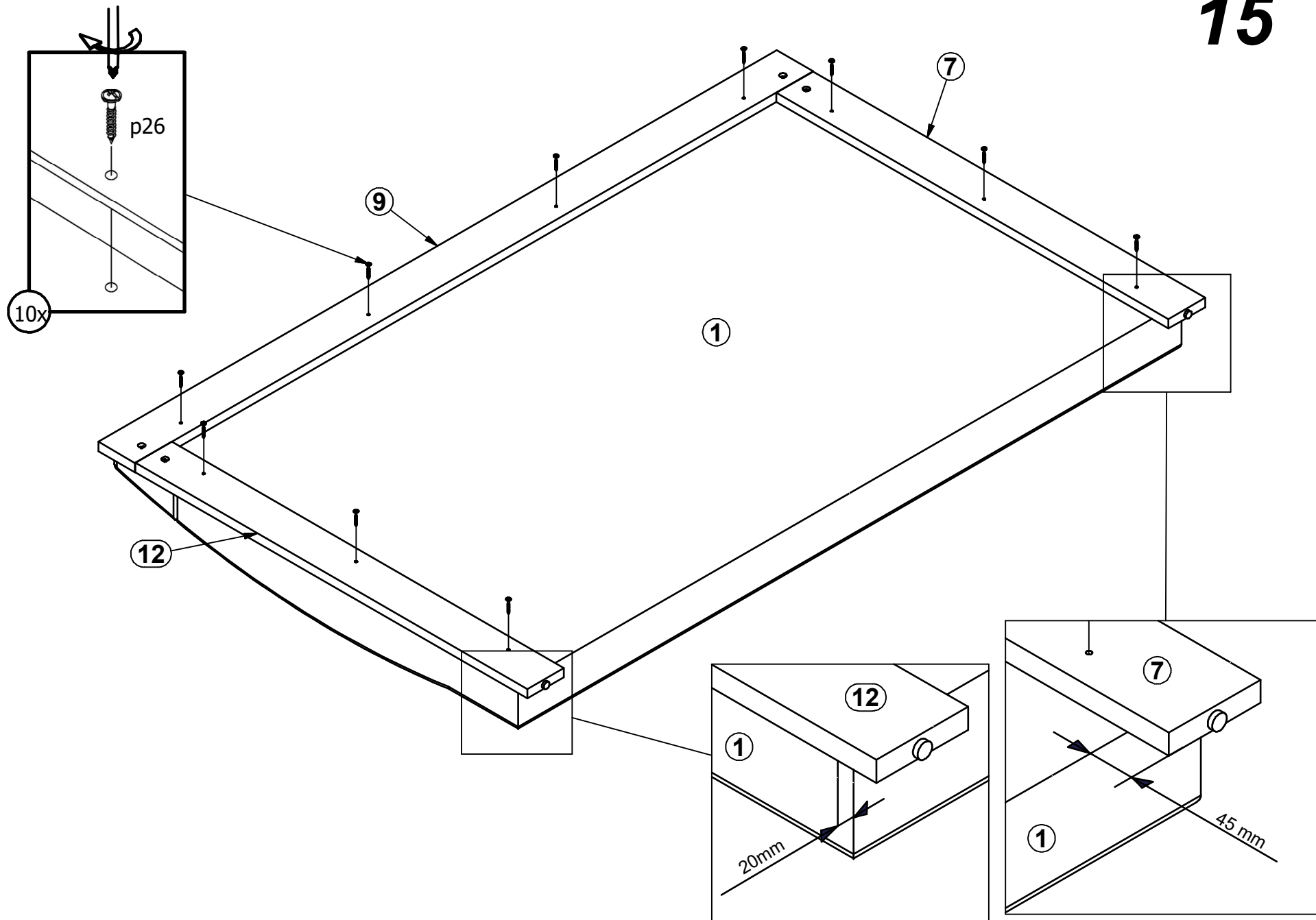
A

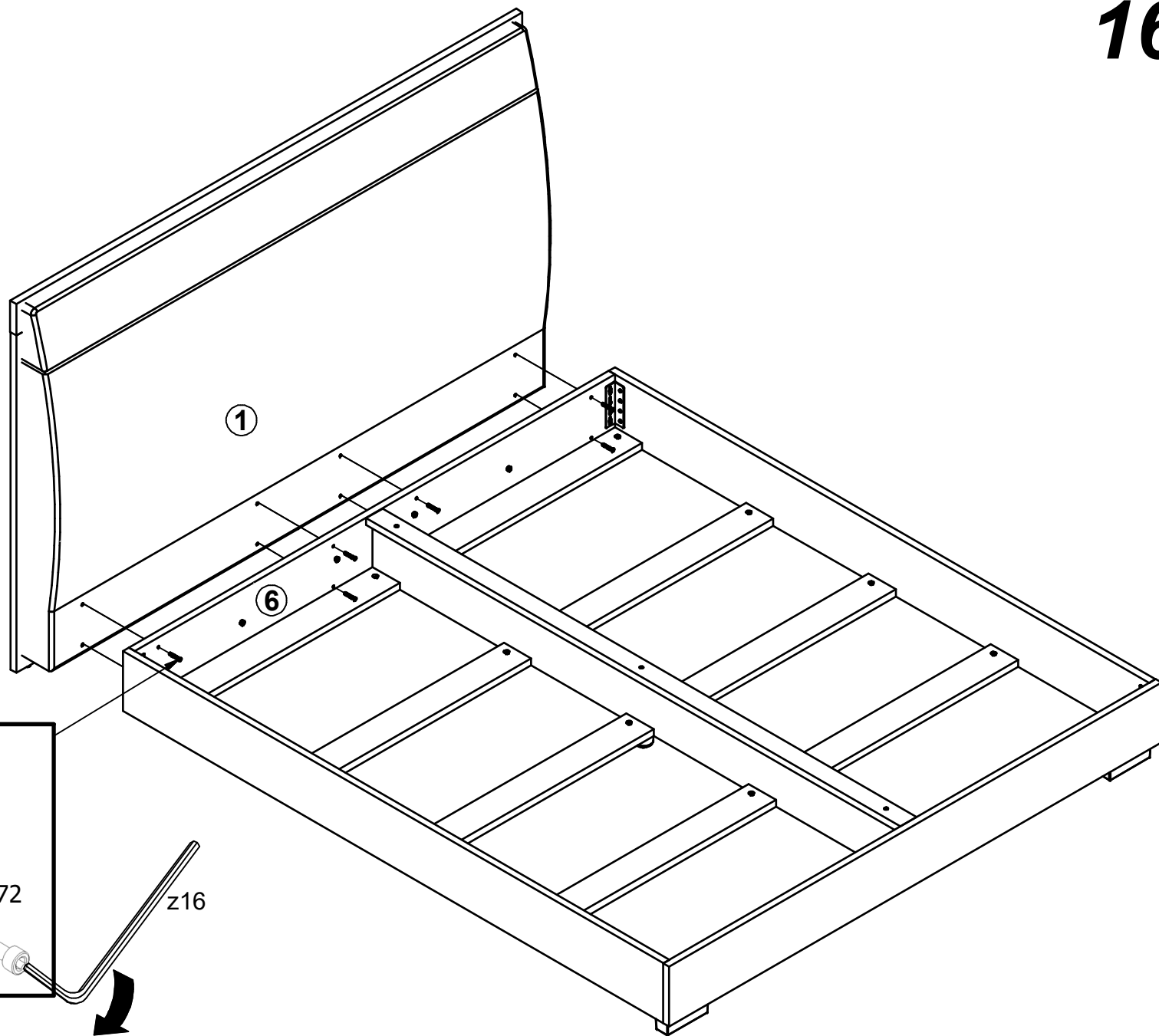
L125-LOZ_180

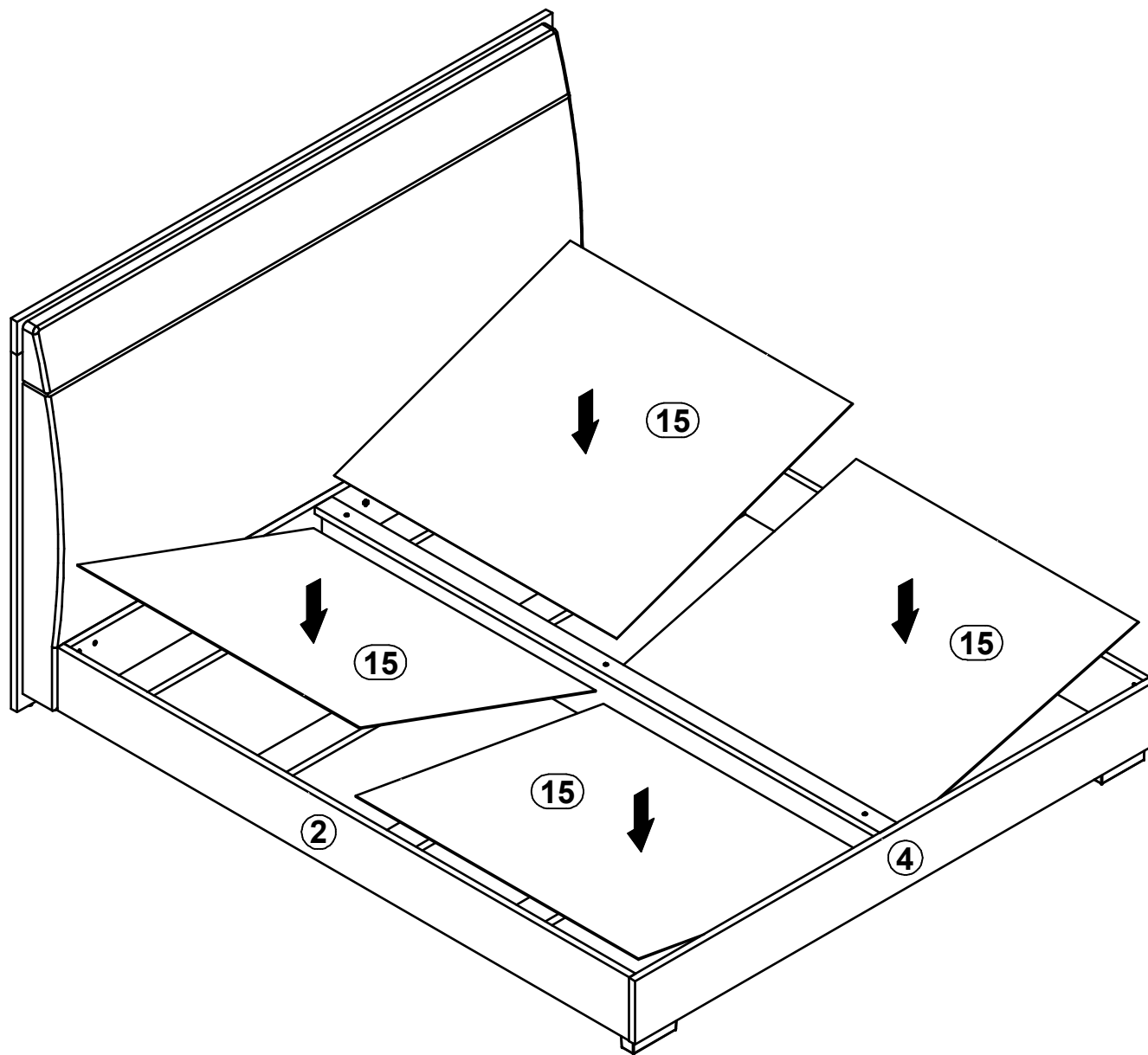
57-750

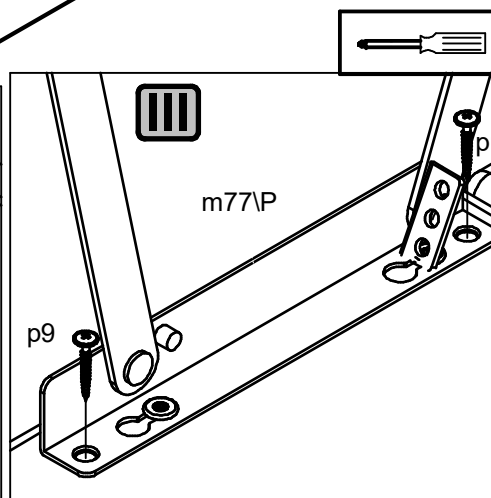
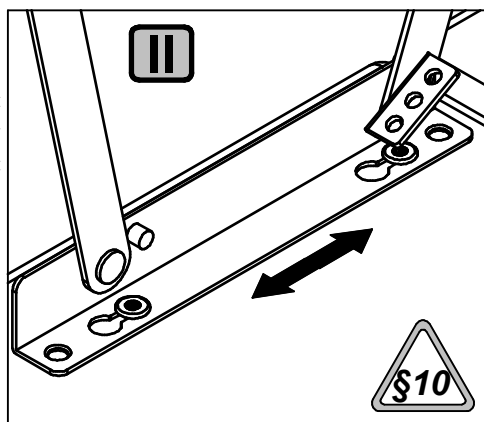
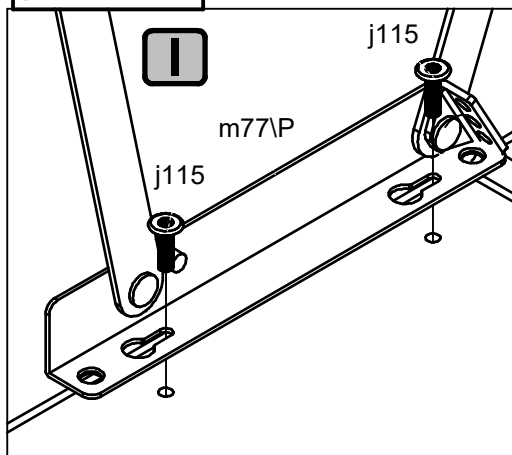
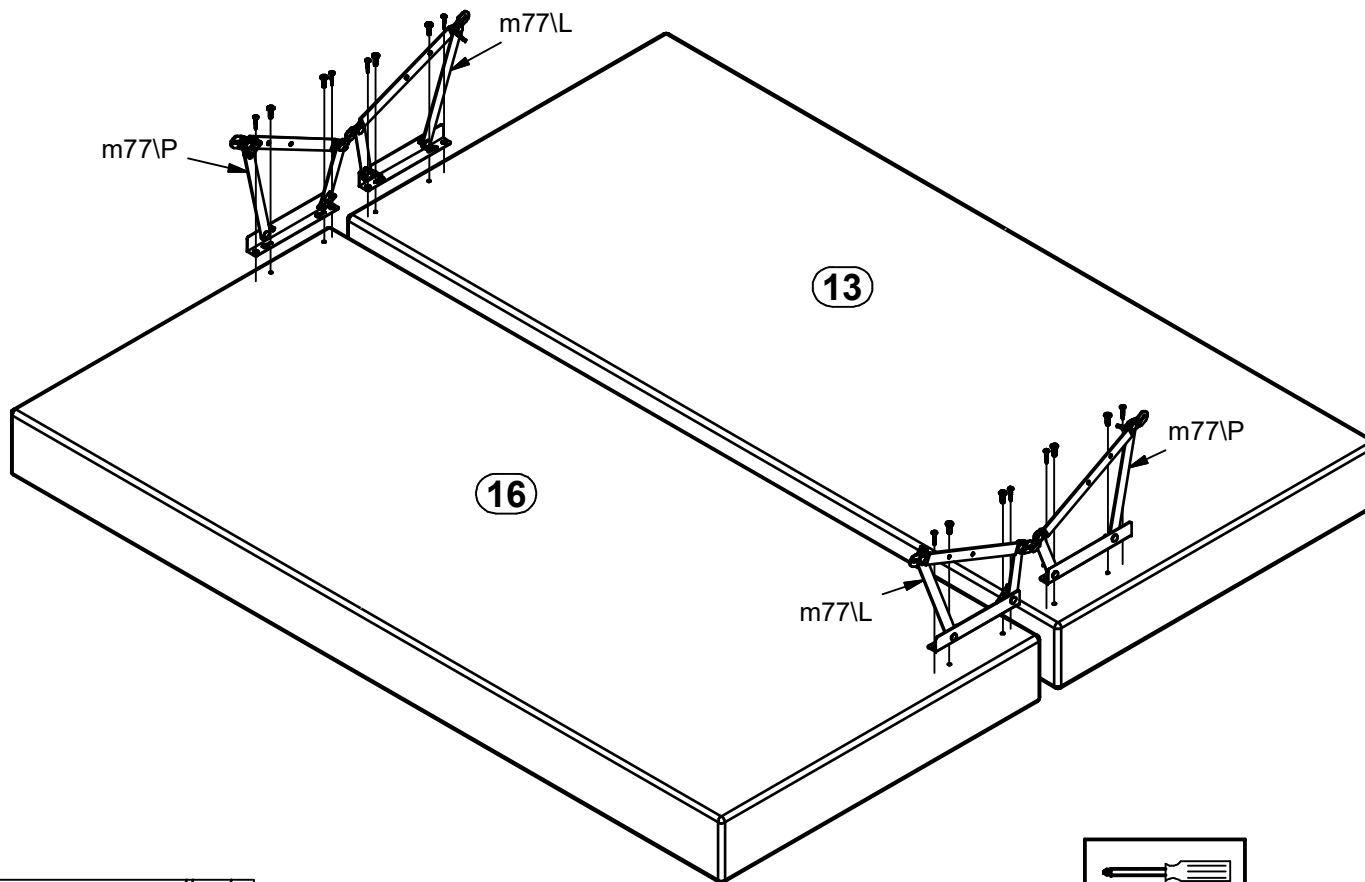
9/16



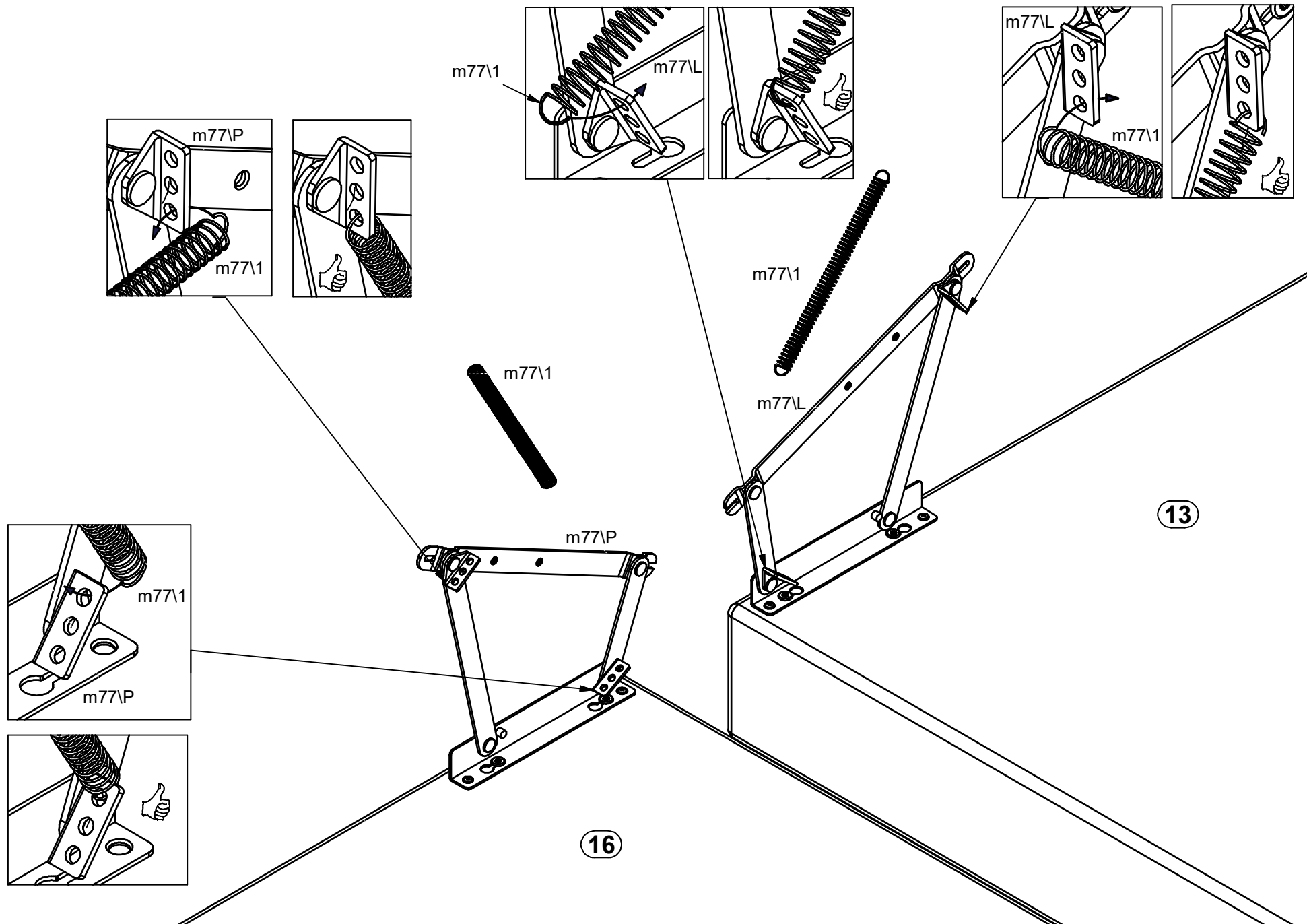




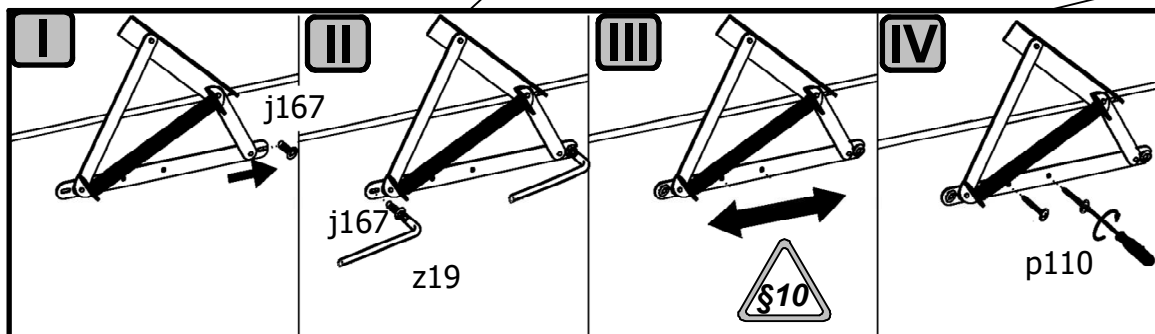
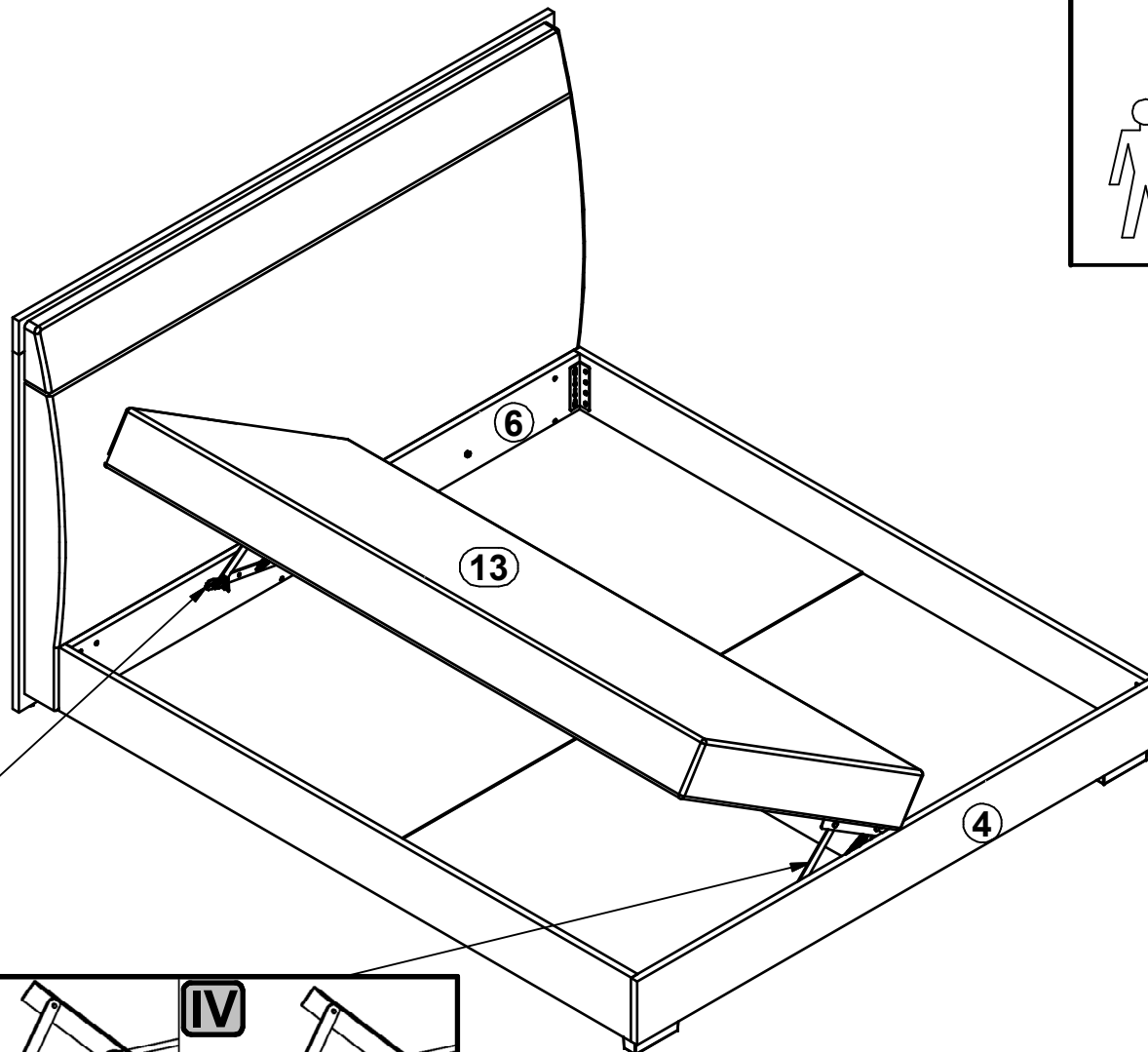
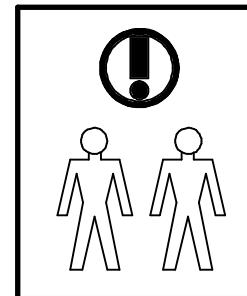




18



19



20

