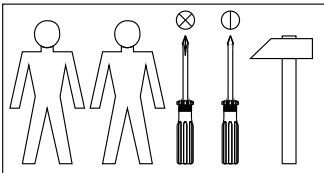
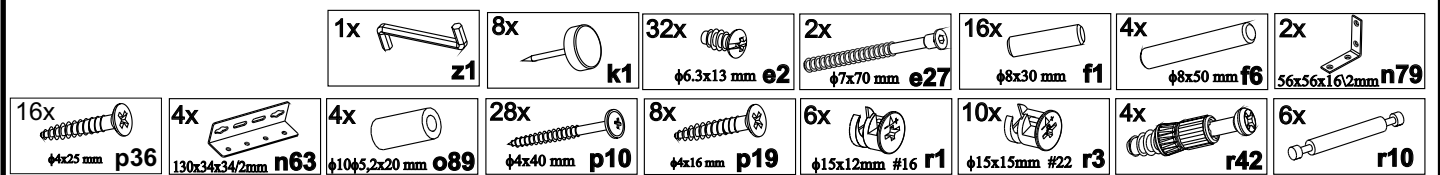


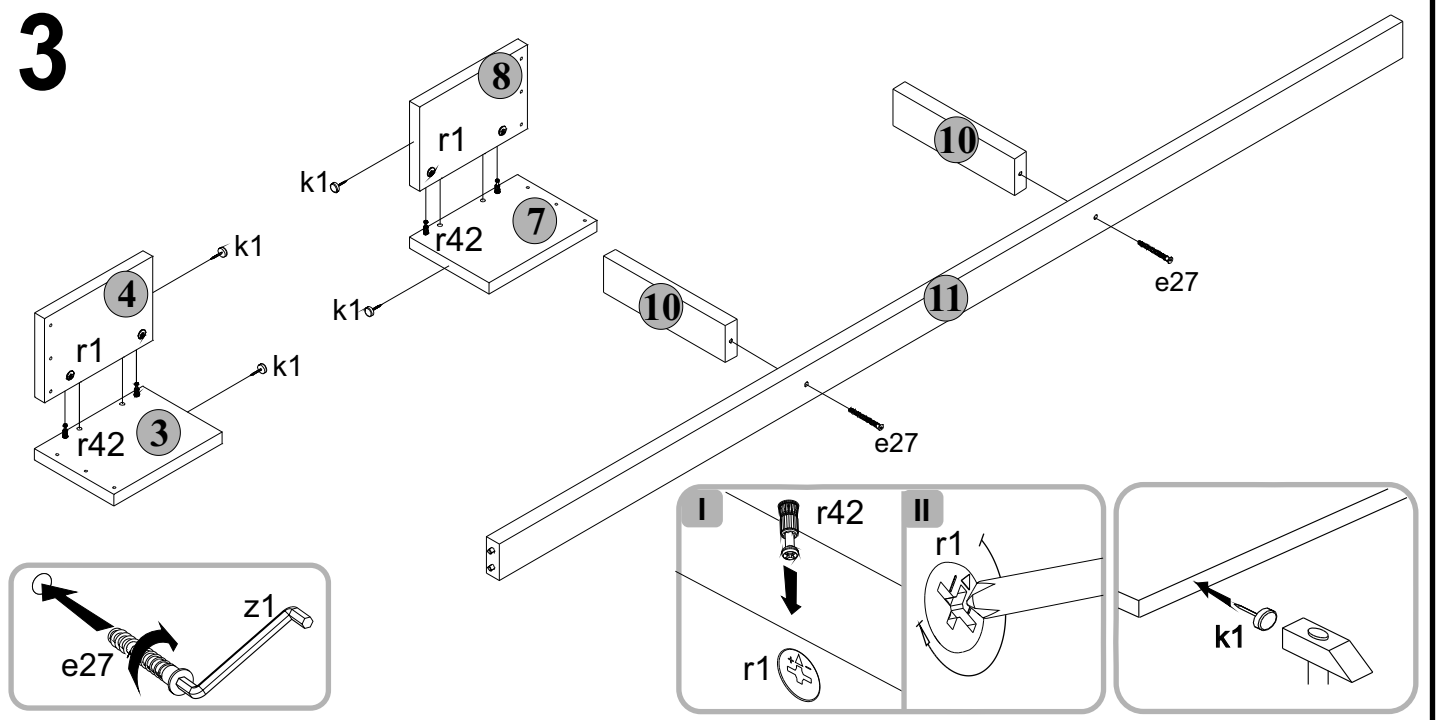
| A | B | C | D |
|----|----------|-------------|-----|
| 1 | S310-101 | 1997x185x22 | 1/2 |
| 2 | L21-514 | 1446x187x22 | 1/2 |
| 3 | L21-504 | 242x178x22 | 1/2 |
| 4 | L21-505 | 242x163x22 | 1/2 |
| 5 | L21-506 | 840x185x22 | 1/2 |
| 6 | L21-507 | 840x185x22 | 1/2 |
| 7 | L21-508 | 242x178x22 | 1/2 |
| 8 | L21-509 | 242x163x22 | 1/2 |
| 9 | L21-515 | 1076x628x15 | 2/2 |
| 10 | MZ1-706 | 274x70x27 | 1/2 |
| 11 | MZ1-707 | 2000x70x27 | 1/2 |
| 12 | ZZ1-747 | 1880x25x25 | 1/2 |



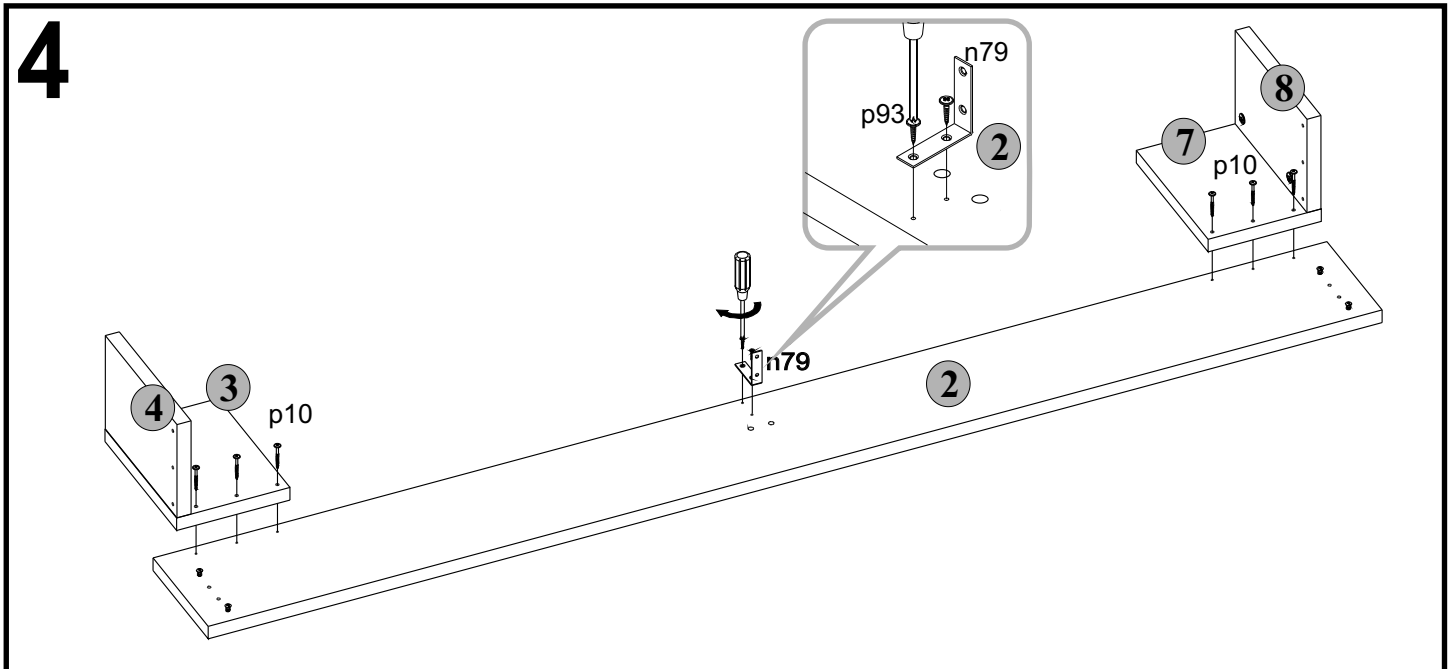
90min



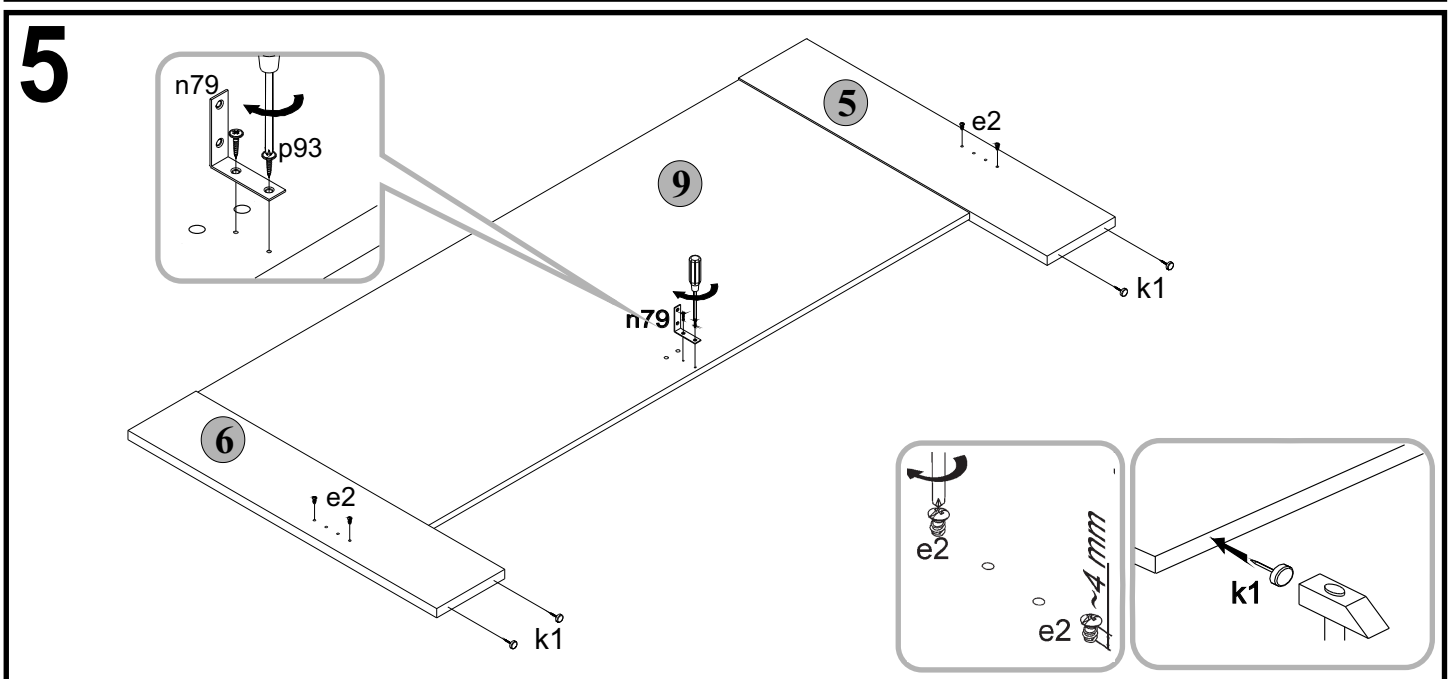
3



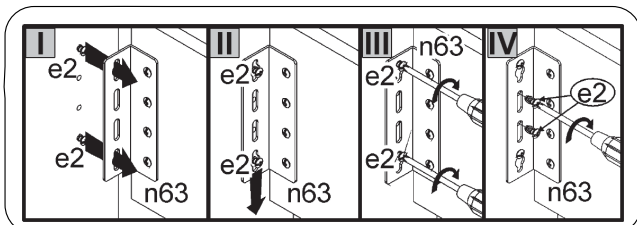
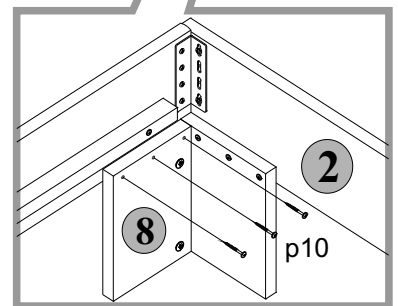
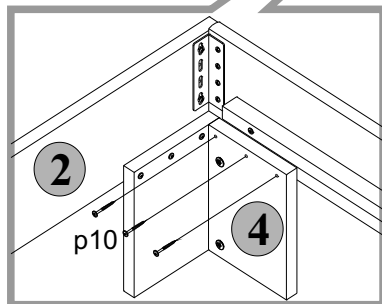
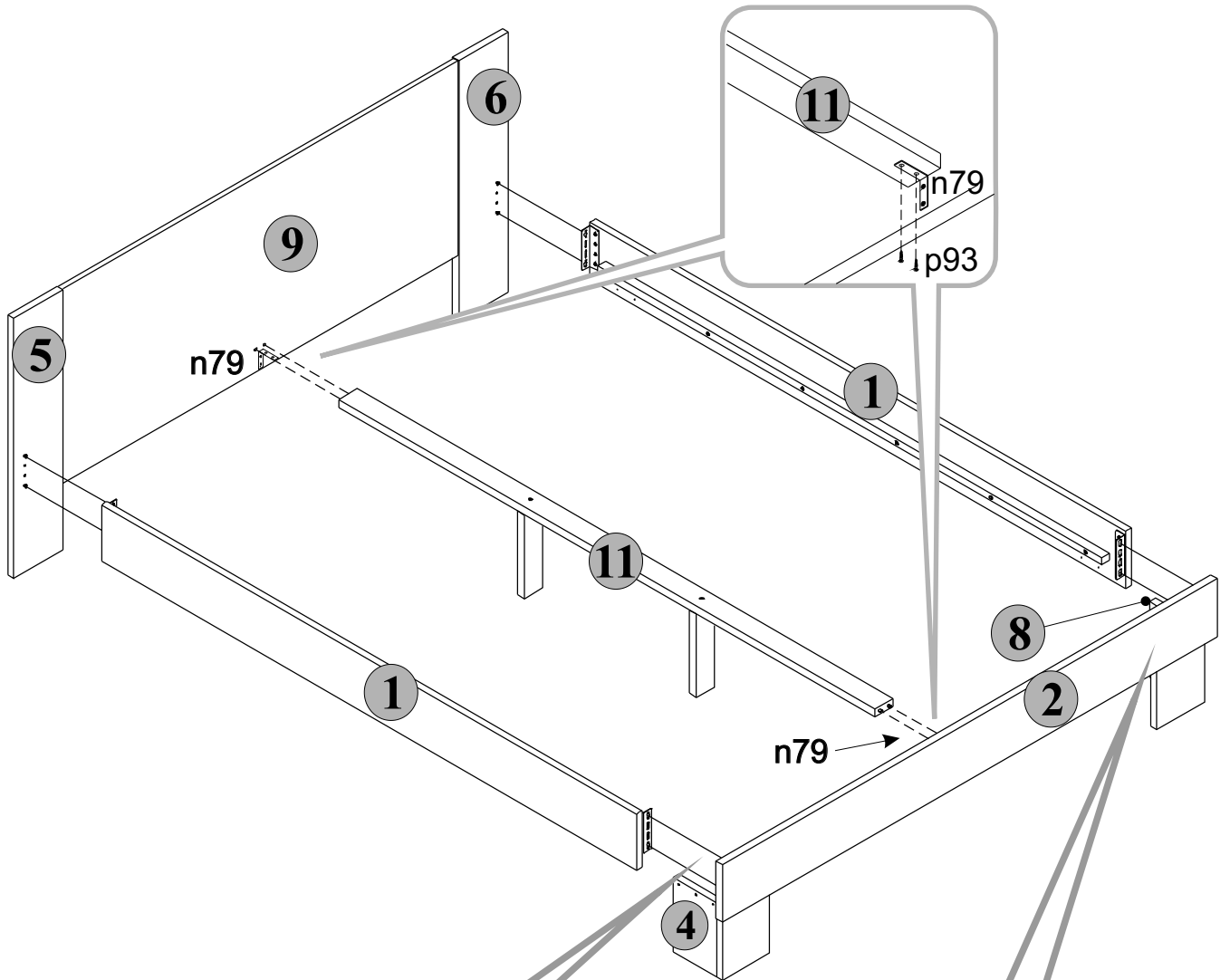
4



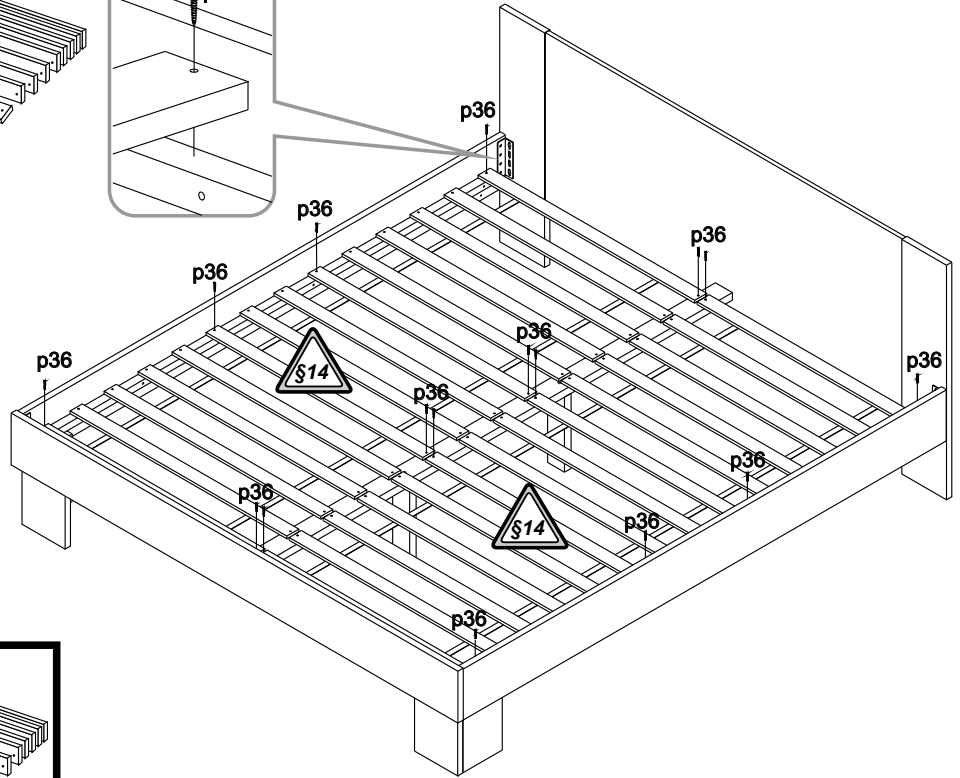
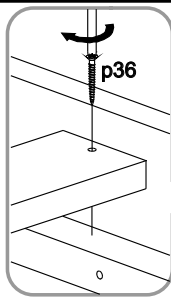
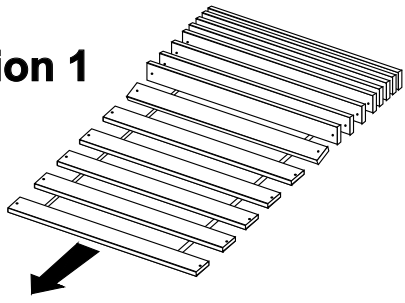
5



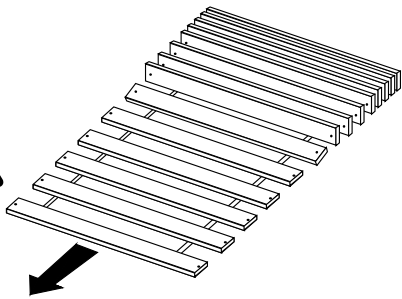
6



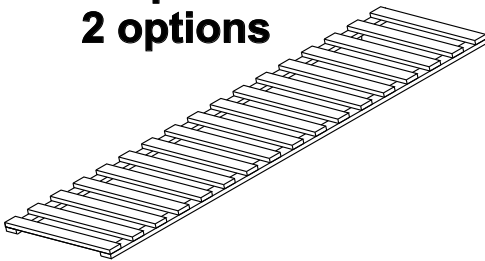
Option 1



7



**2 Optionen
2 options**



Option 2

