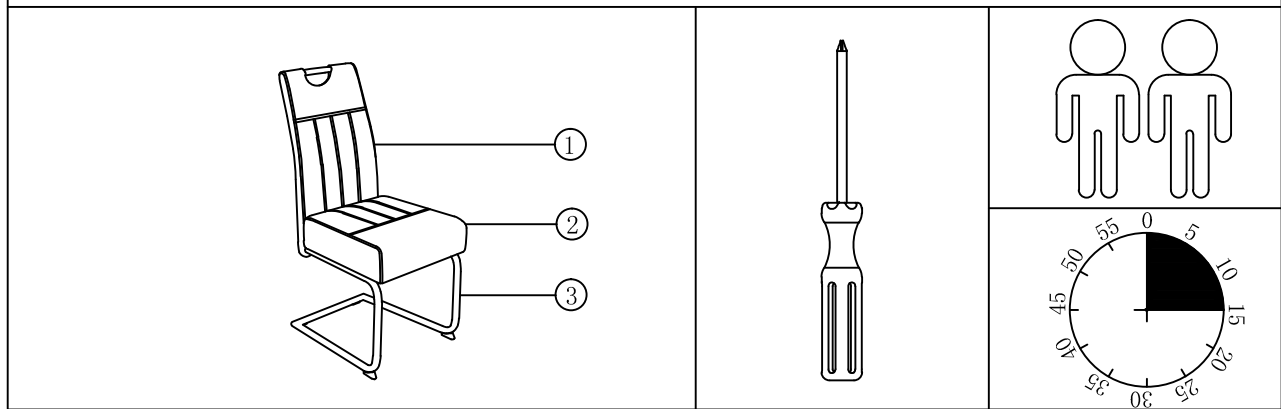


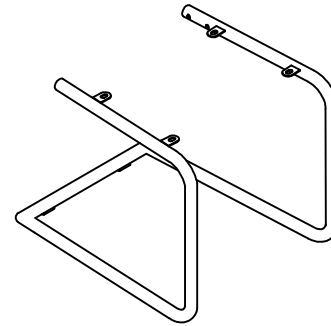
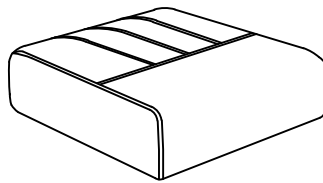
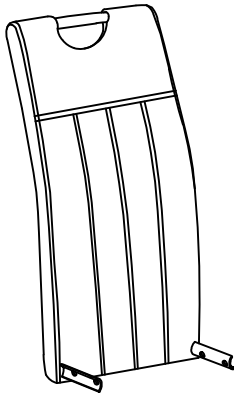
# Betty



1

2

3

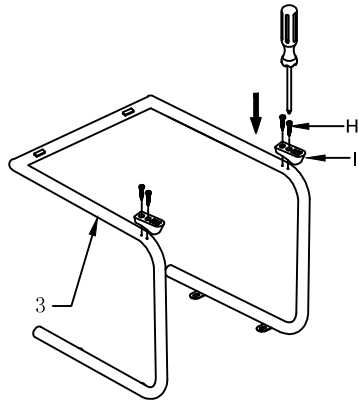





1	1x
2	1x
3	1x

A	M6X20	B	M8x20	C	Ø18xØ8x1.5	D	Ø18xØ6x1.5	E	M8	F	4MM
	4x		4x		4x		4x		4x		1x
G	M8	H	M4x20	I							
	1x		4x		2x						

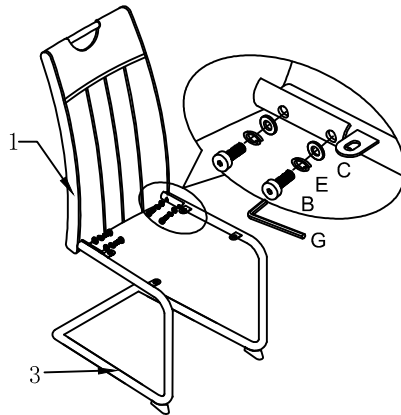
I.






1



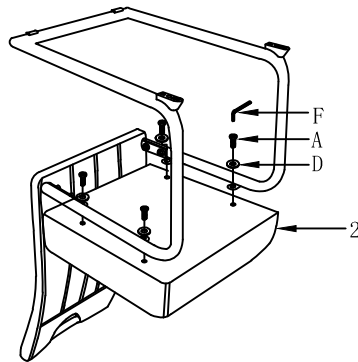
H	M4x20
	4x
I	
	2x
	





2



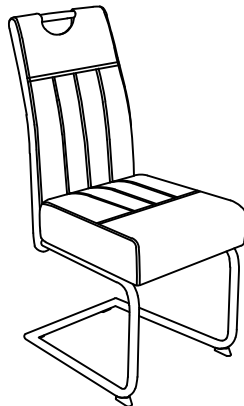
B	M8x20
	4x
C	Ø18xØ8x1.5
	4x
E	M8
	4x
G	M8
	1x
	

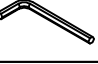
3



A	M6x20
	4x
D	Ø18xØ6x1.5
	4x
F	4MM
	1x
	

4



F	4MM
	1x
